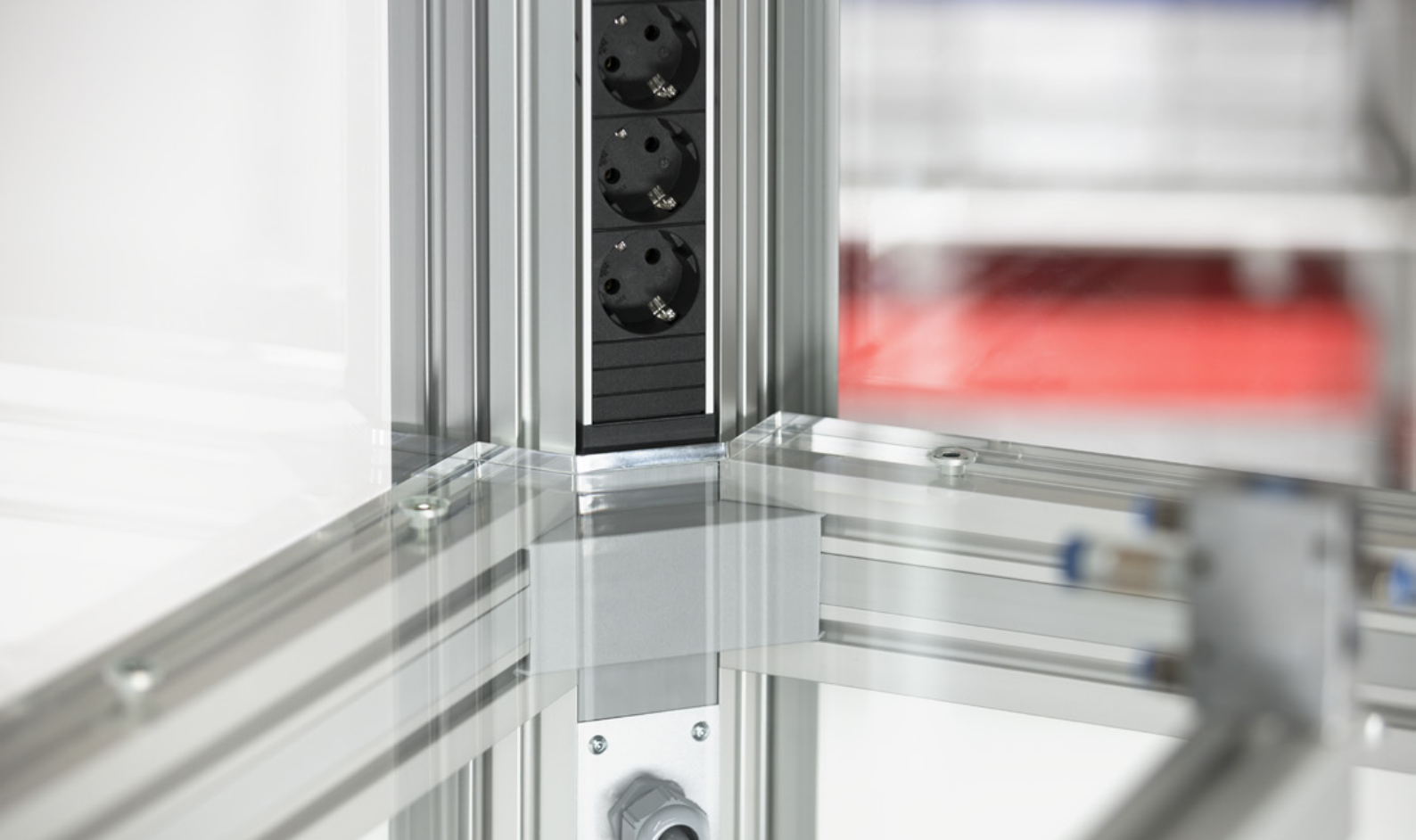


**item**



## Line XMS – the integrated machine concept

New Products 2012/ II



## XMS – the innovative item concept for integrated machine constructions.



6

### Profiles XMS

A stable frame for modular machines. Cutting-edge design right to the core – profiles with integrated cable conduits offer an easy solution for safely stowing cables and hoses.



9

### Profiles XMS – accessories

Cover Profiles seal the integrated cable conduits of Profiles XMS. Caps provide a neat solution for covering over edges, even on doors. Screw clips can be used to fasten accessories.



12

### Floor elements

Base Plates/Transport Plates ensure that machine frames have a stable footing. They also transfer forces to adjoining profiles, which boosts the rigidity of the construction.



14

### Doors XMS

Door Profiles XMS for snug fitting doors with low clearances. These profiles can accommodate panel elements that are 4 to 5 mm thick. Clamping Set XMS eliminates distortion in doors.



19

### Door Lock XMS

Protect man and machine. All the fastening screws in Door Lock X 8 Zn are safely covered over. The profile groove in the door gap is used to install the concealed fastening.



21

### Conduit Profiles XMS and accessories

Conduit Profiles K simply clip into the groove and can be installed in a matter of seconds with no need for screws. The interlocking connection ensures that cables and hoses stay in place even when the conduits are installed upside down.

Clean lines on the outside, ingenious details on the inside – Line XMS meets all the requirements of modular series production. Fully compatible with the item MB Building Kit System, the XMS system has three defining features:

1. Line XMS produces load-bearing constructions with compartmentalised functional sections, making it incredibly easy to build modular, maintenance-friendly structures.
2. Cables and hoses are safely routed through cable conduits that are integrated into the profiles. Everything is easily accessible but hidden from view.
3. Profiles XMS have closed outer surfaces to help keep production clean and seals that ensure doors close perfectly.

The integrated approach pursued by item puts your process first, not the installations. The machine frame and its functional sections help put your know-how centre stage.

Your ideas are worth it.

**The service section**

The top section provides space for control systems, air supply, lighting and cables. Electronic units for switchboxes, fan/filter modules and extraction systems can all be installed here without impacting on the geometry of the machine. It also supports convection processes with waste heat being extracted.

**Access points**

The doors of the XMS machine construction protect both process and personnel. The deformation-free frame structure is ideal for installing both full-height doors and smaller door sections that break up the construction. For example, users can ensure that drive equipment can be accessed without having to open up the production section. Seals between the door and frame prevent dirt getting in and noise and particles getting out.



**The process section**

This section houses the machine functions and interlinked production steps. Panels and doors can be installed as required to ensure operators can get a closer look at what's going on. All the openings in the frame are securely sealed. All-round seals keep everything clean and reduce noise levels. All cables and hoses run through the integrated cable conduits in the vertical and horizontal profiles. If required, special cable conduits can be run to any point inside a section.

**The supply section**

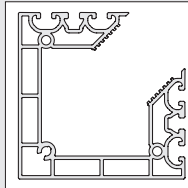
The lower section houses assemblies and cable and hose connections. Motors, pumps and electrical transformers provide the necessary power from behind the scenes.

# The advantages at a glance – innovative products for the perfect construction

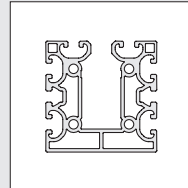
## The machine frame – strong and universal 6



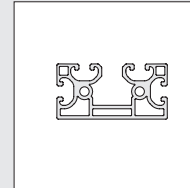
### Profiles with integrated cable conduits



Profile X 8 120x120  
K56 - XMS

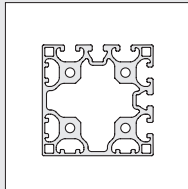


Profile X 8 80x80 2N  
K15 - XMS

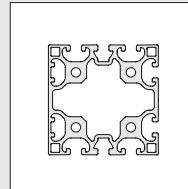


Profile X 8 80x40 2N  
K15 - XMS

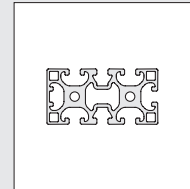
### Profiles XMS with seal grooves



Profile X 8 80x80  
4N90 - XMS



Profile X 8 80x80  
2N - XMS

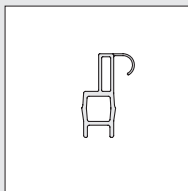
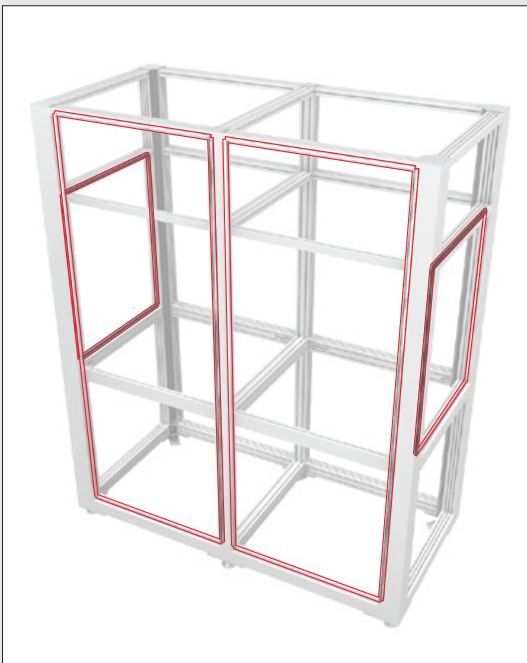


Profile X 8 80x40  
1N - XMS

### Profiles X

The Comprehensive Catalogue MB Building Kit System 8 contains Profiles X, which complement Profiles XMS in terms of both form and function.


## The seal – protecting against dirt and noise 14

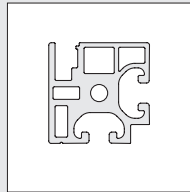


Door Lip Seal 8 - XMS

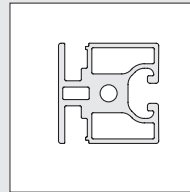


Lip Seal 4-5 mm - XMS

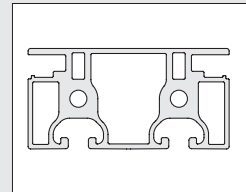
Doors XMS – sealed and stable  14



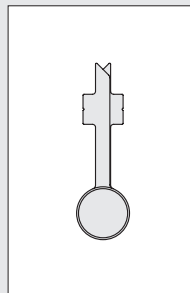
Door Profile X 8  
40x40 - XMS



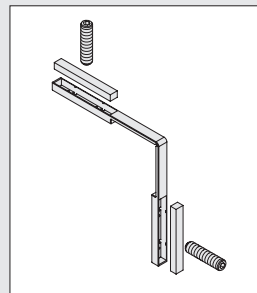
Door Profile X 8  
40x40-180° - XMS



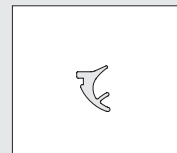
Door Profile X 8  
80x40-180° - XMS




Hinge 8 Al PP4 light

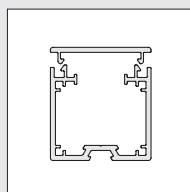
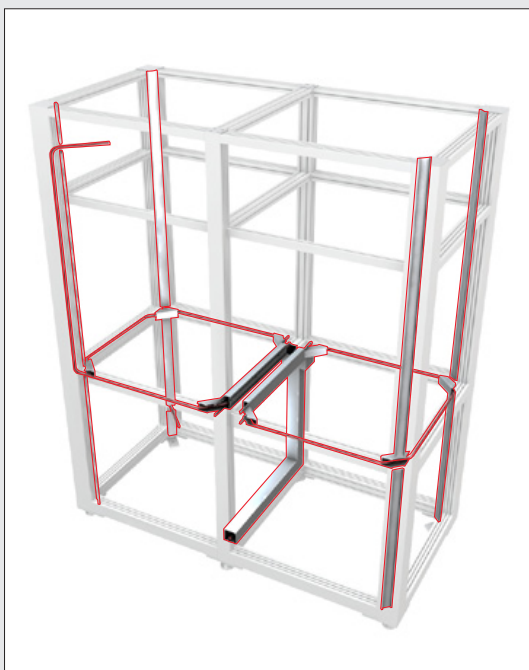


Clamping Set, Door Profile X  
8 - XMS

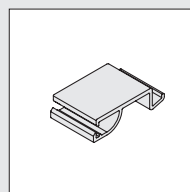


Lip Seal 4-5 mm - XMS

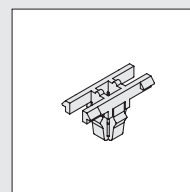
Cable conduits XMS – secure, easy-install protection  21



Conduits K



Catch, Conduit  
Profile K



Clip 8, Conduit  
Profile K



Product configurators and further information on profiles and accessories are available online at [www.item24.com](http://www.item24.com)



Frame-work.

Closed outer surface

Integrated cable conduit

Special groove for door seals



### Profiles X 8 - XMS

The XMS profiles are based on Line X. The contemporary profile shape with its clear contours and smooth side panels offers both practical functionality and timeless design. The new internal grooves in the XMS frame profiles are ideal for accommodating additional door seals. This makes it easier to create a sealed unit: simply add Lip Seal 8 - XMS to the existing aperture - no change in door dimensions is required.

Integrated cable conduits are another innovative feature of the profiles. The conduits ensure cables and hoses are routed safely and securely to where they are needed and are covered over with versatile Cover Profiles that can be adapted to suit needs. Vertical columns made from Profile X 8 120x120 K56 - XMS can also be used to house larger cables and hoses or group together switches in operating consoles.

When combined with fastening elements from Line 8 (preferably Automatic-Fastening Set 8) and accessory elements such as Base Plates/Transport Plates XMS, these profiles can be built into strong basic frames for production machines that can be configured to suit requirements.



The integrated cable conduits can be sealed with plastic Cover Profiles.



The internal cavity of Profile X 8 120x120 K56 - XMS is large enough to accommodate switches and the associated connections.

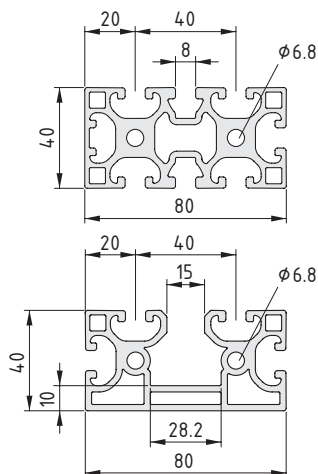


Conduit Corner Cap 8 40 - XMS



Materials used in all the following products:

Al, anodized



Profile X 8 80x40 1N - XMS

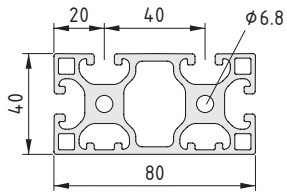


A [cm <sup>2</sup> ]	m [kg/m]	I <sub>x</sub> [cm <sup>4</sup> ]	I <sub>y</sub> [cm <sup>4</sup> ]	W <sub>x</sub> [cm <sup>3</sup> ]	W <sub>y</sub> [cm <sup>3</sup> ]	
12.89	3.48	18.20	74.59	9.10	18.42	
natural, cut-off max. 6000 mm						0.0.649.38
natural, 1 pce., length 6000 mm						0.0.649.19

Profile X 8 80x40 2N K15 - XMS



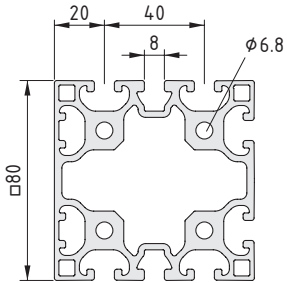
A [cm <sup>2</sup> ]	m [kg/m]	I <sub>x</sub> [cm <sup>4</sup> ]	I <sub>y</sub> [cm <sup>4</sup> ]	W <sub>x</sub> [cm <sup>3</sup> ]	W <sub>y</sub> [cm <sup>3</sup> ]	
10.87	2.94	17.63	70.56	8.21	17.64	
natural, cut-off max. 6000 mm						0.0.643.07
natural, 1 pce., length 6000 mm						0.0.643.06



#### Profile X 8 80x40 2N light



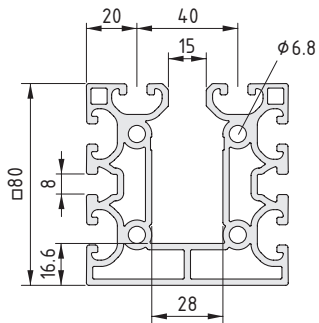
A [cm <sup>2</sup> ]	m [kg/m]	I <sub>x</sub> [cm <sup>4</sup> ]	I <sub>y</sub> [cm <sup>4</sup> ]	W <sub>x</sub> [cm <sup>3</sup> ]	W <sub>y</sub> [cm <sup>3</sup> ]
12.19	3.29	19.63	73.11	9.58	18.28
natural, cut-off max. 6000 mm					
natural, 1 pce., length 6000 mm					



#### Profile X 8 80x80 2N - XMS



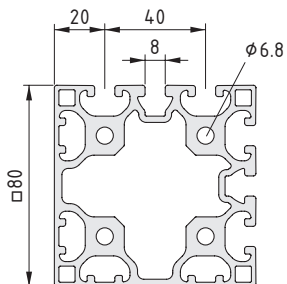
A [cm <sup>2</sup> ]	m [kg/m]	I <sub>x</sub> [cm <sup>4</sup> ]	I <sub>y</sub> [cm <sup>4</sup> ]	W <sub>x</sub> [cm <sup>3</sup> ]	W <sub>y</sub> [cm <sup>3</sup> ]
20.05	5.41	135.42	136.27	33.27	34.07
natural, cut-off max. 6000 mm					
natural, 1 pce., length 6000 mm					



#### Profile X 8 80x80 2N K15 - XMS



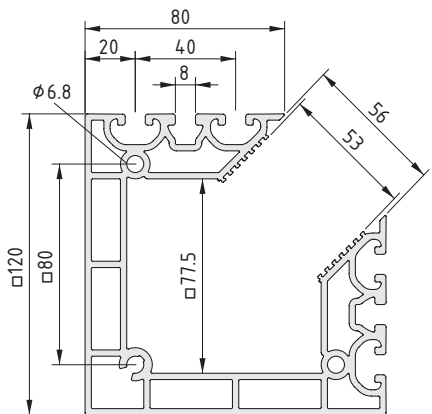
A [cm <sup>2</sup> ]	m [kg/m]	I <sub>x</sub> [cm <sup>4</sup> ]	I <sub>y</sub> [cm <sup>4</sup> ]	W <sub>x</sub> [cm <sup>3</sup> ]	W <sub>y</sub> [cm <sup>3</sup> ]
18.31	4.94	115.62	129.59	28.26	32.40
natural, cut-off max. 6000 mm					
natural, 1 pce., length 6000 mm					



#### Profile X 8 80x80 4N90 - XMS



A [cm <sup>2</sup> ]	m [kg/m]	I <sub>x</sub> [cm <sup>4</sup> ]	I <sub>y</sub> [cm <sup>4</sup> ]	W <sub>x</sub> [cm <sup>3</sup> ]	W <sub>y</sub> [cm <sup>3</sup> ]
20.50	5.53	139.84	139.84	34.79	34.79
natural, cut-off max. 6000 mm					
natural, 1 pce., length 6000 mm					



#### Profile X 8 120x120 K56 - XMS



A [cm <sup>2</sup> ]	m [kg/m]	I <sub>x</sub> [cm <sup>4</sup> ]	I <sub>y</sub> [cm <sup>4</sup> ]	W <sub>x</sub> [cm <sup>3</sup> ]	W <sub>y</sub> [cm <sup>3</sup> ]
24.32	6.57	290.01	528.78	43.57	79.45
natural, cut-off max. 6000 mm					
natural, 1 pce., length 6000 mm					



Keeping it clean.



## Accessories for Profiles XMS

Cover Profiles K seal the integrated cable conduits of Profiles XMS, ensuring all cables and hoses are safe and secure. The covers, which do not need to be screwed into place, can be easily removed when carrying out maintenance and service work.

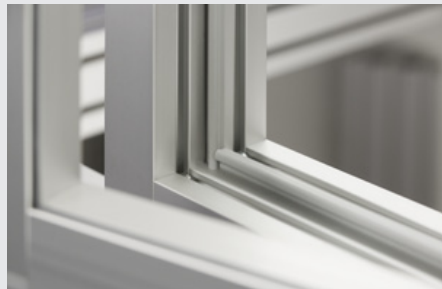
Steel screw clips provide additional fastening options within the cable conduit of Profile X 8 120x120 K56 - XMS. These universal fixings can be used with a broad range of accessories. Ridges running along the full length of the profile ensure that the screw clips can be installed wherever they are needed.

Caps are used to seal off the profiles in Line XMS, covering over cut edges and stopping dirt from penetrating the frame.

Door Lip Seal 8 - XMS, which is installed in the special groove of Profiles XMS, keeps door gaps sealed shut.



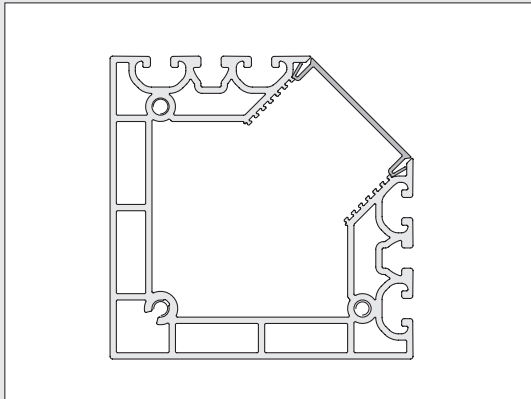
Cover Profile K



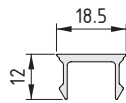
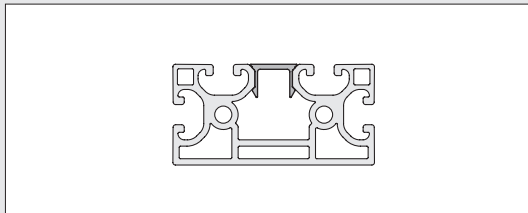
Door Lip Seal 8 - XMS



Screw Clip - XMS



Cover Profiles K seal the integrated cable conduits of Profiles XMS – simply cut them to length and clip them into place!



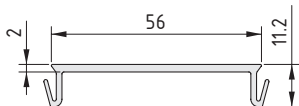
**Cover Profile 15 K**



PVC  
m = 82.0 g

grey similar to RAL 7042, 1 pce., length 2000 mm

0.0.643.81



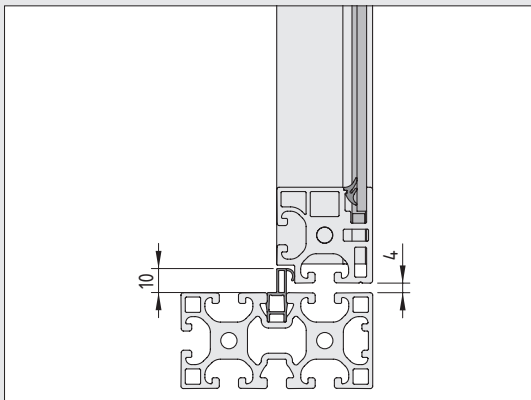
**Cover Profile 56 K**



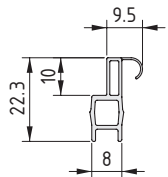
PVC  
m = 214.0 g

grey similar to RAL 7042, 1 pce., length 2000 mm

0.0.643.80



Door Lip Seal 8 - XMS projects into the special rebate on Door Profile X 8 40x40 - XMS, creating an all-round seal. To accommodate the seal, doors must be designed with an opening clearance of 4 mm. The protruding Door Lip Seal 8 - XMS reduces the open aperture of the frame by 10 mm all the way around.



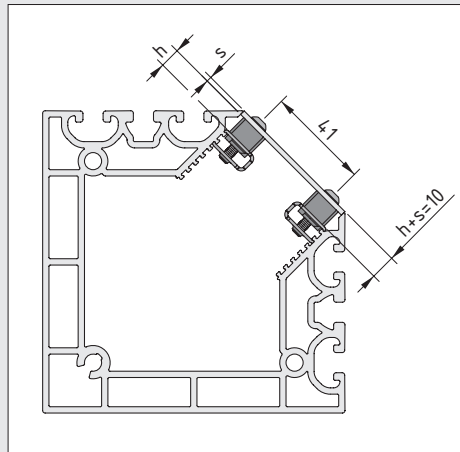
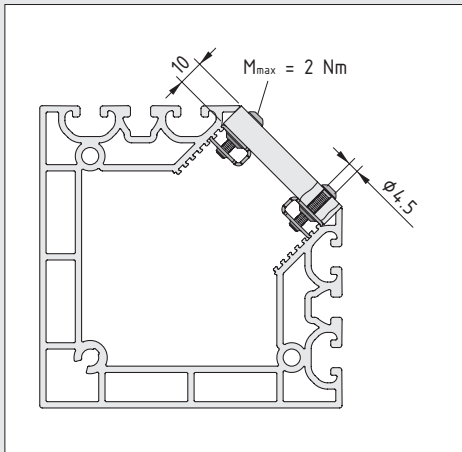
**Door Lip Seal 8 - XMS**



PVC  
m = 90.0 g

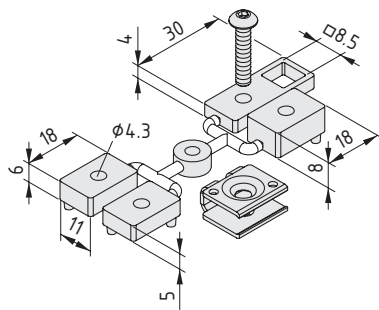
grey similar to RAL 7042, 1 pce., length 3000 mm

0.0.649.89



Panel s [mm]	Height adjuster h [mm]
2	8
4	6
5	5
6	4
10	-

When combined with a height adjuster, Screw Clip - XMS can be used to fix installation elements flush with the profile contour. Four height adjusters of different thicknesses are supplied.



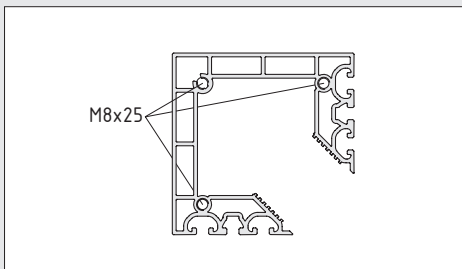
**Screw Clip - XMS**



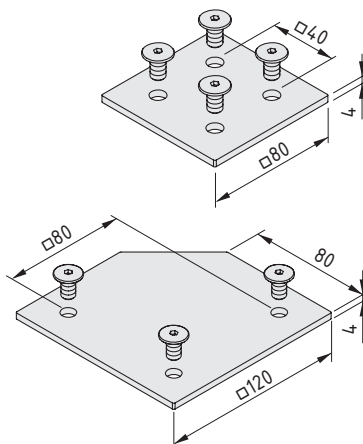
Clip, St, bright zinc-plated  
 4 height adjusters, PA-GF, black  
 Button-Head Screw ISO 7580-M4x20, St, bright zinc-plated  
 m = 21.3 g

1 set

0.0.652.72



Threads need to be tapped into the core bores of the profiles in order to fix the robust aluminium Caps in place.



**Cap X 8 80x80 Al**



Cap, Al white aluminium similar to RAL 9006  
 4 dome-head screws M8x14, St, bright zinc-plated  
 m = 97.0 g

1 set

0.0.651.39

**Cap X 8 120x120-45° Al**



Cap, Al white aluminium similar to RAL 9006  
 3 dome-head screws M8x14, St, bright zinc-plated  
 m = 166.0 g

1 set

0.0.651.81



Firmly rooted.

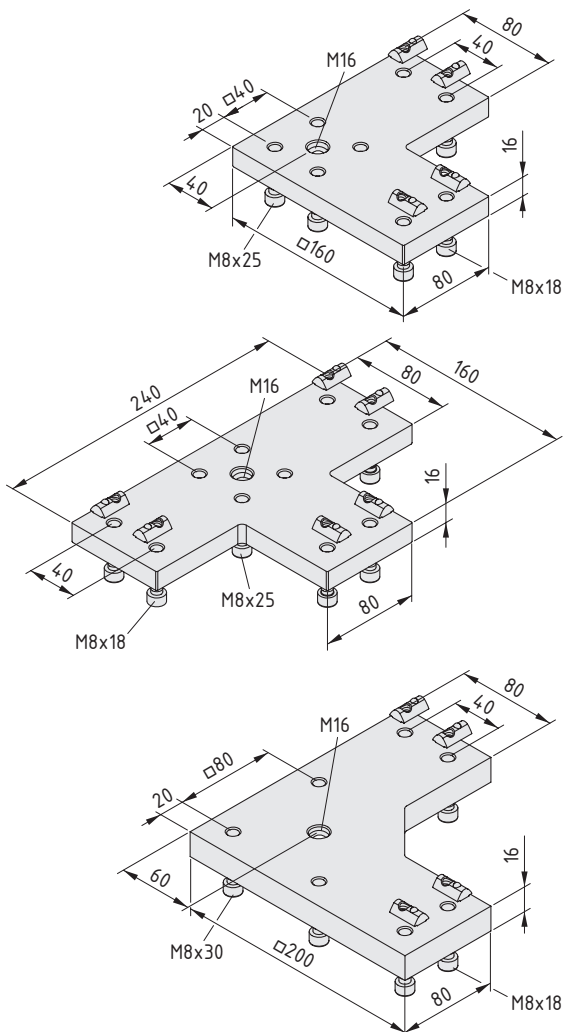
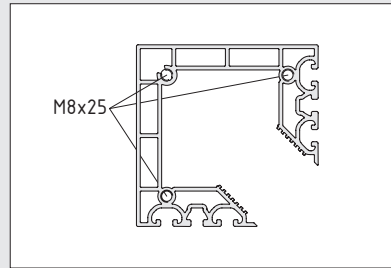
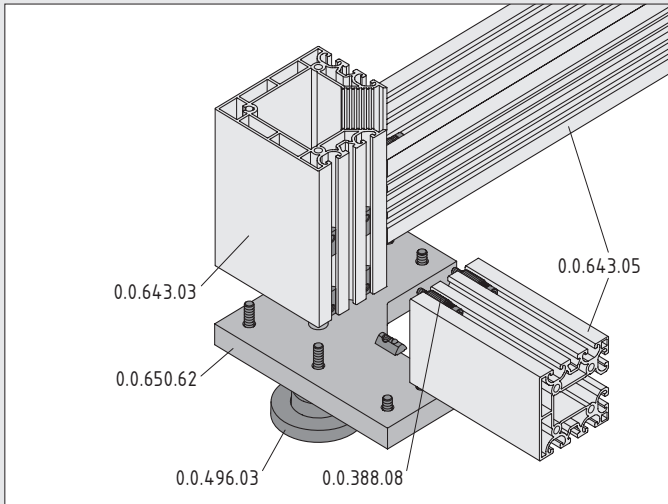
For tensile and compressive loads

Increases the rigidity of the frame



## Base Plates/Transport Plates X 8

These special Base Plates/Transport Plates provide added stability for constructions built using Line XMS. Designed as a flat angle bracket, they require relatively little space. However, the Base Plates/Transport Plates also transfer forces safely into adjacent horizontal profiles, without putting added strain on profile fastenings. This provides effective support for the fastening elements and boosts the rigidity of the machine frame when it is moved.



**Base Plate/Transport Plate X 8 160x160-90° M16**



Al, white aluminium similar to RAL 9006  
 4 Hexagon Socket Head Cap Screws DIN 912-M8x25, St, bright zinc-plated  
 4 Hexagon Socket Head Cap Screws DIN 912-M8x18, St, bright zinc-plated  
 8 washers DIN 433-8.4, St, bright zinc-plated  
 4 T-Slot Nuts 8 St M8, St, bright zinc-plated  
 m = 925.0 g

1 set 0.0.652.61

**Base Plate/Transport Plate X 8 240x160-2x90° M16**



Al, white aluminium similar to RAL 9006  
 4 Hexagon Socket Head Cap Screws DIN 912-M8x25, St, bright zinc-plated  
 6 Hexagon Socket Head Cap Screws DIN 912-M8x18, St, bright zinc-plated  
 10 washers DIN 433-8.4, St, bright zinc-plated  
 6 T-Slot Nuts 8 St M8, St, bright zinc-plated  
 m = 1.2 kg

1 set 0.0.652.63

**Base Plate/Transport Plate X 8 200x200-90° M16**



Al, white aluminium similar to RAL 9006  
 4 Hexagon Socket Head Cap Screws DIN 912-M8x18, St, bright zinc-plated  
 3 Hexagon Socket Head Cap Screws DIN 912-M8x30, St, bright zinc-plated  
 7 washers DIN 433-8.4, St, bright zinc-plated  
 4 T-Slot Nuts 8 St M8, St, bright zinc-plated  
 m = 1.2 kg

1 set 0.0.650.62



Perfect closure.

For flush fitting doors

Distortion-free design

All-round seal



## Door Profile X 8 - XMS

The XMS system includes profiles designed specifically for doors. These Door Profiles accommodate closed panel elements that are 4 – 5 mm thick. Lip Seals stop doors from flapping and rattling and ensure a dust-tight closure. This results in doors that are sealed on all sides.

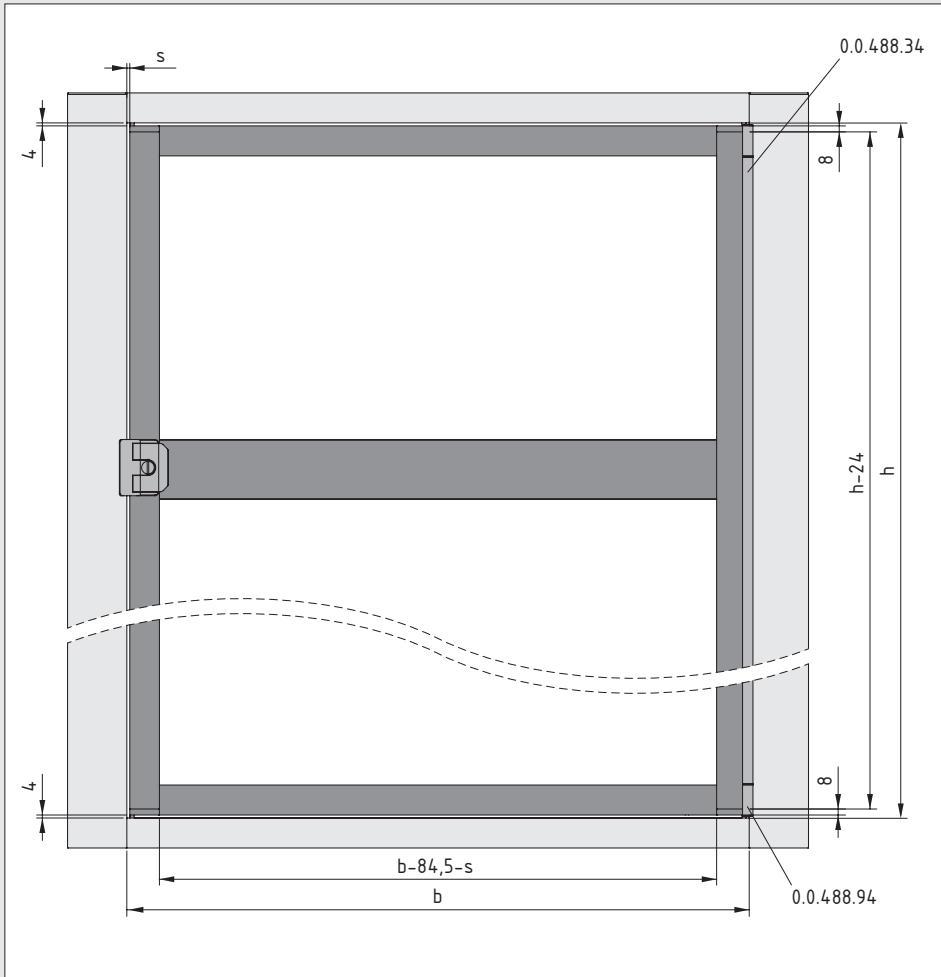
Doors built using Line XMS close with outstanding precision and can be designed in any height or size. Clamping Set XMS offers an effective means of compensating for any potential distortion caused by the dead weight of the door.

The flat Caps, Door Profile X 8 40x40 - XMS can be installed flush with the horizontal struts, thereby ensuring surfaces are closed and any door gap is kept to an absolute minimum.

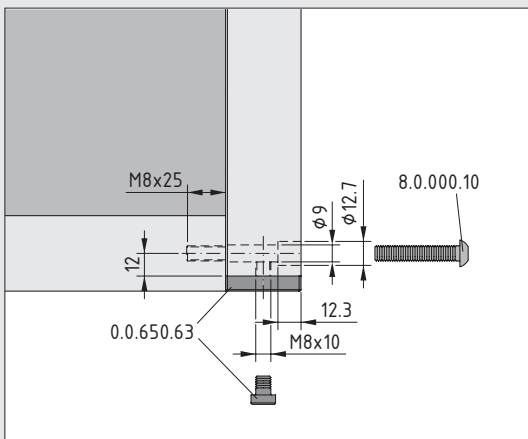


Recommended profile lengths when building doors for XMS frame structures.

Hinge AI PP4, light duty (0.0.488.94) and customised hinge strips made from Hinge Leaf Profile V 8 z light (0.0.488.34) can be used as door hinges.



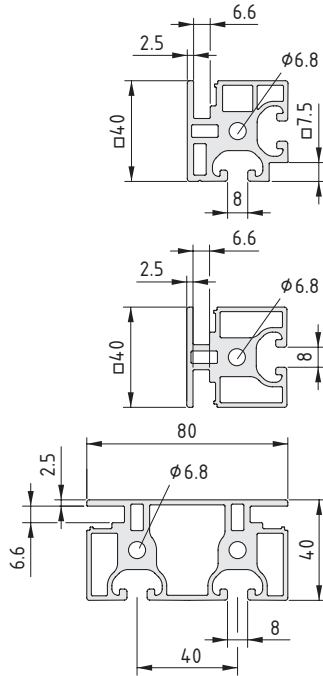
Opening dimension of frame structure: h x b	With lock	Without lock
s [mm]	4.5 - 5.5	4 - 5



Profile machining requirements when assembling a door frame.

Materials used in all the following products:

Al, anodized



**Door Profile X 8 40x40 - XMS**



A [cm <sup>2</sup> ]	m [kg/m]	I <sub>x</sub> [cm <sup>4</sup> ]	I <sub>y</sub> [cm <sup>4</sup> ]	W <sub>x</sub> [cm <sup>3</sup> ]	W <sub>y</sub> [cm <sup>3</sup> ]	
7.01	1.89	7.98	10.34	3.71	5.10	
natural, cut-off max. 6000 mm						0.0.649.51
natural, 1 pce., length 6000 mm						0.0.649.50

**Door Profile X 8 40x40-180° - XMS**

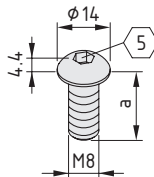


A [cm <sup>2</sup> ]	m [kg/m]	I <sub>x</sub> [cm <sup>4</sup> ]	I <sub>y</sub> [cm <sup>4</sup> ]	W <sub>x</sub> [cm <sup>3</sup> ]	W <sub>y</sub> [cm <sup>3</sup> ]	
6.31	1.70	7.63	9.20	3.65	4.60	
natural, cut-off max. 6000 mm						0.0.649.53
natural, 1 pce., length 6000 mm						0.0.649.52

**Door Profile X 8 80x40-180° - XMS**



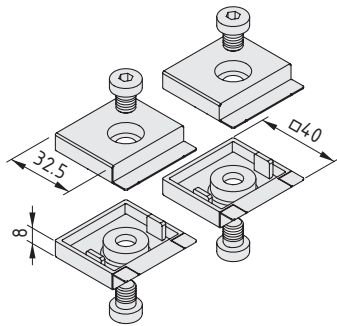
A [cm <sup>2</sup> ]	m [kg/m]	I <sub>x</sub> [cm <sup>4</sup> ]	I <sub>y</sub> [cm <sup>4</sup> ]	W <sub>x</sub> [cm <sup>3</sup> ]	W <sub>y</sub> [cm <sup>3</sup> ]	
10.06	2.72	15.81	62.71	7.84	15.68	
natural, cut-off max. 6000 mm						0.0.652.40
natural, 1 pce., length 6000 mm						0.0.652.39



**Button-Head Screw M8x40**

St  
a = 40 mm m = 15.8 g  
bright zinc-plated, 1 pce.

8.0.000.10



**Cap Set, Door Profile X 8 40x40 - XMS**



4 Caps, PA-GF, grey  
4 Hexagon Socket Head Cap Screws DIN 7984-M8x10, St, bright zinc-plated  
m = 62.8 g

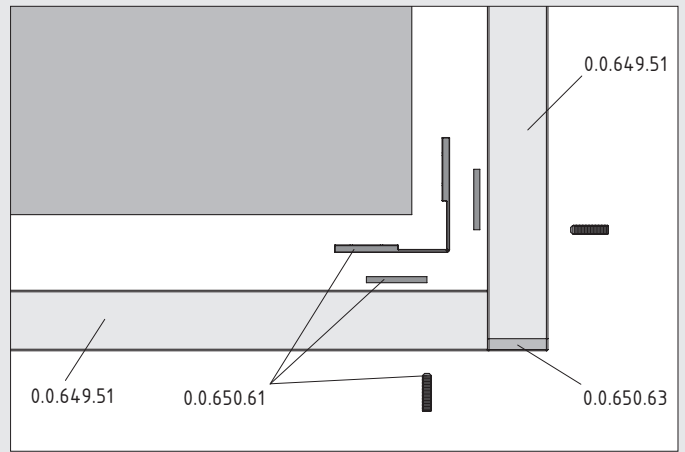
1 set

0.0.650.63

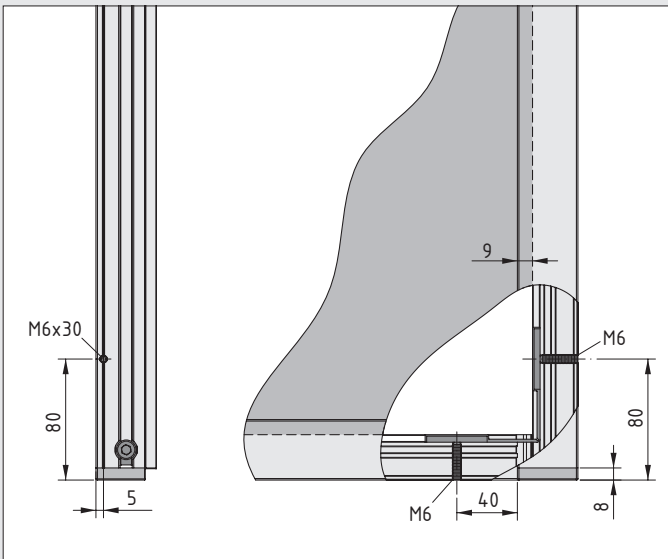




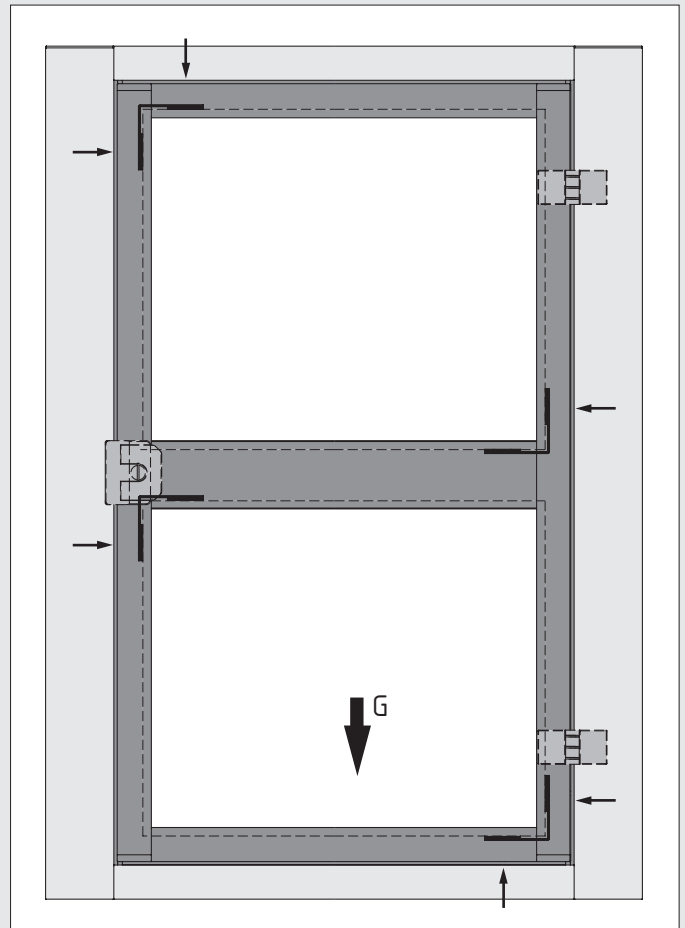
Clamping Set, Door Profile X 8 - XMS is used to precisely adjust door frames and correct distortion caused by the weight of the assembly.



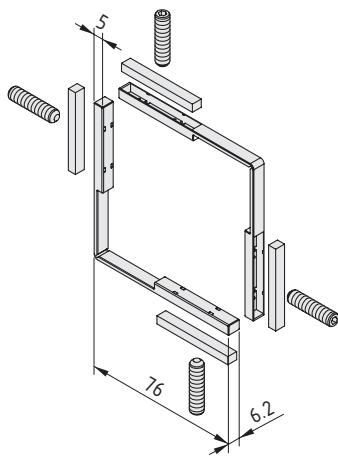
The components in the Clamping Set pair (one panel holder, two thrust pieces and two grub screws for one corner of a frame) are installed in Door Profile X 8 - XMS.



Door Profile machining requirements when installing Clamping Set, Door Profile X 8 - XMS. One Clamping Set must be used for each panel segment.



Recommended use of Clamping Sets in a door leaf comprising two panel segments. Adjustments can be made as indicated in the diagram, starting from the top.



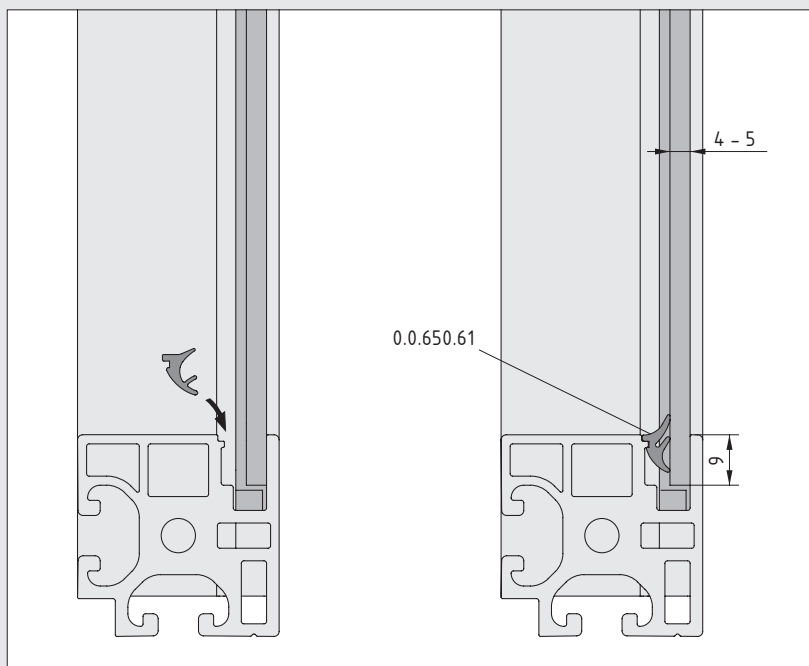
### Clamping Set, Door Profile X 8 - XMS



2 panel holders, PA, grey  
 4 thrust pieces, St, bright zinc-plated  
 4 grub screws DIN 916-M6x25, St, bright zinc-plated  
 m = 26.4 g

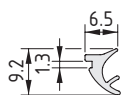
1 set

0.0.650.61



Once the door frame has been assembled and the panel element secured, the system is sealed in place with Lip Seal 4-5 mm - XMS.

The Lip Seals are best wetted with soapy water prior to assembly to ensure they can be inserted into the correct position with ease.



### Lip Seal 4-5 mm - XMS



TPE  
 m = 17.0 g

grey, 1 roll length 20 m

0.0.649.86

Lockdown.



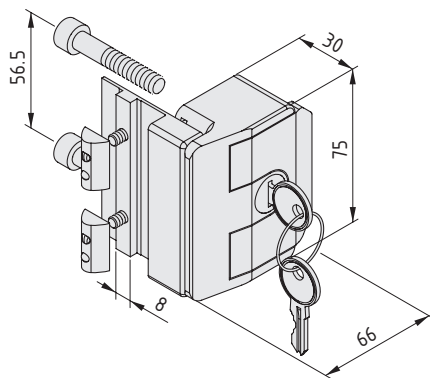
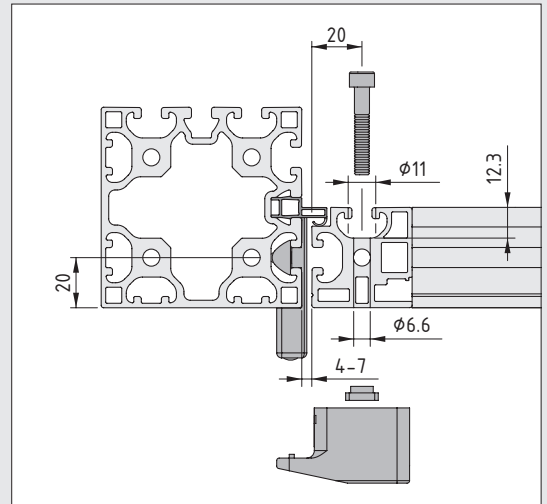
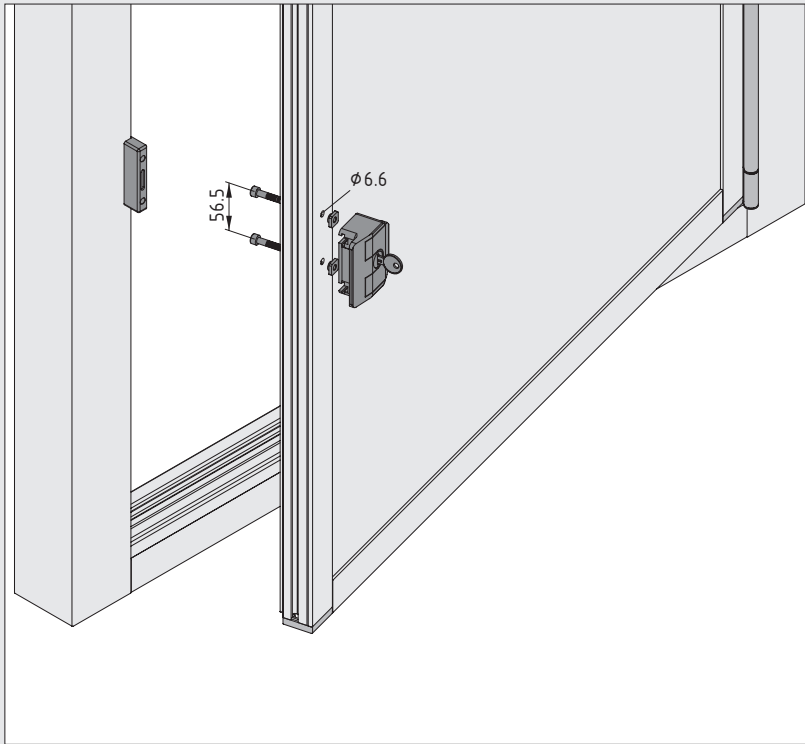
## Door Lock XMS

Door Lock X 8 Zn uses the profile groove in the door gap as a concealed fastening option. It can be installed at the ideal ergonomic height. All fastening screws are safely concealed when the door is closed.



### Note:

Remember to allow for the thickness of the fastening plate when sizing the door gap.



#### Door Lock X 8 Zn



Cylinder Lock, (all) keys identical  
 Lock housing, die-cast zinc, white aluminium  
 Lock case X 8, die-cast zinc, white aluminium  
 2 Hexagon Socket Head Cap Screws DIN 912-M6x35, St, bright zinc-plated  
 2 Countersunk Screws DIN 7991-M5x12, St, bright zinc-plated  
 2 T-Slot Nuts 8 St M5, St, bright zinc-plated  
 2 square nut inserts M6, St, bright zinc-plated  
 m = 540.0 g

1 set

0.0.652.66

## Cable management.

Screw-free installation in Line 8 groove

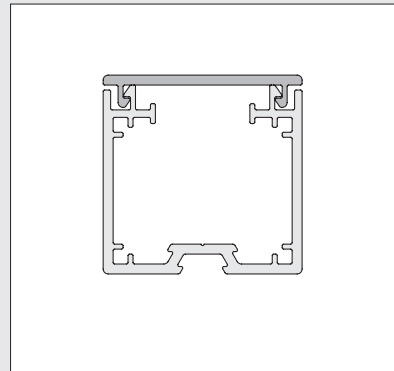
Made from insulating, high-strength plastic



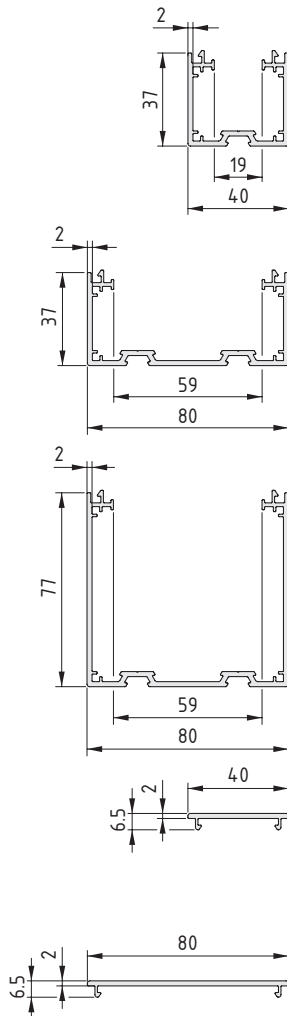
### Conduit Profile K

Simply clip Conduit Profile K into a Line 8 groove and the high-strength plastic cable conduit is ready for use – no machining, no screws. The conduit can also be screwed directly to other surfaces. The design of Conduit Profile K mirrors the contours of Profiles X 8, which are also found in machine frames built using Line XMS. That makes it ideal for use with Profiles X 8 and the logical extension for the integrated cable conduits of Profiles XMS.

Another advantage is that they are incredibly easy to machine – Conduit Profiles K and Lid Profiles K can be sawed to size or, if necessary, cut with Multi-Purpose Pliers (0.0.265.63).



Materials used in all the following products:  
PVC



Conduit Profile U40x40 K	Line	8
m = 411 g/m		
grey similar to RAL 7042, cut-off max. 3000 mm		0.0.647.84
grey similar to RAL 7042, 1 pce., length 3000 mm		0.0.643.86

Conduit Profile U80x40 D80 K	Line	8
m = 548 g/m		
grey similar to RAL 7042, cut-off max. 3000 mm		0.0.647.89
grey similar to RAL 7042, 1 pce., length 3000 mm		0.0.647.90

Conduit Profile U80x80 K	Line	8
m = 770 g/m		
grey similar to RAL 7042, cut-off max. 3000 mm		0.0.648.06
grey similar to RAL 7042, 1 pce., length 3000 mm		0.0.648.05

Lid Profile D40 K	Line	8
m = 129 g/m		
grey similar to RAL 7042, cut-off max. 3000 mm		0.0.647.85
grey similar to RAL 7042, 1 pce., length 3000 mm		0.0.643.87

Lid Profile D80 K	Line	8
m = 241 g/m		
grey similar to RAL 7042, cut-off max. 3000 mm		0.0.647.91
grey similar to RAL 7042, 1 pce., length 3000 mm		0.0.647.92

Clip art



Quick-action fastenings for cable conduits

Secure hold for cables

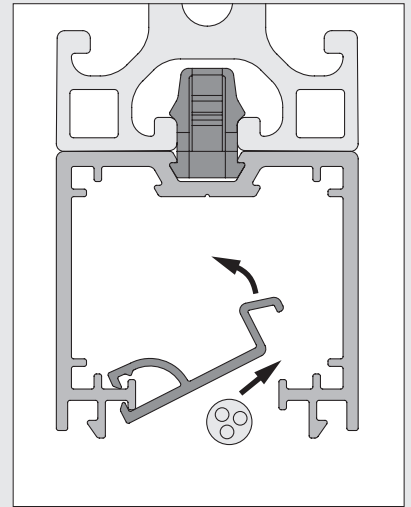
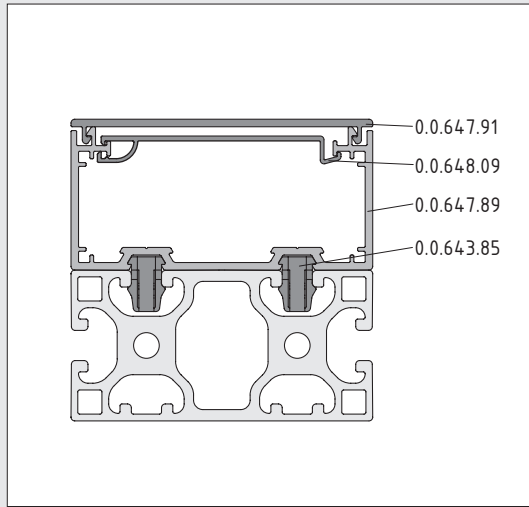
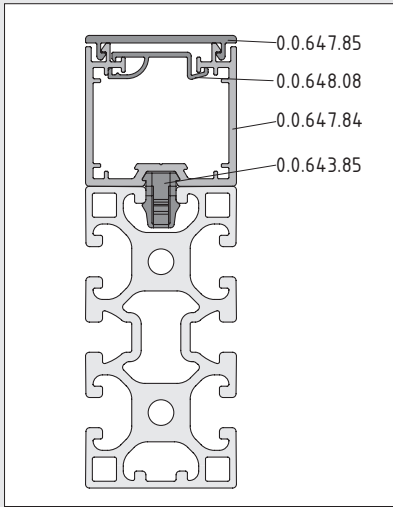


## Accessories for conduits XMS

Installing a cable conduit couldn't be easier: First, slide or push Clip 8 Conduit Profile K into Conduit Profile K. Second, simply press the clip into a Line 8 groove – and that's it! It's quick, clean, there's no machining involved and the installation can be reconfigured at a later date. Cable conduits can be fitted parallel to a groove or at a right angle across it.

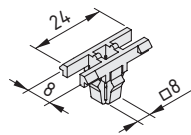
The swivel-in catches are also extremely useful, stopping cables and hoses falling out of Conduit Profiles K – even in upright and overhead installations. Additional cables and hoses can simply be pushed into the conduits.

Conduit Corner Cap 8 40 - XMS hides cables and hoses that branch off. It ensures nothing is left out in the open when a cable is being routed from a strut profile into an adjoining lateral conduit. Everything stays safely under wraps, protected from dirt and dust.



Materials used in all the following products:

PA-GF



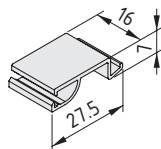
**Clip 8, Conduit Profile K**



m = 1.0 g

grey similar to RAL 7042, 1 pce.

0.0.643.85



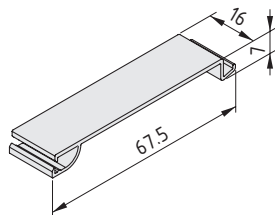
**Catch 40, Conduit Profile K**



m = 1.0 g

grey similar to RAL 7042, 1 pce.

0.0.648.08



**Catch 80, Conduit Profile K**



m = 2.0 g

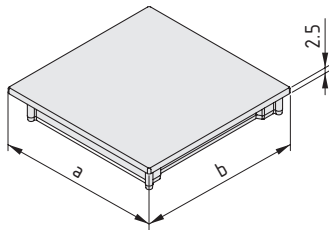
grey similar to RAL 7042, 1 pce.

0.0.648.09

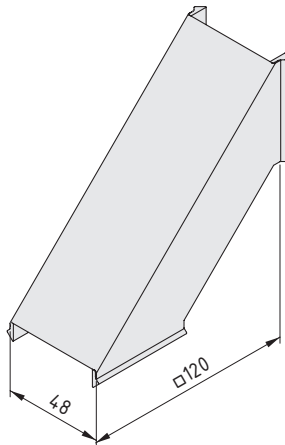




Materials used in all the following products:  
PA-GF



<b>Conduit Cap 40x40 K</b>	Line 8
a = 40 mm    b = 40 mm    m = 6.0 g	
grey similar to RAL 7042, 1 pce.	0.0.633.50
<b>Conduit Cap 80x40 K</b>	Line 8
a = 80 mm    b = 40 mm    m = 10.0 g	
grey similar to RAL 7042, 1 pce.	0.0.633.51
<b>Conduit Cap 80x80 K</b>	Line 8
a = 80 mm    b = 80 mm    m = 18.0 g	
grey similar to RAL 7042, 1 pce.	0.0.633.52



<b>Conduit Corner Cap 8 40 - XMS</b>	8
m = 68.0 g	
grey similar to RAL 7042, 1 pce.	0.0.643.83

## Alphabetical Register

<b>B</b>		
Base Plate/Transport Plate X 8 160x160-90° M16	13	
Base Plate/Transport Plate X 8 200x200-90° M16	13	
Base Plate/Transport Plate X 8 240x160-2x90° M16	13	
Button-Head Screw M8x40	16	
<b>C</b>		
Cap Set, Door Profile X 8 40x40 - XMS	16	
Cap X 8 120x120-45° AI	11	
Cap X 8 80x80 AI	11	
Catch 40, Conduit Profile K	24	
Catch 80, Conduit Profile K	24	
Clamping Set, Door Profile X 8 - XMS	18	
Clip 8, Conduit Profile K	24	
Conduit Cap 40x40 K	25	
Conduit Cap 80x40 K	25	
Conduit Cap 80x80 K	25	
Conduit Corner Cap 8 40 - XMS	25	
Conduit Profile U40x40 K	22	
Conduit Profile U80x40 D80 K	22	
Conduit Profile U80x80 K	22	
Cover Profile 15 K	10	
Cover Profile 56 K	10	
<b>D</b>		
Door Lip Seal 8 - XMS	10	
Door Lock X 8 Zn	20	
Door Profile X 8 40x40 - XMS	16	
Door Profile X 8 40x40-180° - XMS	16	
Door Profile X 8 80x40-180° - XMS	16	
<b>L</b>		
Lid Profile D40 K	22	
Lid Profile D80 K	22	
Lip Seal 4-5 mm - XMS	18	
<b>P</b>		
Profile X 8 120x120 K56 - XMS	8	
Profile X 8 80x40 1N - XMS	7	
Profile X 8 80x40 2N K15 - XMS	7	
Profile X 8 80x40 2N light	8	
Profile X 8 80x80 2N K15 - XMS	8	
Profile X 8 80x80 2N - XMS	8	
Profile X 8 80x80 4N90 - XMS	8	
<b>S</b>		
Screw Clip - XMS	11	

If you require information material, please get in touch with your distribution and service contact. Or you can visit us at our website: [www.item24.com](http://www.item24.com)

Up-to-date information is available online

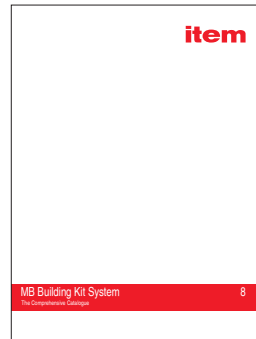


## Other item product catalogues

### Work bench systems



### MB8 Building Kit System



### Line D30



**Concept, design and realization**  
item Industrietechnik GmbH,  
Technical Documentation Department

**Photographs**  
item Industrietechnik GmbH

Technical modifications and errors reserved.  
All rights reserved. Use of texts and illustrations or reprints of any kind only permitted with our prior written consent. This applies in particular to reproduction, translation or use in electronic systems.

**item** is a registered trademark of item Industrietechnik GmbH.

© item Industrietechnik GmbH 2012

#### Patents

Any copying of protected products is a violation of these rights and, as such, shall be liable to compensation. Data and illustrations in this catalogue do not discharge the user from the obligation to carry out his own checks to determine whether the industrial property rights of third parties are infringed.

#### Product liability

item shall be liable, within the framework of the applicable legal provisions, for the promised characteristics of the products shown in this catalogue. Any claims for liability above and beyond such – in particular relating to products created by third parties using products included in this catalogue – are expressly excluded.

#### Conditions of use

The products in the item MB Building Kit System are suitable for use in dry conditions and over the temperature range -20°C to +70°C, unless otherwise stated. item must be consulted where products are to be used for applications outside these limits.

#### Conformity with Directive 2002/95/EC ("RoHS")

item has made a voluntary undertaking to refrain from using hazardous substances as defined in Directive 2002/95/EC in the products it sells, irrespective of their subsequent purpose which, in the majority of cases, does not fall under this Directive.

Your distribution and service partner

**item**

item Industrietechnik GmbH  
Friedenstrasse 107-109  
42699 Solingen  
Germany

Phone +49 212 6580 0  
Fax +49 212 6580 310

info@item24.com  
www.item24.com

Your ideas are worth it.