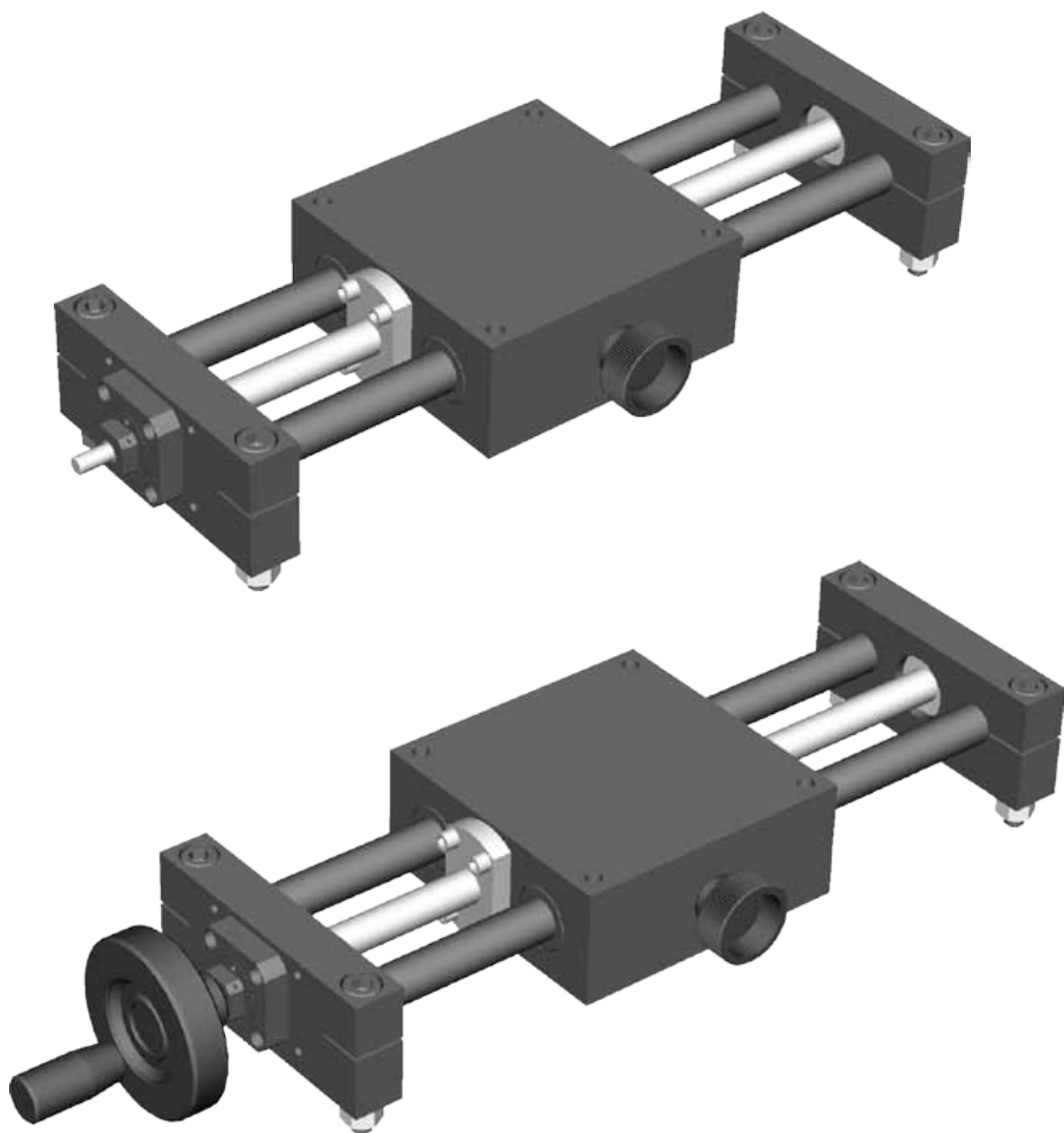
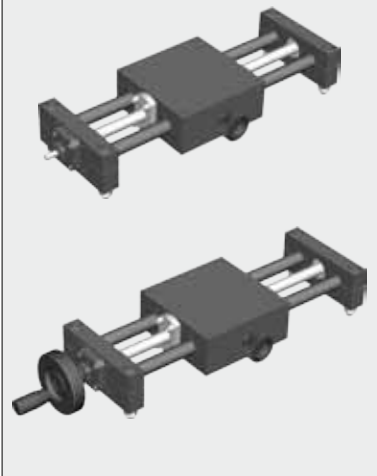


JM-ADJUSTING TABLE

with trapezoidal screw or ball screw



Adjusting table 12, 20 and 30

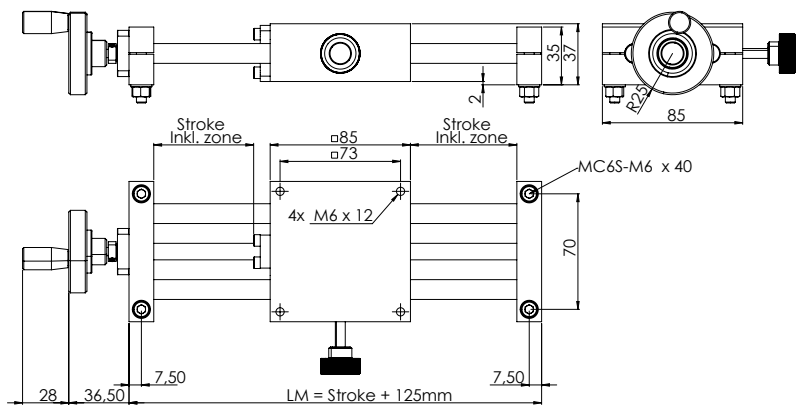


Our JM-Adjusting table is driven by a trapezoidal screw as standard, and a ball screw when you are looking for continuous operation. A JM-Adjusting table is a good solution when you are looking for a simple linear movement, at a competitive price!

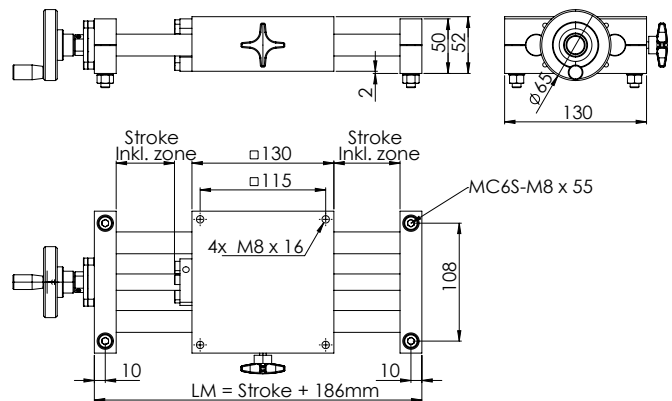
JM-Adjusting tables are produced in shaft sizes 12, 20 and 30 mm, with or without adjusting knobs and locking screws, and with or without motor flange.

Download 3D Cad files:
www.aluflex.com

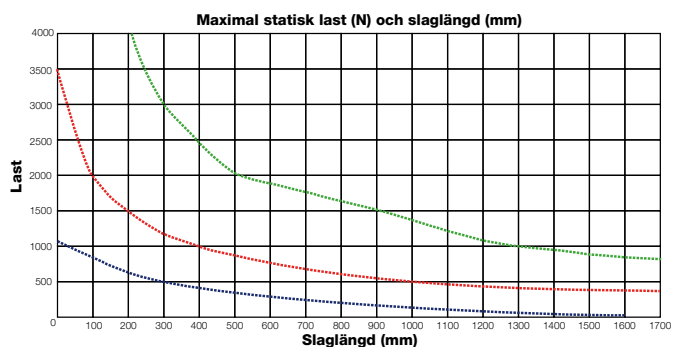
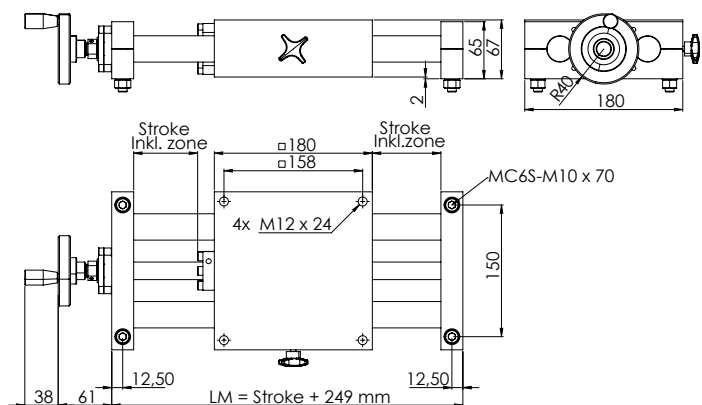
12



20



30



AluFlex AB
Lilla Garnisonsgatan 34
254 67 Helsingborg
Tel +46 42 38 02 30
Fax +46 42 38 02 31
orders@aluflex.se
www.aluflex.se

LinearModul A/S
Sivlandvænget 13 B
5260 Odense S
Tel +45 65 91 72 10
Fax +45 65 91 72 20
orders@linearmodul.dk
www.linearmodul.dk

AluFlex System AS
Energivegen 14
Postboks 428
2051 Jessheim
Tlf +47 63 94 49 20
Faks +47 63 94 49 21
orders@aluflex.no
www.aluflex.no

item profiili oy
Mikkelänkalio 5
02771 Espoo
Puh +358 9 854 56 50
Fax +358 9 854 56 544
orders@itemprofiili.fi
www.itemprofiili.fi