



**Line D30 – the lean production system.**  
Comprehensive Catalogue



## Line D30 from item – the cost-effective lean production system.

Line D30 is the quick-action cylindrical tube system that lets you set the pace. It supports the continuous improvement of production processes by enabling users to put their ideas into practice straight away. Don't plan. Do!

A forgiving design principle, simple joining techniques and machining-free fastenings ensure maximum versatility. When workpieces or processes change, D30 adapts with lightning speed. New picking trolleys, modified transport lines and intermediate storage racks can be put together with the flick of wrist. A huge range of accessory modules are also available for special tasks. Because it allows connection to item profile grooves, Line D30 combines the versatility of a tube system with the diversity of the item building kit system.

D30 comprises optimised components: The profiled aluminium tubes are significantly lighter than steel counterparts, but are still extremely stable. Connections and fastenings can be implemented wherever required. No matter whether you need to transport heavy components, swap material crates or move sensitive products, the lean production system from item can provide versatile, stable and efficient solutions. Because everything can be extended or modified with very little effort, Line D30 is the cost-effective answer to the challenges of modern production.









### The philosophy

Lean production made easy. The use of lightweight materials for Line D30 from item makes work straightforward and efficient. Systems can be put together easily as your needs dictate, to help make your production systems more cost-effective.

Easy to assemble, easy to convert – and no need for specialist skills when handling the self-explanatory functional elements. That is why the systems can also be assembled directly on site. Production control systems based on the Kanban principle are supported by a range of accessories such as Castor Rails and Swivel Castors.

### The Line D30 at a glance:

-  **04** Profiles and accessories
-  **13** Fasteners
-  **39** Fastening elements
-  **54** Material flow
-  **77** MB products as enhancements
-  **78** Alphabetical Register



## Profiles and accessories.

Speed and versatility in installation and long-term reliability in use – these are the key features of the Profiles D30. As a result, they are the ideal system for putting your continuous improvement processes into action. The lean production system uses tubes, profiles and fastening elements made from lightweight and corrosion-resistant aluminium. Their optimised design delivers a high load-carrying capacity and because they can be reused and augmented they are extremely cost efficient.

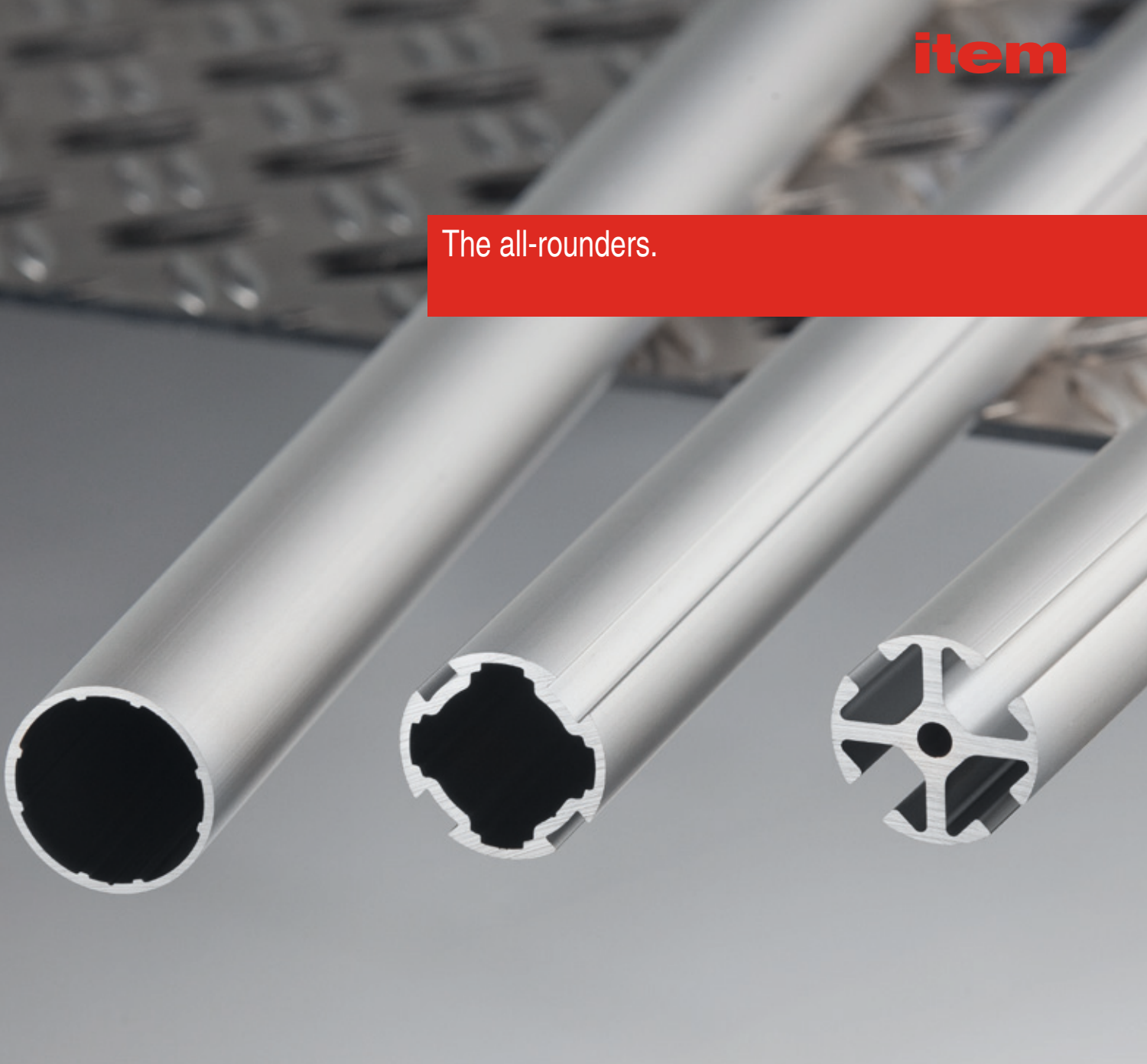
Profiles D30 are available in the form of smooth Tubes or Profile Tubes with grooves for ultra-simple installation. Coloured profiles are also available alongside the

natural metal versions and can be used to provide a clear indication of where one area starts and another finishes.

There are also profiles for special applications with equally special features such as heavy-duty profiles with increased load-carrying capacity and even a composite tube made of 70 percent wood.

One thing all these profiles have in common is how easy they are to machine. Profiles and tubes are cut to length on site, with cut-off tolerances and angular errors compensated by the fastening elements. No further processing is required, since all the connecting elements are applied externally.

The all-rounders.



## Tube D30

### Profile Tube D30

### Profile 6 D30

The Tubes and Profiles in Line D30 have one thing in common – their basic diameter of 30 mm makes solutions incredibly rigid. It also corresponds to the modular dimension of item Profile 6, producing a whole range of opportunities for combination.

Universal and flexible – Tube D30 and Profile Tube D30 form the basic structure of designs. Simply cut to size and fit together using the fastening elements.

The design of Profile Tube D30 ensures perfect profile alignment every time, making tube connection very straightforward.

Profiles 6 D30 go even further, with four true Profile 6 grooves enabling universal use of the fastening elements in Line 6. These Profiles can be combined with Tube D30 and Profile Tube D30 as and when required.



Tube designs now in glorious colour! Profile Tubes D30 in seven different colours offer a quick and eye-catching means of marking out different areas, parts, sites and qualities.

The silk-matt powder-coating is durable and abrasion resistant and has no detrimental effects for fastening elements.

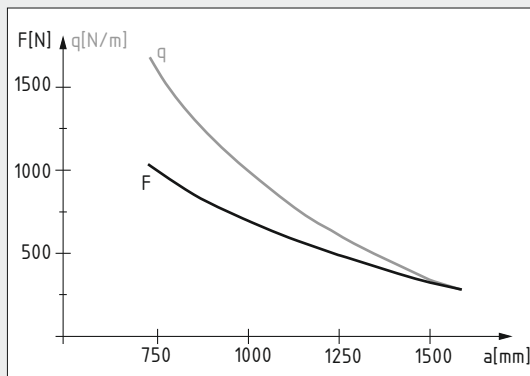
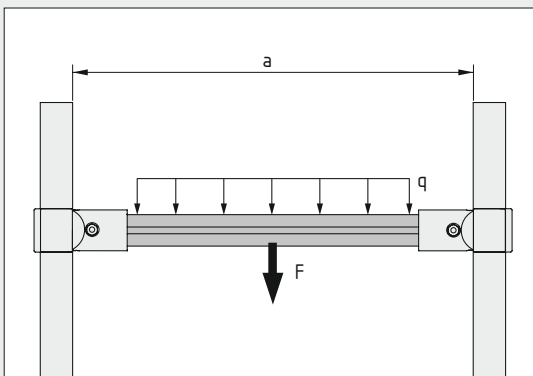
Profile Tubes coated in black are ESD-safe. This ensures that personnel can immediately tell where sensitive parts are safe.



Caps for the ends of Profiles and Tubes are available in two variants – elegant grey and a black, electrostatically dissipative version. This makes it easy to identify the intended application of a Cap.



Any covered grooves on a Profile can be opened up as and when required, thereby allowing you to insert panelling and fastening elements.



Permissible loads for profile constructions built using Tube D30, Profile Tube D30 and all variants of Profiles 6 D30.



Tube D30						
Al, anodized						
A [cm <sup>2</sup> ]	m [kg/m]	I <sub>x</sub> [cm <sup>4</sup> ]	I <sub>y</sub> [cm <sup>4</sup> ]	W <sub>x</sub> [cm <sup>3</sup> ]	W <sub>y</sub> [cm <sup>3</sup> ]	
1.26	0.34	1.29	1.29	0.86	0.86	
natural, cut-off max. 6000 mm						0.0.628.56
natural, 1 pce., length 6000 mm						0.0.628.52

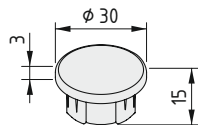


Profile Tube D30						
Al, anodized						
A [cm <sup>2</sup> ]	m [kg/m]	I <sub>x</sub> [cm <sup>4</sup> ]	I <sub>y</sub> [cm <sup>4</sup> ]	W <sub>x</sub> [cm <sup>3</sup> ]	W <sub>y</sub> [cm <sup>3</sup> ]	
1.97	0.53	1.71	1.71	1.14	1.14	
natural, cut-off max. 6000 mm						0.0.628.28
natural, 1 pce., length 6000 mm						0.0.628.17



Profile Tube D30						
Al, powder-coated						
A [cm <sup>2</sup> ]	m [kg/m]	I <sub>x</sub> [cm <sup>4</sup> ]	I <sub>y</sub> [cm <sup>4</sup> ]	W <sub>x</sub> [cm <sup>3</sup> ]	W <sub>y</sub> [cm <sup>3</sup> ]	
1.97	0.53	1.71	1.71	1.14	1.14	
red similar to RAL 3020, cut-off max. 6000 mm						0.0.643.22
red similar to RAL 3020, 1 pce., length 6000 mm						0.0.643.14
yellow similar to RAL 1021, cut-off max. 6000 mm						0.0.643.23
yellow similar to RAL 1021, 1 pce., length 6000 mm						0.0.643.15
green similar to RAL 6024, cut-off max. 6000 mm						0.0.643.24
green similar to RAL 6024, 1 pce., length 6000 mm						0.0.643.16
blue similar to RAL 5017, cut-off max. 6000 mm						0.0.643.25
blue similar to RAL 5017, 1 pce., length 6000 mm						0.0.643.17
grey similar to RAL 7042, cut-off max. 6000 mm						0.0.643.26
grey similar to RAL 7042, 1 pce., length 6000 mm						0.0.643.18
white similar to RAL 9016, cut-off max. 6000 mm						0.0.643.27
white similar to RAL 9016, 1 pce., length 6000 mm						0.0.643.19

Profile Tube D30 ESD						
Al, powder-coated						
A [cm <sup>2</sup> ]	m [kg/m]	I <sub>x</sub> [cm <sup>4</sup> ]	I <sub>y</sub> [cm <sup>4</sup> ]	W <sub>x</sub> [cm <sup>3</sup> ]	W <sub>y</sub> [cm <sup>3</sup> ]	
1.97	0.53	1.71	1.71	1.14	1.14	
black, similar to RAL 9005, cut-off max. 6000 mm						0.0.643.29
black, similar to RAL 9005, 1 pce., length 6000 mm						0.0.643.21



Cap, Tube D30						
PA-GF						
m = 4.6 g						
grey similar to RAL 7042, 1 pce.						0.0.629.78

Cap, Tube D30 ESD						
PA-GF						
m = 4.6 g						
black, similar to RAL 9005, 1 pce.						0.0.637.04





#### Profile 6 D30

Al, anodized

A [cm <sup>2</sup> ]	m [kg/m]	I <sub>x</sub> [cm <sup>4</sup> ]	I <sub>y</sub> [cm <sup>4</sup> ]	W <sub>x</sub> [cm <sup>3</sup> ]	W <sub>y</sub> [cm <sup>3</sup> ]	
2.79	0.75	1.69	1.69	1.12	1.12	
natural, cut-off max. 6000 mm						0.0.616.46
natural, 1 pce., length 6000 mm						0.0.616.45



#### Profile 6 D30 1N

Al, anodized

A [cm <sup>2</sup> ]	m [kg/m]	I <sub>x</sub> [cm <sup>4</sup> ]	I <sub>y</sub> [cm <sup>4</sup> ]	W <sub>x</sub> [cm <sup>3</sup> ]	W <sub>y</sub> [cm <sup>3</sup> ]	
2.84	0.77	1.69	1.78	1.12	1.19	
natural, cut-off max. 6000 mm						0.0.615.09
natural, 1 pce., length 6000 mm						0.0.615.08



#### Profile 6 D30 2N90

Al, anodized

A [cm <sup>2</sup> ]	m [kg/m]	I <sub>x</sub> [cm <sup>4</sup> ]	I <sub>y</sub> [cm <sup>4</sup> ]	W <sub>x</sub> [cm <sup>3</sup> ]	W <sub>y</sub> [cm <sup>3</sup> ]	
2.88	0.78	1.79	1.79	1.19	1.19	
natural, cut-off max. 6000 mm						0.0.615.13
natural, 1 pce., length 6000 mm						0.0.615.11



#### Profile 6 D30 2N180

Al, anodized

A [cm <sup>2</sup> ]	m [kg/m]	I <sub>x</sub> [cm <sup>4</sup> ]	I <sub>y</sub> [cm <sup>4</sup> ]	W <sub>x</sub> [cm <sup>3</sup> ]	W <sub>y</sub> [cm <sup>3</sup> ]	
2.88	0.78	1.69	1.88	1.15	1.25	
natural, cut-off max. 6000 mm						0.0.614.24
natural, 1 pce., length 6000 mm						0.0.614.23



#### Profile 6 D30 3N

Al, anodized

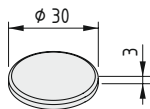
A [cm <sup>2</sup> ]	m [kg/m]	I <sub>x</sub> [cm <sup>4</sup> ]	I <sub>y</sub> [cm <sup>4</sup> ]	W <sub>x</sub> [cm <sup>3</sup> ]	W <sub>y</sub> [cm <sup>3</sup> ]	
2.94	0.79	1.79	1.89	1.19	1.26	
natural, cut-off max. 6000 mm						0.0.615.17
natural, 1 pce., length 6000 mm						0.0.615.16



#### Profile 6 D30 4N

Al, anodized

A [cm <sup>2</sup> ]	m [kg/m]	I <sub>x</sub> [cm <sup>4</sup> ]	I <sub>y</sub> [cm <sup>4</sup> ]	W <sub>x</sub> [cm <sup>3</sup> ]	W <sub>y</sub> [cm <sup>3</sup> ]	
2.98	0.80	1.89	1.89	1.26	1.26	
natural, cut-off max. 6000 mm						0.0.616.49
natural, 1 pce., length 6000 mm						0.0.616.48



#### Cap 6 D30

PA-GF  
m = 2.1 g

grey similar to RAL 7042, 1 pce.	0.0.634.45
----------------------------------	------------

#### Cap 6 D30 ESD



PA-GF  
m = 2.1 g

black, similar to RAL 9005, 1 pce.	0.0.637.03
------------------------------------	------------



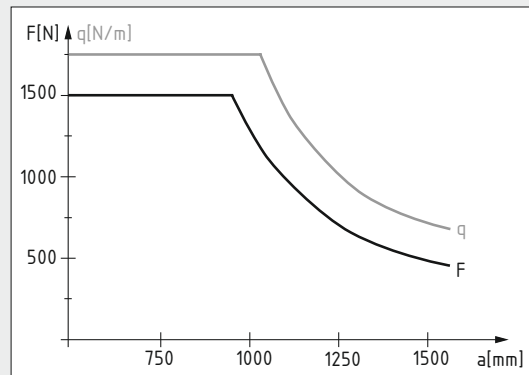
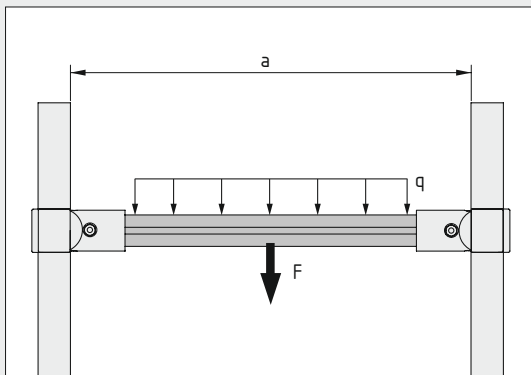


## Profile Tube D30 heavy duty

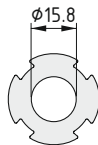
Built to last – Profile Tube D30 heavy duty is used in applications with tough requirements. Low profile deflection and increased buckling resistance – that is when this profile really comes into its own.

Threaded bores can be introduced into the reinforced wall of the Profile Tube, which enables users to create direct screw attachments.

On the outside, however, it looks no different from its conventional counterpart and has the same contour as Profile Tube D30. As a result, all the normal connection and fastening principles in Line D30 apply in full and all components are used in the usual way.



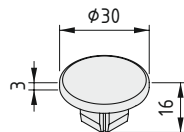
Permissible loads for profile constructions built with Profile Tube D30 heavy duty.



### Profile Tube D30 heavy duty

Al, anodized

A [cm <sup>2</sup> ]	m [kg/m]	I <sub>x</sub> [cm <sup>4</sup> ]	I <sub>y</sub> [cm <sup>4</sup> ]	W <sub>x</sub> [cm <sup>3</sup> ]	W <sub>y</sub> [cm <sup>3</sup> ]	
4.67	1.21	3.06	3.06	2.04	2.04	
natural, cut-off max. 6000 mm						0.0.642.34
natural, 1 pce., length 6000 mm						0.0.642.33



### Cap, Profile Tube D30 heavy duty

PA-GF

m = 3.0 g

grey, 1 pce.	0.0.648.68
--------------	------------

### Cap, Profile Tube D30 heavy duty ESD

PA-GF

m = 3.0 g

black, 1 pce.	0.0.649.35
---------------	------------



Renewable plastic.

70 percent wood content

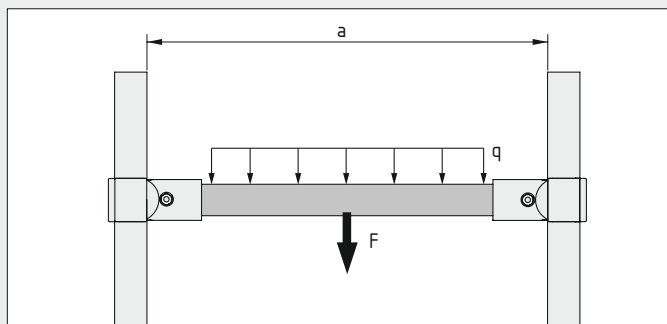
Innovative material

## Tube KH D30x11.6

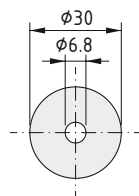
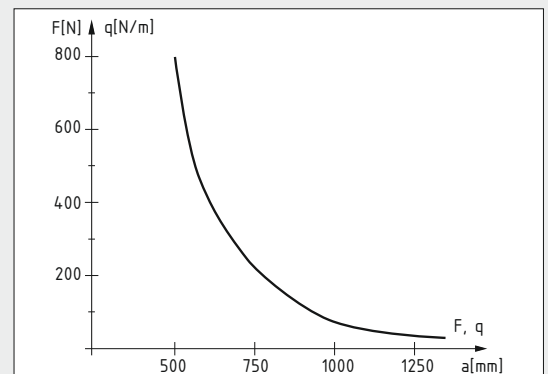
The alternative for all tube constructions that need to be electrically non-conductive and transparent to electromagnetic waves. Stable, weatherproof and made predominantly of renewable raw materials (> 70 percent wood), this innovative composite material is also suitable for users who need tubes that are easy to process and versatile. The wall thickness of 11.6 mm also means that panel elements can be screwed directly to the tube wall using wood screws.

Fastener D30 and a Tube Adapter D30 are used to create connections with Tubes KH D30x11.6 in exactly the same way as for aluminium Tubes D30.

To create end-face connections, Button-Head Screw KH 8x55, TX 30 (0.0.642.17) can be driven into the core bore of Tube KH without the need for any preliminary machining.



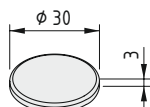
Permissible loads for profile constructions built with Tube KH D30x11.6.



### Tube KH D30x11.6

Wood-PP composite

A [cm <sup>2</sup> ]	m [kg/m]	I <sub>x</sub> [cm <sup>4</sup> ]	I <sub>y</sub> [cm <sup>4</sup> ]	W <sub>x</sub> [cm <sup>3</sup> ]	W <sub>y</sub> [cm <sup>3</sup> ]
6.71	0.77	3.97	3.97	2.65	2.65
anthracite, cut-off max. 6000 mm					
0.0.643.71					
anthracite, 1 pce., length 6000 mm					
0.0.643.70					



### Cap, Tube KH D30

PA-GB  
m = 2.3 g

black, 1 pce.	0.0.649.31
---------------	------------



Protection.

Made from durable flexible PE foam

Impact and scratch protection

### Tube Protector D30x13

Scratch protection and impact absorption for all constructions made using item Line D30.

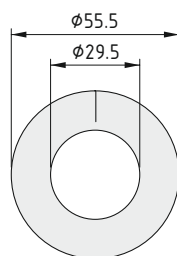
The cladding consists of 13 mm-thick PE foam with exceptional elastic properties. The closed-cell material protects products from mechanical damage and can withstand prolonged exposure to mineral oil, acids and alkalis.

Easy to fit: Either insert the (Profile) Tube D30 into the Tube Protector or fit the Tube Protector around tubes that have already been built into a construction. To ensure a secure hold around Tubes D30, a Tube Protector D30x13 that has been split open along its length should be held shut with cable ties, clips or adhesive tape.



#### Tip

Tube Protector D30x13 can be cut to size easily using a bread knife.



Tube Protector D30x13

PE, foamed  
m = 60 g/m

grey, 1 pce., length 2000 mm

0.0.641.23



Bringing it to an end.

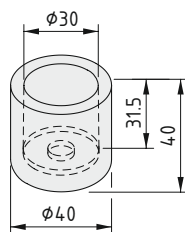


## Tube End Cap D30

Added safety with Tube End Cap D30: As a flexible cap for the open end of a Tube D30 or as scratch protection for floors or walls.

A steel washer ensures the tube does not perforate the cap.

The Tube End Cap is also available in an electrostatically dissipative design (black).



### Tube End Cap D30

Cap, NBR Sh 60 A  
Washer, St, bright zinc-plated  
m = 47.0 g

grey, 1 set

0.0.643.96

### Tube End Cap D30 ESD



Cap, NBR Sh 60 A ESD  
Washer, St, bright zinc-plated  
m = 47.0 g

black, 1 set

0.0.644.65



## Fasteners.

### Ingenious fasteners

The unique concept of Fasteners D30 allows smooth Tubes, Profile Tubes and Profiles with standard grooves to be connected together using the same fastening elements.

High clamping forces ensure the construction is stable, and the item clamping technology prevents twisting in contact even with plain Tubes.

Fasteners D30 support exceptional tolerance compensation – cut-offs of tubes and profiles do not need to be completely precise. They can be cut up to 5 mm shorter without affecting the holding force of the fastening. Fundamentally, Profiles D30 and Tubes D30 do not need to be specially machined to allow the use of these fastening elements!

All D30 fastening elements are made from aluminium and exhibit no creep behaviour, thereby eliminating the costly and time-consuming readjustment of fasteners.

### ESD safety as standard

The Fasteners in Line D30 automatically establish contact between the various components, thereby safely dissipating harmful electrostatic charges.





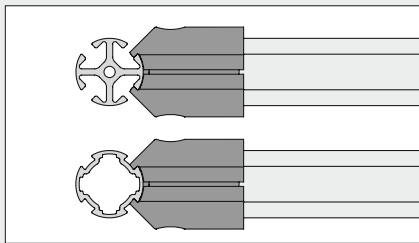
Keeping a firm grip.

No profile processing necessary

## Fastener D30

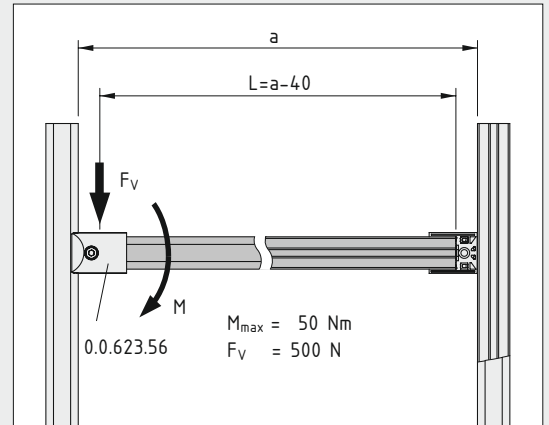
The universal 90° fastening for all Tubes D30, Profile Tubes D30 and Profiles 6 D30. with tolerance compensation and ESD contact built in.

Caps D30 R are used to cover over the screw connection of the fastener, making cleaning easy and ensuring your design looks its best. Two Caps D30 R are used for each Fastener D30.

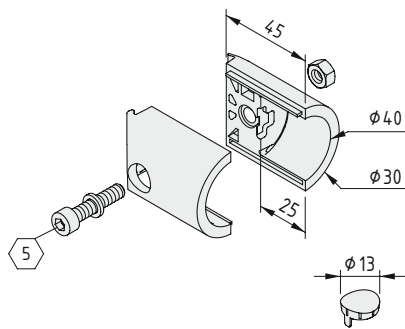
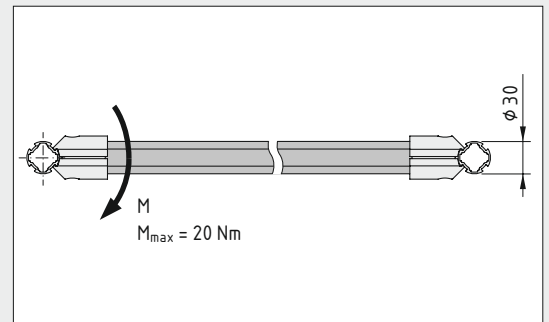
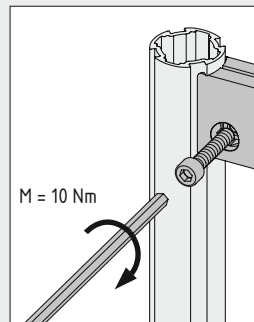


### Tip

Cap D30 R holds the nut in place in the Fastener when creating the screw connection. This makes assembly a great deal easier – even in awkward positions!



Using the Anti-Torsion Blocks makes it even easier to combine the Fastener with Profile Tubes D30 and Profiles 6 D30. They ensure the Profiles are correctly aligned in the Fastener, making it easy to avoid assembly errors.



**Fastener D30**

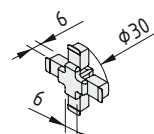
2 fastener halves, die-cast aluminium, natural  
 Washer, St, bright zinc-plated  
 Hexagon Socket Head Cap Screw DIN 912 M6x28, St, bright zinc-plated  
 Hexagon nut DIN 934 M6-5, St, bright zinc-plated  
 m = 105.0 g

1 set 0.0.623.56

**Cap D30 R**

PA-GF  
 m = 0.3 g  
 grey similar to RAL 7042, 1 pce.

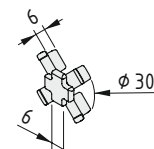
0.0.624.11



**Anti-Torsion Block 6 D30**

PA-GF  
 m = 1.4 g  
 grey similar to RAL 7042, 1 pce.

0.0.630.39



**Anti-Torsion Block 6 D30-45°**

PA-GF  
 m = 1.4 g  
 grey similar to RAL 7042, 1 pce.

0.0.630.40



Hooked on Profiles.



### Tube Adapter D30

The Tube Adapter turns plain cylindrical tubes into profiles! Simply fit it around the tube and the D30 fastener is ready for use. The Fastener clamps the Tube Adapter, creating exceptional torsion and slip protection.

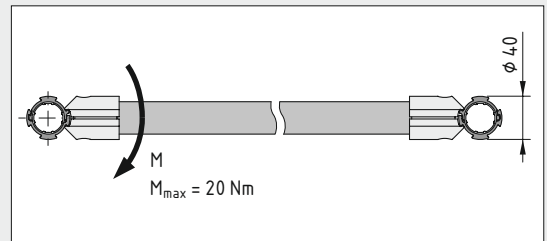
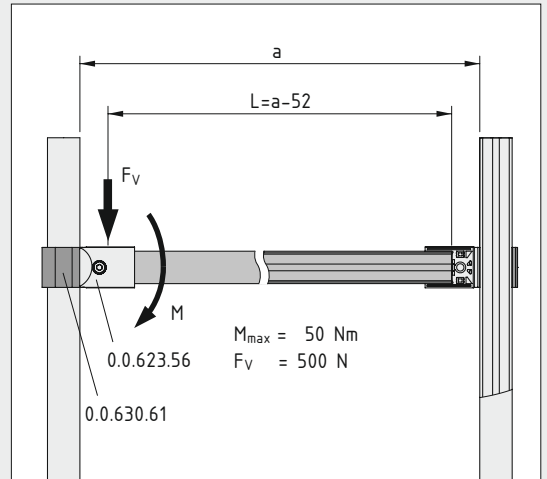
Suitable for connecting up to 4 Fasteners to a single Tube in a single plane.

The optional Cap securely covers any connection points on the Tube Adapter D30 that are not required. Up to 3 Caps can be fitted to each Tube Adapter D30.

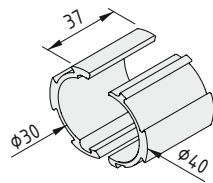
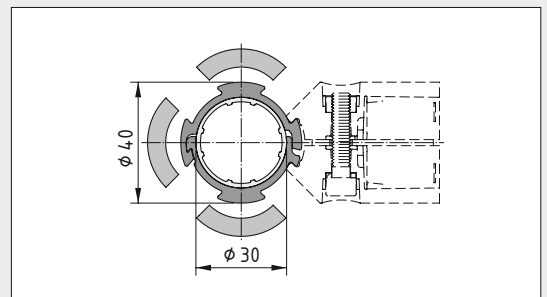




Tube Adapter D30 also allows connections to be made to Profiles 6 D30 at any angle.



A Fastener D30 clamps Tube Adapter D30 on the Tube. Up to 4 fastening elements can be connected to one Tube Adapter D30.

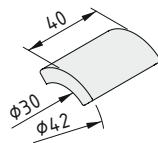


**Tube Adapter D30**

Tube collar, inside, Al, natural  
 Tube collar, outside, Al, natural  
 m = 33.0 g

1 set

0.0.630.61



**Tube Adapter Cap D30**

PA-GF  
 m = 3.1 g

grey similar to RAL 7042, 1 pce.

0.0.630.23

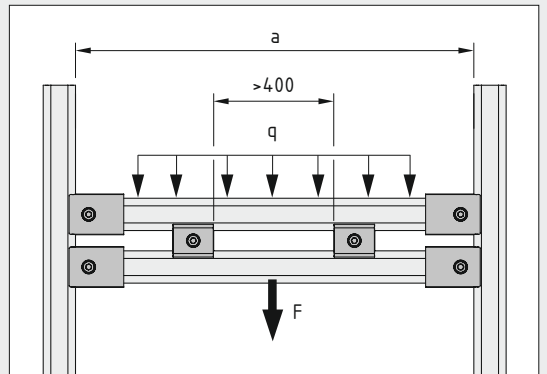
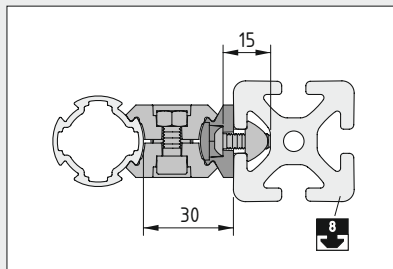
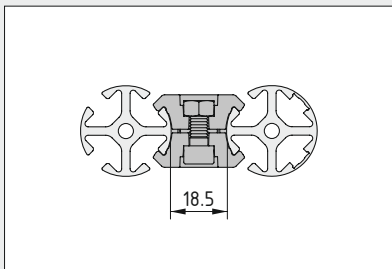
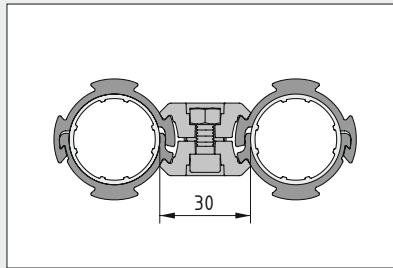
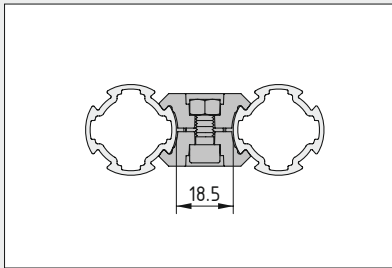


A parallel universe.

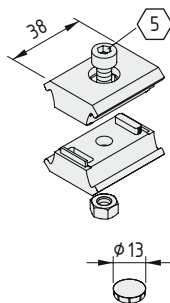
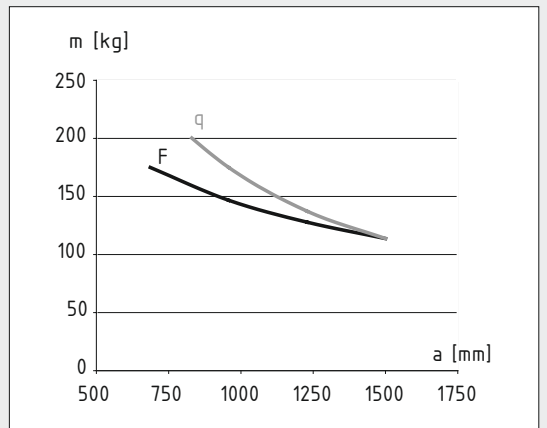
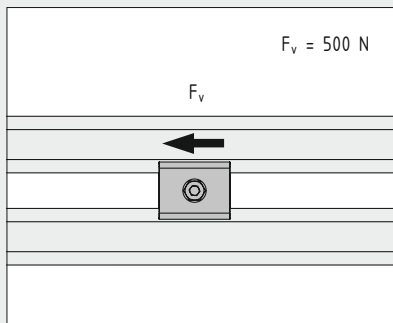
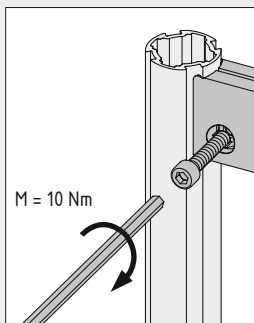
## Parallel Fastener D30

Connects Profiles and Profile Tubes D30 in parallel, thereby creating strong structures that are resistant to deflection, for example. The Parallel Fastener is also suitable for connecting other fastening elements to the profile contour. It is also used in combination with Angle Fastener D30 and to secure accessories.

Caps D30 F are used to cover over the screw connection of the Fastener, making cleaning easy and ensuring your design looks its best. Two Caps D30 F are used for each Parallel Fastener D30.



Parallel Fastener D30 connects together Profile Tubes D30, Tubes D30 (with Tube Adapter D30), Profiles 6 D30 and Profiles 8 (with Adapter 8 D30).



**Parallel Fastener D30**

2 parallel fastener halves, die-cast aluminium, natural  
Hexagon Socket Head Cap Screw DIN 912-M6x15, St, bright zinc-plated  
Hexagon nut DIN 934-M6-5, St, bright zinc-plated  
m = 53.0 g

1 set

0.0.629.94



**Cap D30 F**

PA-GF  
m = 0.2 g

grey similar to RAL 7042, 1 pce.

0.0.629.80

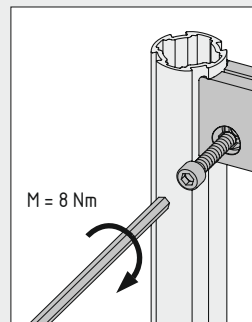
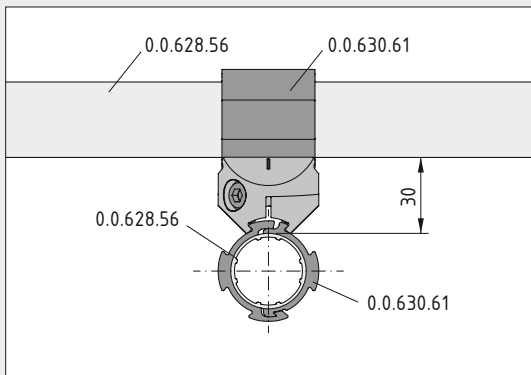
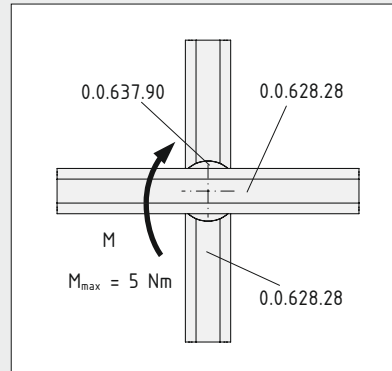
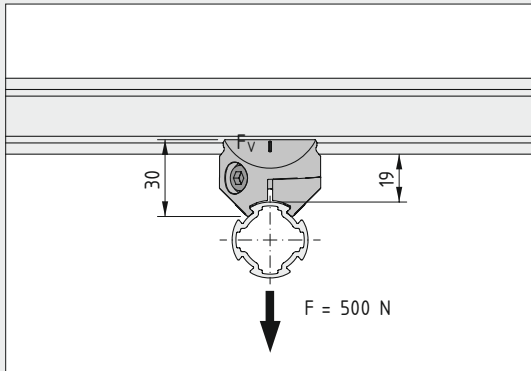


Clamping connection.

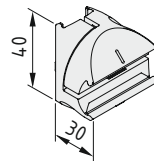
No profile processing necessary

### Transverse Fastener D30

A fastener with a firm grip. Transverse Fastener D30 connects two Profile Tubes at a 90° angle to each other. The two-part fastener enables users to connect together Profile Tubes without disassembly. Simply clamp the Transverse Fastener onto both Profile Tubes and then tighten it. The tightened fastener holds the Profile Tubes together and positive locking provides added support for the load-carrying profile connection.



Using Transverse Fastener D30 on two Tubes D30 with Tube Adapter D30.  
 Profile Tubes D30 are connected with a gap of 19 mm. When using Tube Adapter D30, this gap increases by 5.5 mm on each side.



**Transverse Fastener D30**

2 fastener halves, die-cast aluminium, natural  
 Washer, St, bright zinc-plated  
 Hexagon Socket Head Cap Screw DIN 912-M6x28, St, bright zinc-plated  
 Hexagon nut DIN 934-M6, St, bright zinc-plated  
 Compression spring, St, stainless  
 m = 65.3 g

1 set

0.0.637.90



**Cap D30 R**

PA-GF  
 m = 0.3 g

grey similar to RAL 7042, 1 pce.

0.0.624.11



Support you can rely on.

Simple and universal

No profile processing necessary

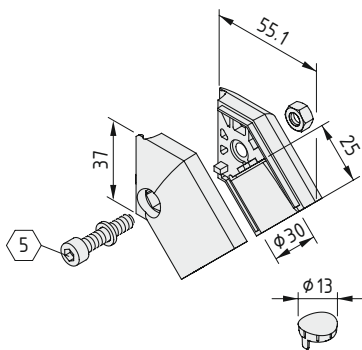
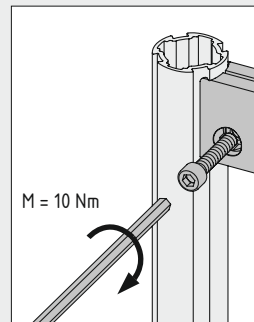
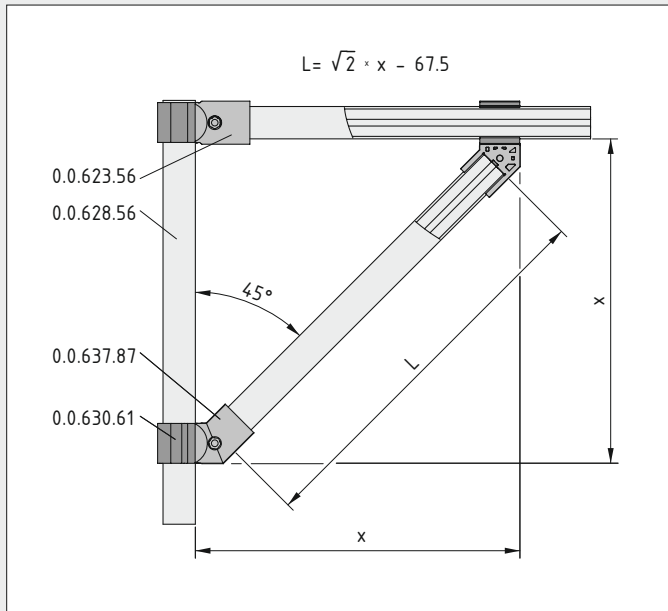
### Fastener D30-45°

The fast 45° connection for Tubes, Profile Tubes and Profiles D30 – with tolerance compensation and potential equalisation built in.  
Ideal for latticework structures and diagonal bars for absorbing torque, easy to fit and inexpensive.



#### Tip

Cap D30 R (0.0.624.11) holds the nut in place in the Fastener when creating the screw connection. This makes assembly a great deal easier – even in awkward positions!



#### Fastener D30-45°

2 fastener halves, GD-Al, natural  
Washer, St, bright zinc-plated  
Hexagon Socket Head Cap Screw DIN 912 M6x28, St, bright zinc-plated  
Hexagon nut DIN 934 M6, St, bright zinc-plated  
m = 102.0 g

1 set

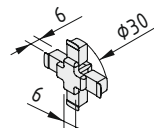
0.0.637.87

#### Cap D30 R

PA-GF  
m = 0.3 g

grey similar to RAL 7042, 1 pce.

0.0.624.11

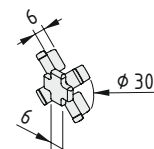


#### Anti-Torsion Block 6 D30

PA-GF  
m = 1.4 g

grey similar to RAL 7042, 1 pce.

0.0.630.39



#### Anti-Torsion Block 6 D30-45°

PA-GF  
m = 1.4 g

grey similar to RAL 7042, 1 pce.

0.0.630.40

Not a scratch.

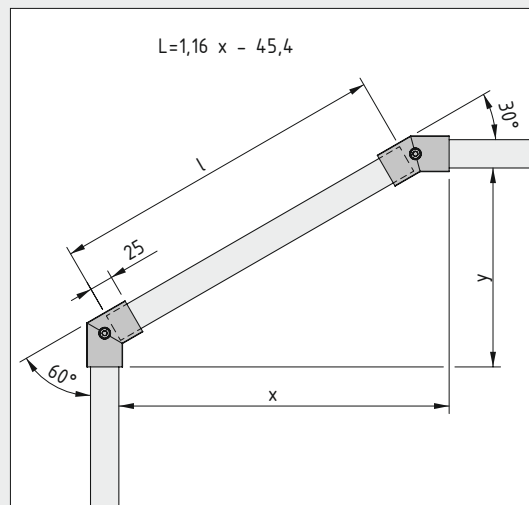


New

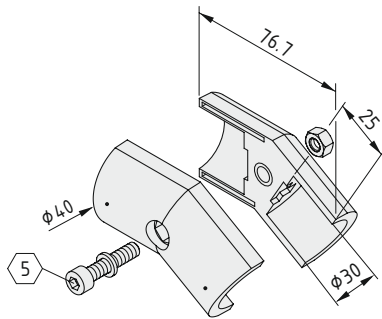
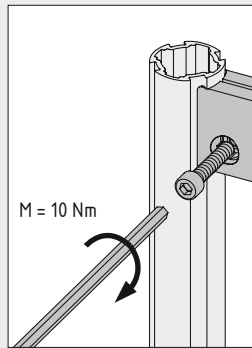
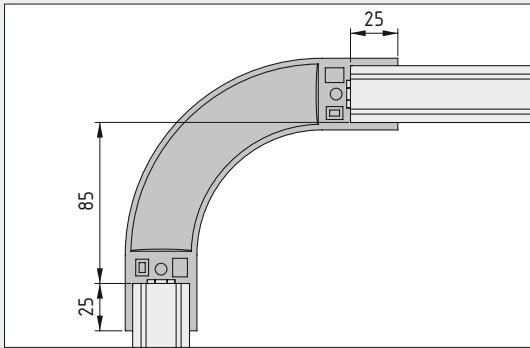
## Butt Fasteners D30

D30 gets even curvier. Butt Fasteners D30-30°, D30-60° and D30-90° even out otherwise prominent right angles to produce smooth transitions. For example, Butt Fastener D30-90° stops trolleys getting tangled up in the strip curtains often found in factory halls. The rounded edges ensure that the plastic strips simply slide off to the side.

Butt Fasteners D30-30° and D30-60° are ideal for building FIFO racks with ergonomic goods removal points.







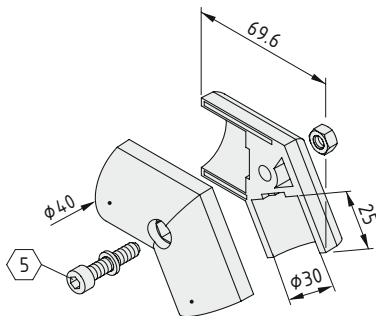
**Butt Fastener D30-30°**

New

2 butt fastener halves, die-cast aluminium, natural  
 Washer, St, bright zinc-plated  
 Hexagon Socket Head Cap Screw DIN 912-M6x28, St, bright zinc-plated  
 Hexagon nut DIN 934-M6, St, bright zinc-plated  
 m = 128.3 g

natural, 1 set

0.0.646.10



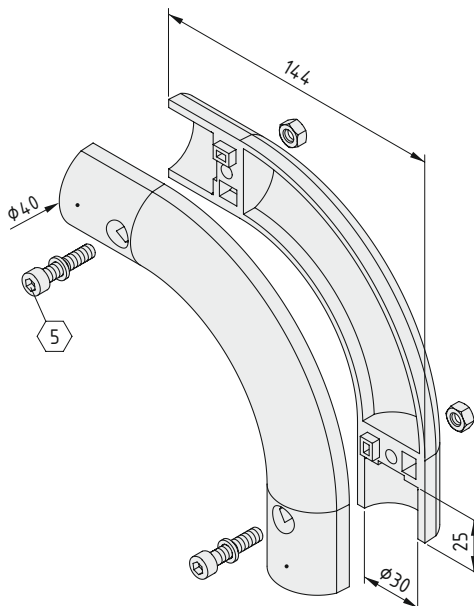
**Butt Fastener D30-60°**

New

2 butt fastener halves, die-cast aluminium, natural  
 Washer, St, bright zinc-plated  
 Hexagon Socket Head Cap Screw DIN 912-M6x28, St, bright zinc-plated  
 Hexagon nut DIN 934-M6, St, bright zinc-plated  
 m = 128.8 g

natural, 1 set

0.0.646.94



**Butt Fastener D30-90°**

New

2 butt fastener halves, die-cast aluminium, natural  
 2 washers, St, bright zinc-plated  
 2 Hexagon Socket Head Cap Screws DIN 912-M6x28, St, bright zinc-plated  
 2 hexagon nuts DIN 934-M6, St, bright zinc-plated  
 m = 240.0 g

natural, 1 set

0.0.647.02

Articulate.



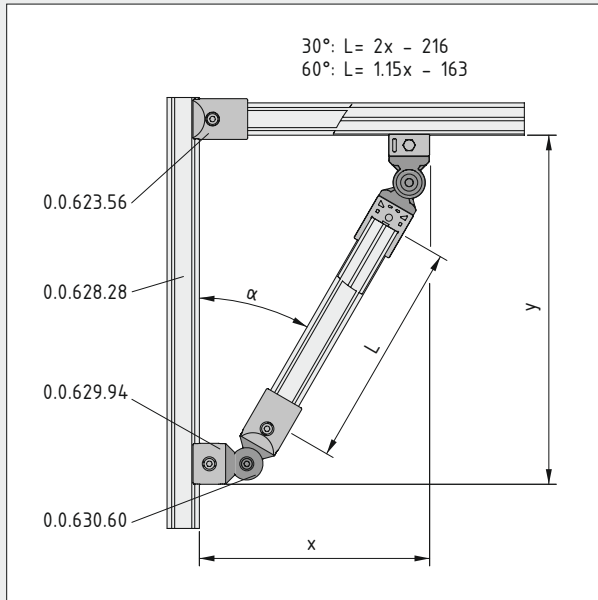
## Angle Fastener D30

Connects Profiles and Tubes D30 at any angle in the form of either butt or side connections. That is the strength of Angle Fastener D30.

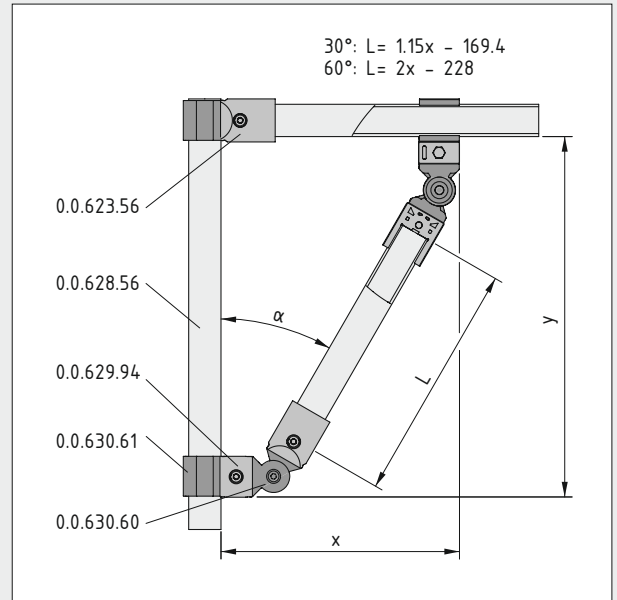
Its fastening surface matches the contour of Profiles D30, making it a universal fastener. As a result, it can be combined with Fastener D30 or Parallel Fastener D30 to create whichever connection is required.

Caps D30 F are used to cover over the screw connection of the fastener, making cleaning easy and ensuring your design looks its best. Two Caps D30 F can be used for each Angle Fastener D30.

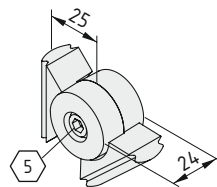
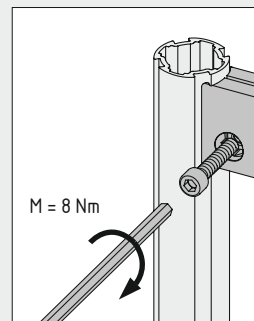
Profile Tube D30



Tube D30 with Tube Adapter D30



The length of connecting profile L is determined by the fastening elements that are used.



Angle Fastener D30

2 angle fastener halves, die-cast aluminium, natural  
Angle fastener screw, St, bright zinc-plated  
Angle fastener nut, St, bright zinc-plated  
m = 66.0 g

1 pce.

0.0.630.60



Cap D30 F

PA-GF  
m = 0.2 g

grey similar to RAL 7042, 1 pce.

0.0.629.80



Well rounded.

New

## Ball Joint Fastener D30

## Ball Joint Fastener 8 D30

Turning on a pin. Ball Joint Fasteners are used to install struts at any angle in the flick of a wrist. A stable integral ball in the fastener provides outstanding versatility, enabling users to twist and turn the fastener to the desired angle and fix it in place with a single screw.

The Ball Joint Fasteners can be turned through 180° in all directions. As a result, they are ideal for fastenings in any spatial arrangement.

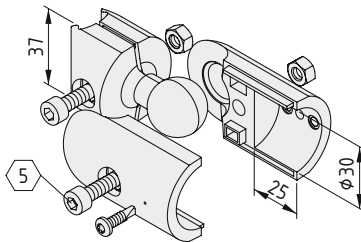
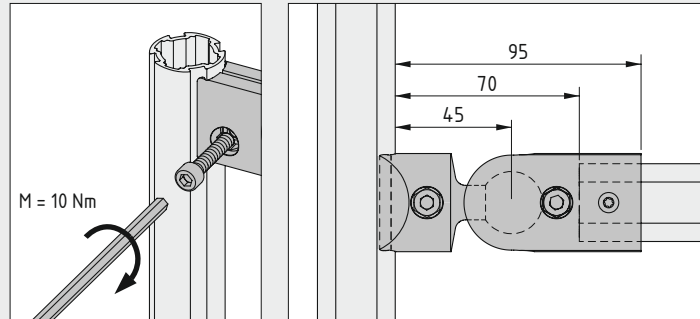


### Tip

The self-tapping screw supplied can be screwed into the fastener half to provide additional hold.



Ball Joint Fastener 8 D30 incorporates a flange plate that enables connection to a Line 8 Profile.



**Ball Joint Fastener D30**

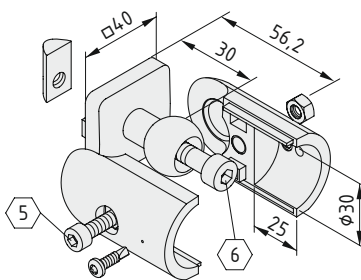
New

- 2 ball joint fastener ball halves, die-cast aluminium
- 2 ball joint fastener socket halves, die-cast aluminium
- 2 Hexagon Socket Head Cap Screws DIN 912-M6x28, St, bright zinc-plated
- 2 washers, St, bright zinc-plated
- 2 hexagon nuts DIN 934-M6, St, bright zinc-plated
- Button-Head Screw, self-tapping, St, 3.9x16, Tx20

m = 205.0 g

natural, 1 set

0.0.646.85



**Ball Joint Fastener 8 D30**

New

- Ball 40x40, die-cast aluminium
- 2 ball joint fastener socket halves, die-cast aluminium
- Hexagon Socket Head Cap Screw DIN 912 M6x28, St, bright zinc-plated
- Hexagon Socket Head Cap Screw DIN 912-M6x40, St, bright zinc-plated
- Washer, St, bright zinc-plated
- Hexagon nut DIN 934-M6, St, bright zinc-plated
- Button-Head Screw, self-tapping, St, 3.9x16, Tx20
- T-Slot Nut V8 St M8, bright zinc-plated

m = 190.0 g

natural, 1 set

0.0.650.98



**Cap D30 R**

- PA-GF
- m = 0.3 g

grey similar to RAL 7042, 1 pce.

0.0.624.11



A strong hold.

Straightforward assembly

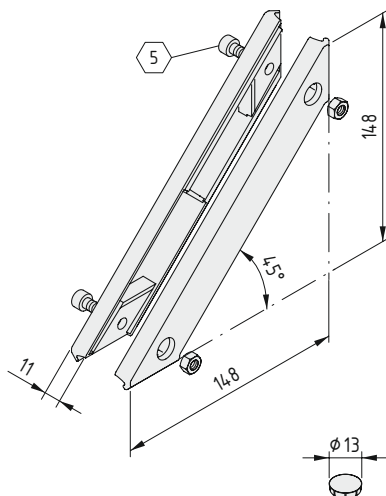
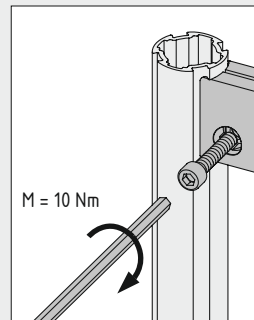
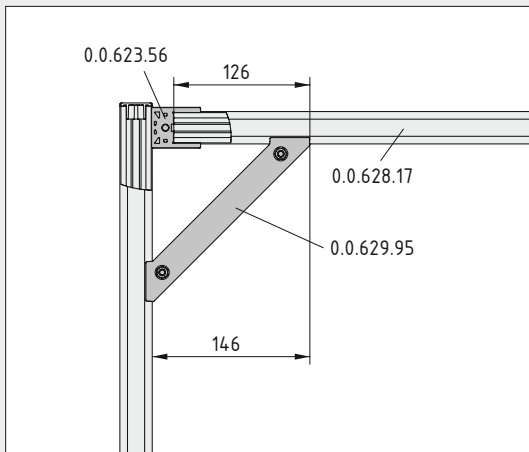
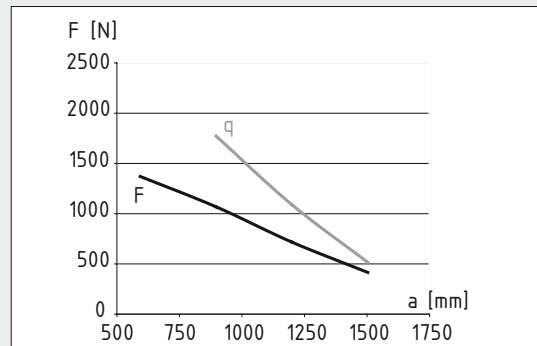
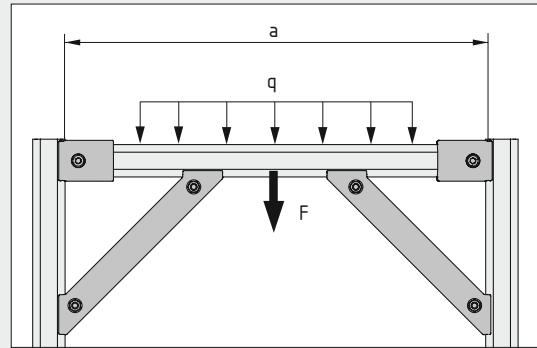
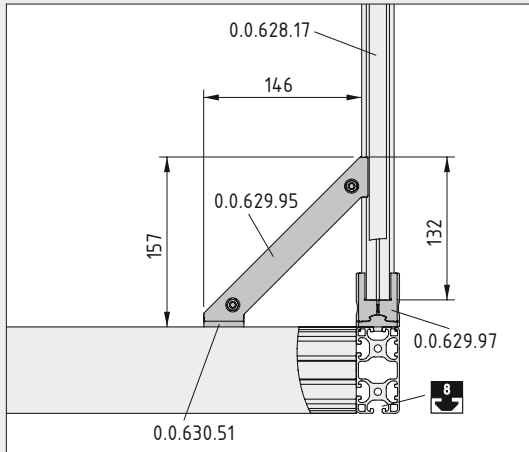
High load-carrying capacity



### Bracing Strut D30-90°

An enhancement for the 90° fastener when bending moments generate load stress. The Bracing Strut is also easy to retrofit, can be screwed into place quickly and provides effective support for the fastening point.

Caps D30 F are used to cover over the screw connection of the Bracing Strut, making cleaning easy and ensuring your design looks its best. Four Caps D30 F can be used for each Bracing Strut.



**Bracing Strut D30-90°**

2 bracing strut halves, die-cast aluminium, natural  
 2 Hexagon Socket Head Cap Screws DIN 912 M6x15, St, bright zinc-plated  
 2 hexagon nuts DIN 934-M6-5, St, bright zinc-plated  
 m = 171.0 g

1 set

0.0.629.95

**Cap D30 F**


PA-GF  
 m = 0.2 g  
 grey similar to RAL 7042, 1 pce.

0.0.629.80



Bridging the gap.

No additional components are required



### End Connector 8 D30-90°

When a flexible structure made from Line D30 is to be fitted to a stable and exceptionally strong substructure constructed using Line 8 Profiles, the End Connector 8 D30-90° provides the ideal solution.

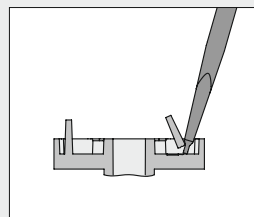
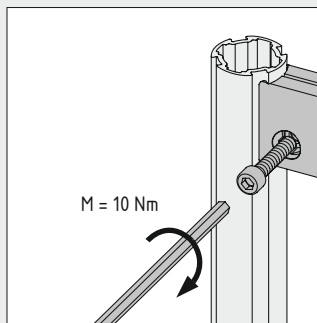
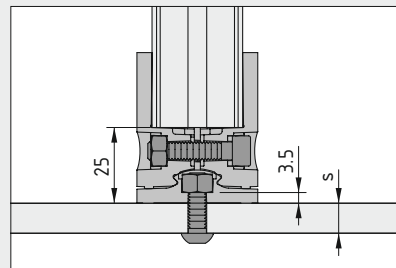
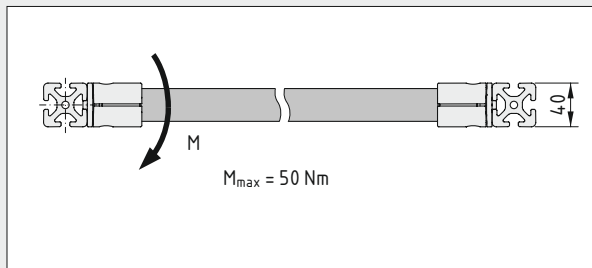
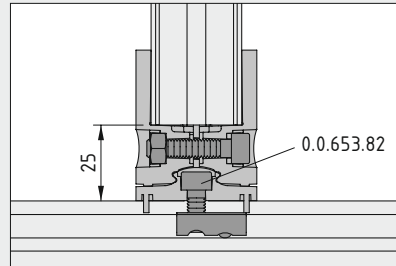
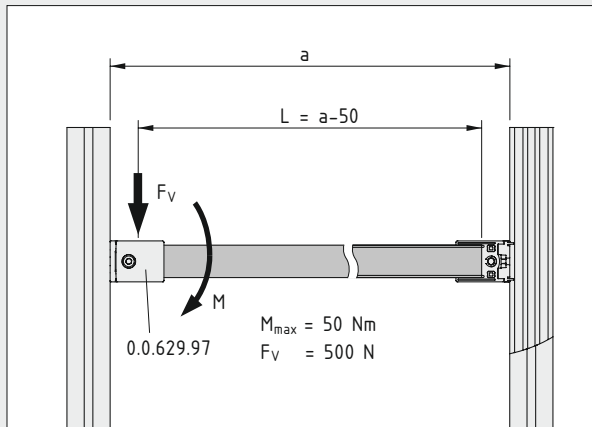
The base plate is screwed to the Profile 8 groove and secured to prevent it twisting. The clamping jaws encompass Tubes D30 and Profiles D30. Breaking off the anti-torsion features allows End Connector 8 D30-90° to be fitted at any angle of rotation.

Caps D30 R cover over the screw connection of End Connector 8 D30-90°, making cleaning easy and ensuring your design looks its best.

Two Caps D30 R can be used for each End Connector 8 D30-90°.

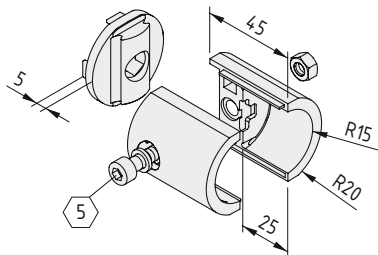
Anti-Torsion Blocks 6 D30 ensure that Profiles D30 and Profile Tubes D30 are correctly aligned in End Connector 8 D30-90°.





The anti-torsion features must be removed when fastening End Connector 8 D30-90° to any component other than a Profile 8 groove. An M6 nut can be inserted into the connection adapter to create a screw connection.

Use a slotted screwdriver to break off the anti-torsion features.

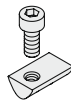


#### End Connector 8 D30-90°

2 connector halves, die-cast aluminium, natural  
 Connector 8 D30-90° adapter, die-cast aluminium, natural  
 Hexagon Socket Head Cap Screw DIN 912 M6x28, St, bright zinc-plated  
 Hexagon nut DIN 934 M6-5, St, bright zinc-plated  
 Washer, St, bright zinc-plated  
 m = 115.0 g

1 set

0.0.629.97



#### Fastening Set 8 D30

1 Hexagon Socket Head Cap Screw DIN 912-M6x14, St, bright zinc-plated  
 1 T-Slot Nut 8 St M8, bright zinc-plated  
 m = 16.0 g

1 set

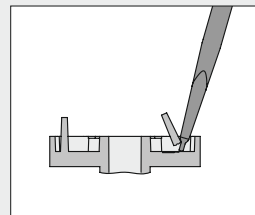
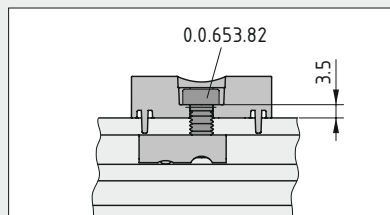
0.0.653.82

Know no limits.

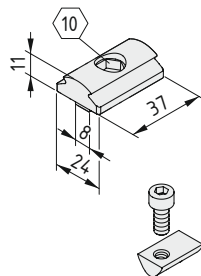
Simple and universal

### Adapter 8 D30

A universal interface for Line D30. By creating a connecting contour, Adapter 8 D30 allows you to connect fastening elements to Profile 8 grooves or any flat surface. Production tolerances are easily balanced out. Consequently, attaching a structure made using Line D30 couldn't be easier.



Use a slotted screwdriver to break off the anti-torsion features.



#### Adapter 8 D30

Die-cast aluminium  
m = 17.7 g

1 pce.

0.0.630.51

#### Fastening Set 8 D30

1 Hexagon Socket Head Cap Screw DIN 912-M6x14, St, bright zinc-plated  
1 T-Slot Nut 8 St M8, bright zinc-plated  
m = 16.0 g

1 set

0.0.653.82

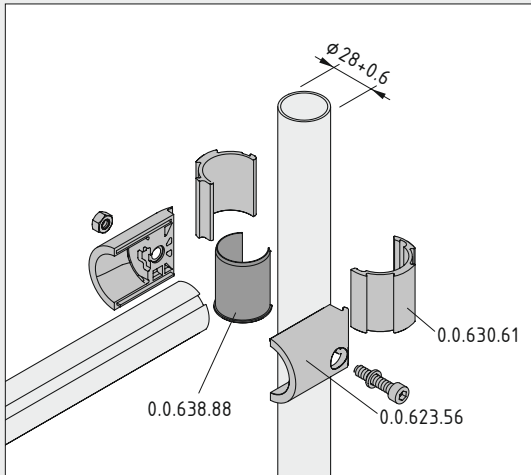
A close-up photograph of a metal medical cart frame. The frame consists of several horizontal and vertical tubes. A prominent horizontal tube in the foreground is connected to a vertical tube on the left using a black plastic clamp. Other horizontal tubes are visible in the background, some connected with silver metal clamps. The overall structure is made of polished metal.

Making the right connections.

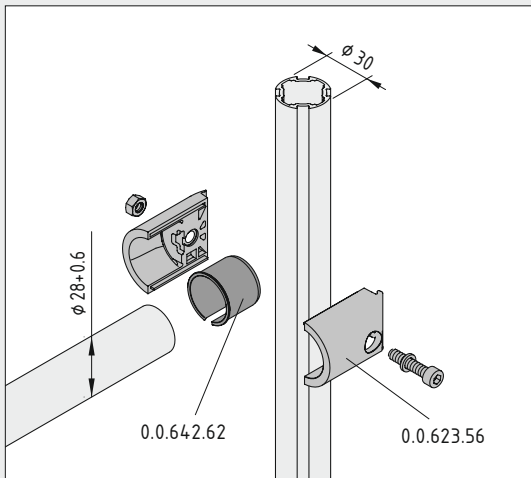


### Adapter D30/D28

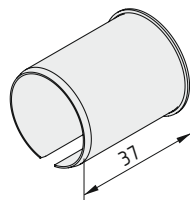
Backed the wrong horse? We have something that might just help:  
You can now connect an existing structure built using a tube system with a diameter of 28 mm to the new Line D30 from item.



Thanks to Adapter D30/D28, it couldn't be easier to make the transition to a whole new dimension. Simply attach the Adapter to the tube ( $\phi 28$  mm), place a Tube Adapter D30 over it and the way is clear for extending your old structure using the innovative Line D30.



To connect an existing Tube D28 to an item Profile Tube D30, simply insert Adapter D30/D28-25 into an item Fastener D30 and the connection will hold!



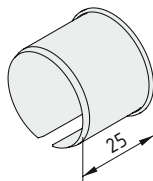
#### Adapter D30/D28 - 37

PA-GF

m = 3.0 g

grey similar to RAL 7042, 1 pce.

0.0.638.88



#### Adapter D30/D28-25

PA-GF

m = 2.5 g

grey similar to RAL 7042, 1 pce.

0.0.642.62

When round meets square.

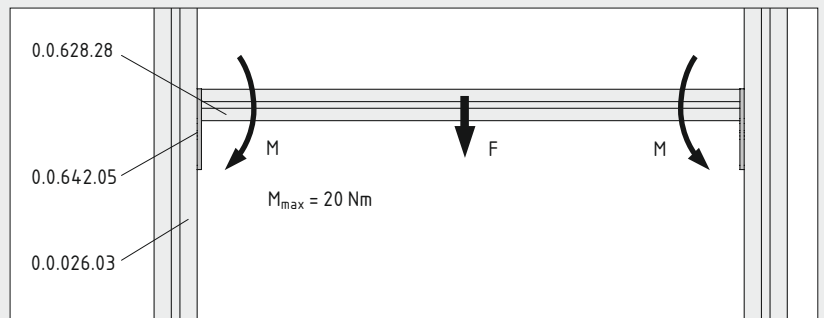


### Tube Holder D30

A stable connection. A strong, space-saving solution for fastening a (Profile) Tube D30 between two profiles from the item MB Building Kit System. Tube Holder D30 is available in two designs for screwing Tubes directly to Profile 6 or Profile 8 grooves.

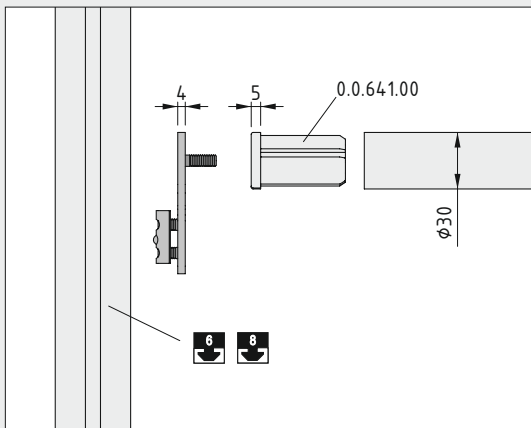
An M6 screw makes the connection with (Profile) Tube D30:

- Using Threaded Insert D30 M6 in Tube/Profile Tube D30
- Via a direct screw connection with an M6 thread in the core bore of Profiles 6 D30

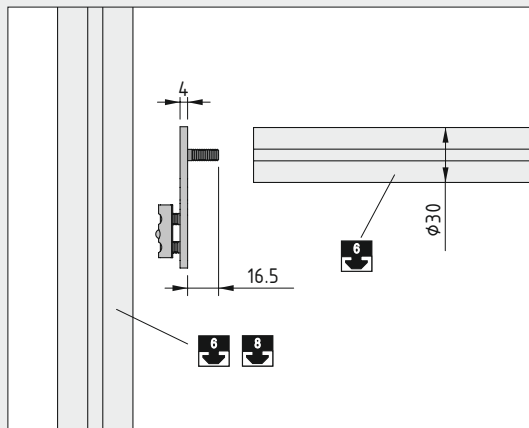




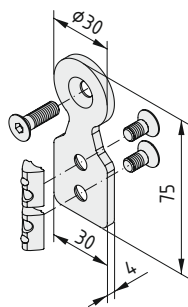
When round meets square.  
 Making it easy to connect the Line D30 with Line 8 or Line 6.  
 This solution makes it possible to use the cylindrical tube system of Line D30 to extend or reinforce a conventionally designed application based on the MB system.



When using Tube D30 (0.0.628.56) or Profile Tube D30 (0.0.628.28), the M6 thread is provided by Threaded Insert D30 M6 (0.0.641.00).



When using Profile 6 D30, an M6 thread is cut directly into the core bore.



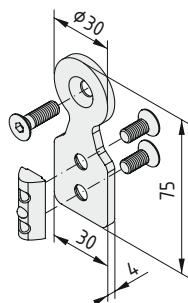
#### Tube Holder 6 D30



Bracket D30 flat, St  
 2 T-Slot Nuts 6 St M6  
 2 Countersunk Screws DIN 7991-M6x12, St  
 Countersunk Screw DIN 7991-M6x20, St  
 m = 69.0 g

bright zinc-plated, 1 set

0.0.642.23



#### Tube Holder 8 D30



Bracket D30 flat, St  
 Special T-Slot Nut F 8 St M6  
 2 Countersunk Screws DIN 7991-M6x14, St  
 Countersunk Screw DIN 7991-M6x20, St  
 m = 71.0 g

bright zinc-plated, 1 set

0.0.642.05



## Fastening elements.

### Endless possibilities

Structural components are enhanced by fastening elements for panelling and working surfaces and for making sure information and container mountings are close to hand. This opens up new opportunities for integration into existing production facilities or adding functional elements with ease. Elements from third-party suppliers can also be added.

Use of the Profile 6 groove in Profiles 6 D30 means that components from the item MB Building Kit System are ideally compatible. Using T-Slot Nuts allows heavy-duty fastenings to be created in next to no time. And the diverse, tried-and-tested range of fastening elements from Line 6 are the perfect complement to the new D30 fasteners.

A fitting footnote.



## Threaded Insert D30

The universal fastener for all parts that are to be fitted to the ends of Tubes or Profile Tubes D30. Available in thread sizes M6, M8 and M10 and also with ESD protection.

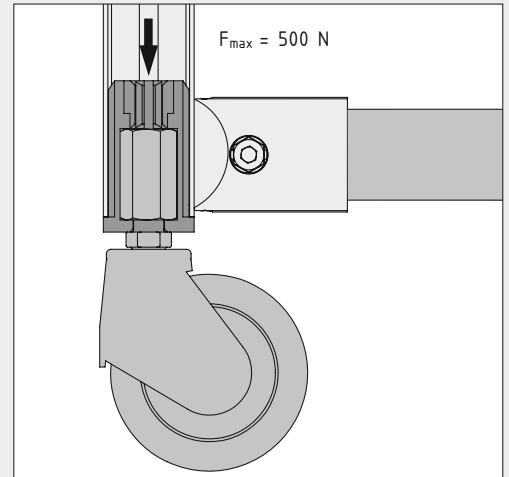
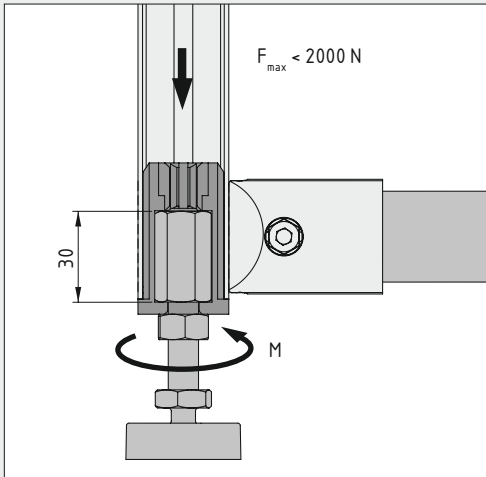
Furthermore, Threaded Inserts offer a simple means of attaching Tubes and Profile Tubes D30 to Panels, Flat Brackets and any other structure.



### Tip

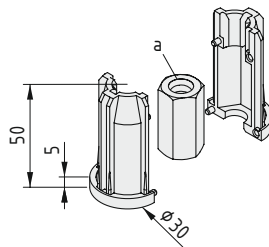
Use screw fixing agent to secure Swivel Castors.





**Permissible tightening torque**

a	M <sub>max</sub>
M6	12 Nm
M8	16 Nm
M10	20 Nm



**Threaded Insert D30 M6**

2 threaded insert halves D30, PA-GF  
Hexagon nut M6x30, St, bright zinc-plated  
a = M6 m = 55.0 g

grey similar to RAL 7042, 1 set

0.0.641.00

**Threaded Insert D30 M6 ESD**



2 threaded insert halves D30, PA-GF, electrostatically dissipative  
Hexagon nut M6x30, St, bright zinc-plated  
a = M6 m = 55.0 g

black, 1 set

0.0.640.99

**Threaded Insert D30 M8**

2 threaded insert halves D30, PA-GF  
Hexagon nut M8x30, St, bright zinc-plated  
a = M8 m = 51.0 g

grey similar to RAL 7042, 1 set

0.0.640.96

**Threaded Insert D30 M8 ESD**



2 threaded insert halves D30, PA-GF, electrostatically dissipative  
Hexagon nut M8x30, St, bright zinc-plated  
a = M8 m = 51.0 g

black, 1 set

0.0.640.98

**Threaded Insert D30 M10**

2 threaded insert halves D30, PA-GF  
Hexagon Nut M10x30, St, bright zinc-plated  
a = M10 m = 50.0 g

grey similar to RAL 7042, 1 set

0.0.634.36

**Threaded Insert D30 M10 ESD**



2 threaded insert halves D30, PA-GF, electrostatically dissipative  
Hexagon nut M10x30, St, bright zinc-plated  
a = M10 m = 50.0 g

black, 1 set

0.0.640.82

Heavy metal.

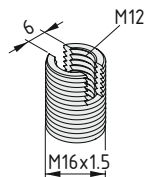
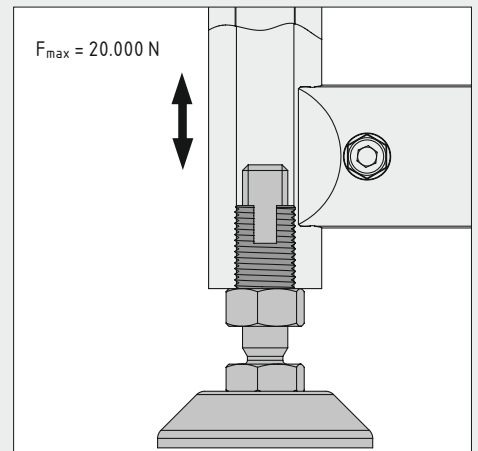
New

## Threaded Insert, Profile Tube D30 heavy duty M12

Our strongest partnership. Used with Profile Tube D30 heavy duty, this M12 threaded insert can withstand an astounding 20,000 N of compressive and tensile loading.

The self-tapping thread means there is no need to pre-tap a thread in the core bore.

The threaded insert can be used to screw all sorts of attachments into the end face of Profile D30 heavy duty.



Threaded Insert, Profile Tube D30 heavy duty M12

New

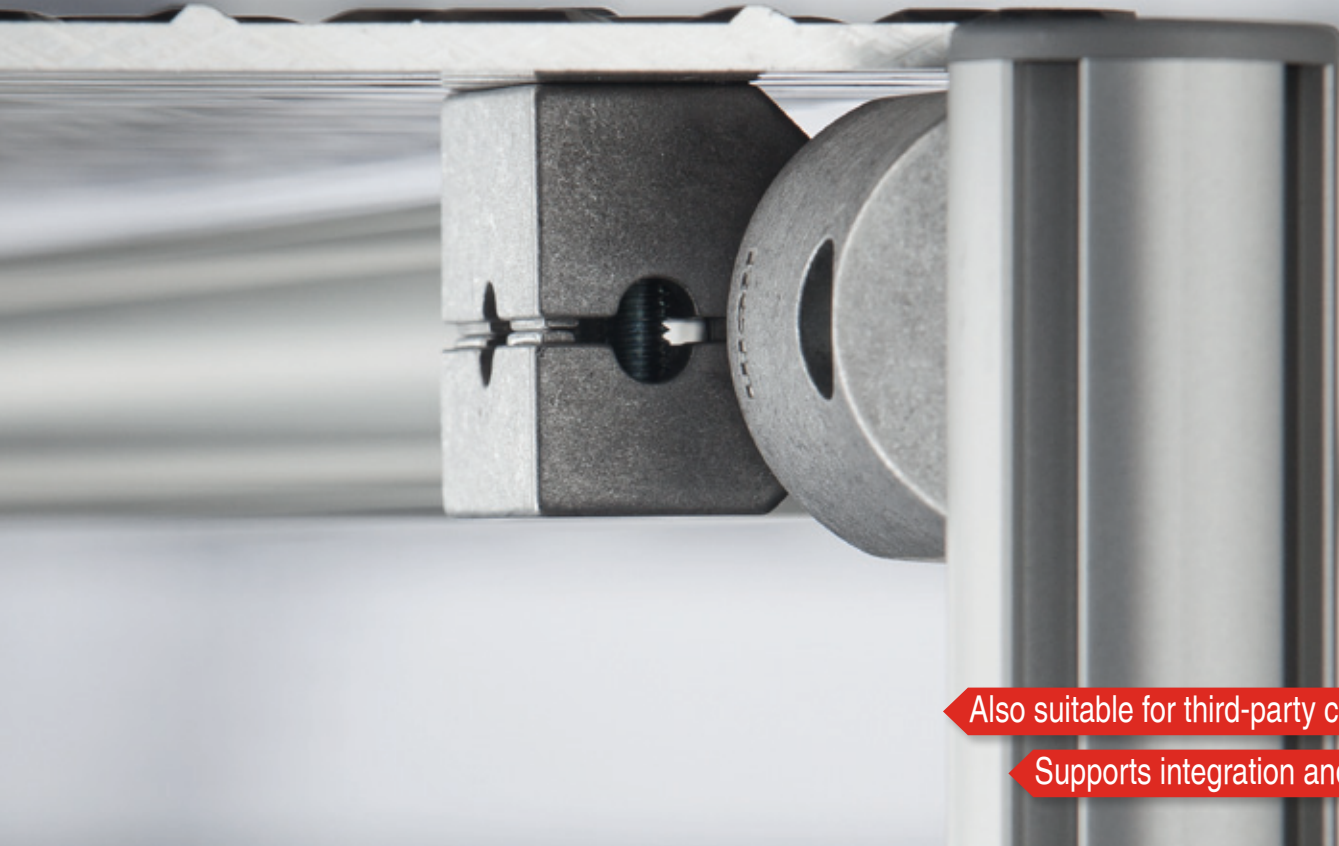
St

m = 11.2 g

bright zinc-plated, 1 pce.

0.0.648.64

The third dimension.



Also suitable for third-party components

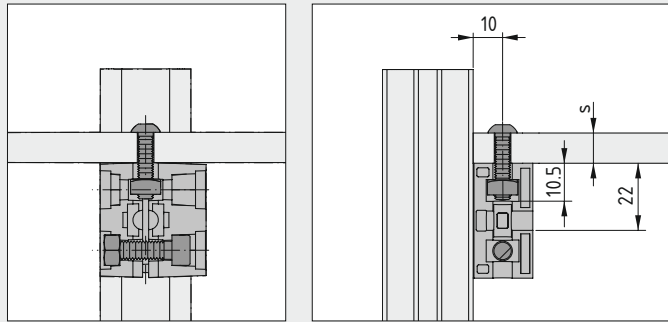
Supports integration and extension

## Multiblock D30

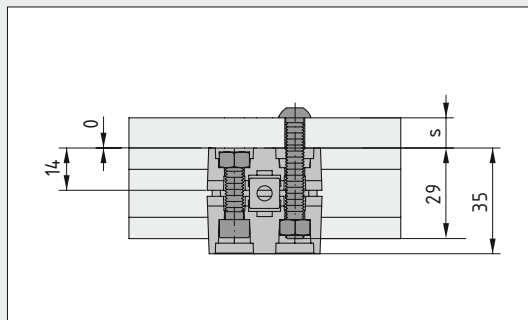
The heavy-duty, universal fastening point on Tubes, Profile Tubes and Profiles 6 D30 – the aluminium Multiblock. It offers a stable connection point for panels or mounting plates, non-system components and functional elements that have been developed in house. Attachments can be screw-connected in all three spatial directions. As the two halves of Multiblock D30 are different sizes, attachments can be fastened at a tangent to the profile groove or Fastener on different levels.

Multiblock D30 is screwed to the contour of Profile Tubes and Profiles 6 D30. Tube Adapter D30 is required to connect the fastener to a Tube D30.

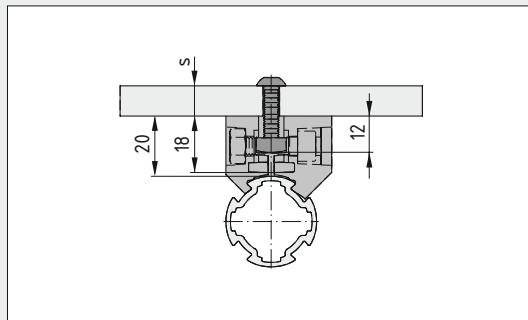
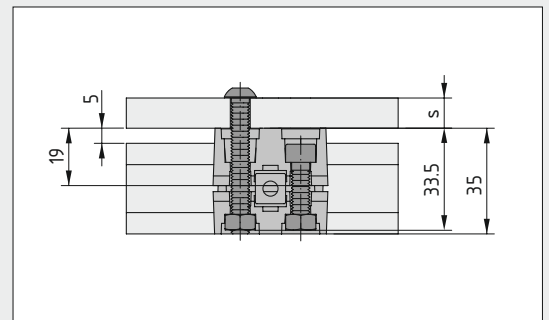
Caps D30 F cover over the screw connection of Multiblock D30, making cleaning easy and ensuring your design looks its best. Up to four can be used.



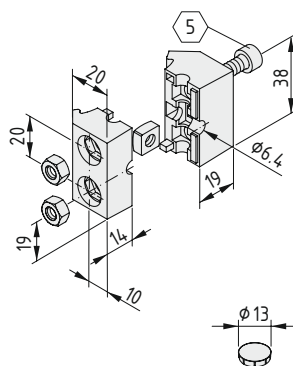
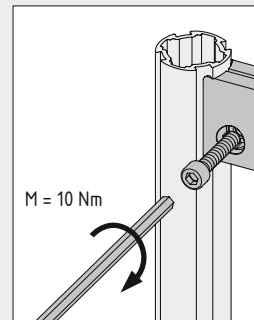
1. Fastening a panel to a vertical profile



2. Fastening a panel along the length of a profile, clearance 0 and 5 mm



3. Fastening a panel along the length of a profile, clearance 20 mm



#### Multiblock D30

Multiblock D30 half M6 K, die-cast aluminium, natural  
 Multiblock D30 half M6 G, die-cast aluminium, natural  
 Square nut DIN 557 M6-5, St, bright zinc-plated  
 2 hexagon nuts DIN 934 M6-5, St, bright zinc-plated  
 Hexagon Socket Head Cap Screw DIN 912 M6x22, St, bright zinc-plated  
 m = 71.5 g

1 set

0.0.629.96

#### Cap D30 F

PA-GF  
 m = 0.2 g

grey similar to RAL 7042, 1 pce.

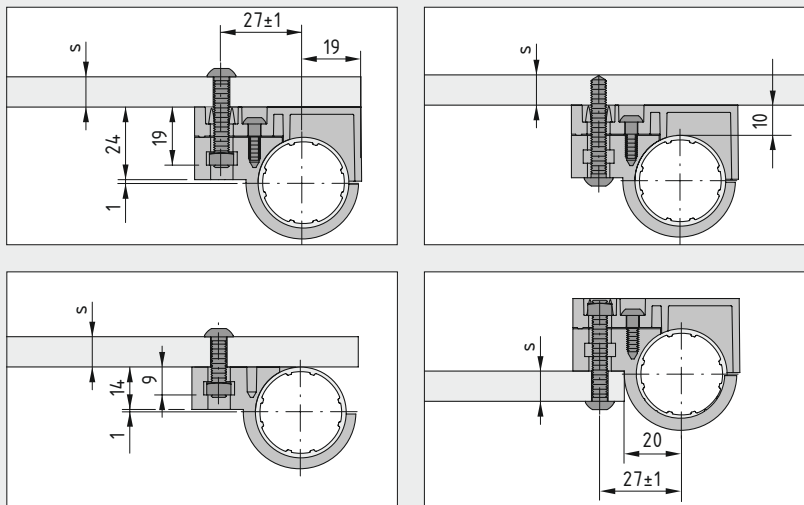
0.0.629.80



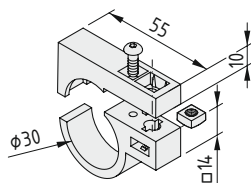
Perfectly flat.

### Panel Fastener D30

The universal fastening for panel elements that are used for panelling, screening and light mechanical loads. Can be applied directly to both Tubes and Profiles D30. The height adjuster is used when fastening panels that are to run along the outside of tube structures.



Panel Fastener D30 for a diverse range of fastening options – install panel elements in tube frames or run them along the outside of a tube structure. Using the height adjuster ensures that panels have sufficient clearance from Fasteners.



#### Panel Fastener D30

Height adjuster, PA-GB, grey, similar to RAL 7042  
 Basic unit, PA-GB, grey, similar to RAL 7042  
 Button-Head Screw T4x12, St, bright zinc-plated  
 Square nut DIN 557-M5, St, bright zinc-plated  
 m = 19.2 g

1 set

0.0.630.74

Firm hold.

Machining-free panel fastening

New



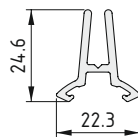
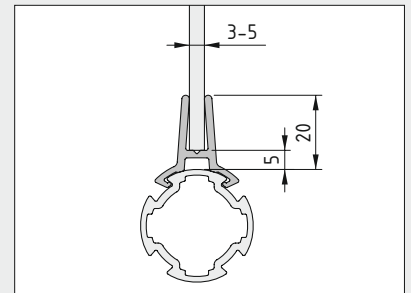
## Panel-Fixing Profile D30 3-5 mm

The quickest way to fasten a panel. The Panel-Fixing Profile is pushed onto a Profile Tube D30 and slotted onto a panel element that is between 3 and 5 mm thick. That's all there is to it! Fitting these profiles around all the edges of the panel produces the necessary holding force. And the all-round, virtually sealed fastening also provides added protection from splashes and dirt.

Multi-Purpose Pliers (0.0.265.63) can be used to cut the profile to length.

The Panel-Fixing Profile also stops the panel element coming into direct contact with the support profile, which helps reduce noise levels.

It is also available in an electrostatically dissipative (ESD-safe) design.



### Panel-Fixing Profile D30 3-5mm

New

PP  
m = 90.0 g/m  
grey, 1 pce., length 3000 mm

0.0.649.29

### Panel-Fixing Profile D30 3-5 mm ESD

New

PP  
m = 90.0 g/m  
black, 1 pce., length 3000 mm

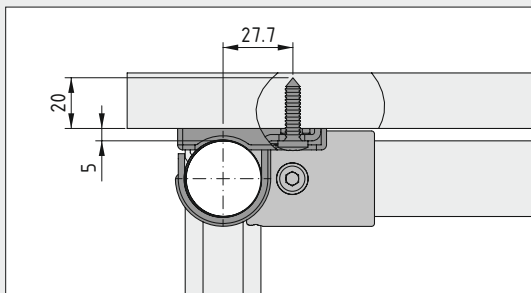
0.0.652.81



Top table.

### Table-Top Fastening Set D30

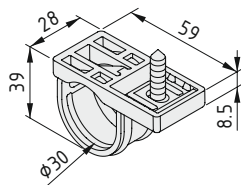
The robust fastening for connecting table tops made from chipboard or multi-ply panels to tube constructions built with Line D30. Positioned in an instant and tightened with the self-tapping screw. A steel clip produces a stable and strong fastening while a plastic spacer protects the parts that are connected together.



The clip is laid over the Tube D30 and fastened directly to the table top with the included screw, which is driven through the plastic spacer.

The plastic spacer beds the clip in place and creates the 5 mm gap made necessary by the use of Fasteners D30.

Note: Slide Strip D30 (0.0.634.55 ESD or 0.0.634.42) can be used to cover the gap between the table top and Profile Tube.



#### Table-Top Fastening Set D30

Sheet material, St, bright zinc-plated

Spacer, PA-GF, grey

Screw 6x25-TX30, self-tapping, St, bright zinc-plated

m = 65.0 g

1 set

0.0.646.91

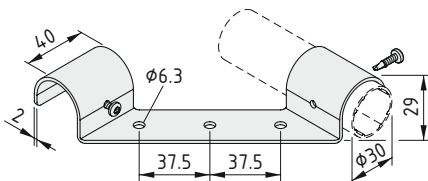
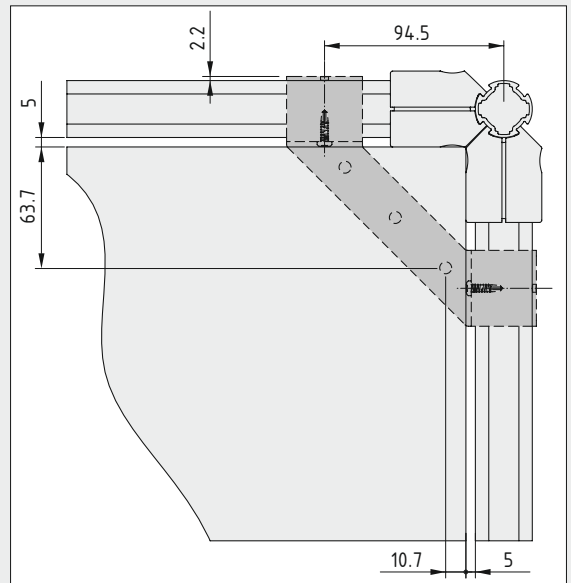


Support from below.

### Table-Top Fastening Bracket D30

The rapid solution for supporting horizontal panels. Position a Table-Top Fastening Bracket in each corner of a D30 frame and place on top any panel material – that's all it takes to create load-carrying shelving for storage systems or workpiece carriers, etc.

If required, the Table-Top Fastening Bracket D30 can also be screwed to the panel, thereby further stabilising the frame.



#### Table-Top Fastening Bracket D30

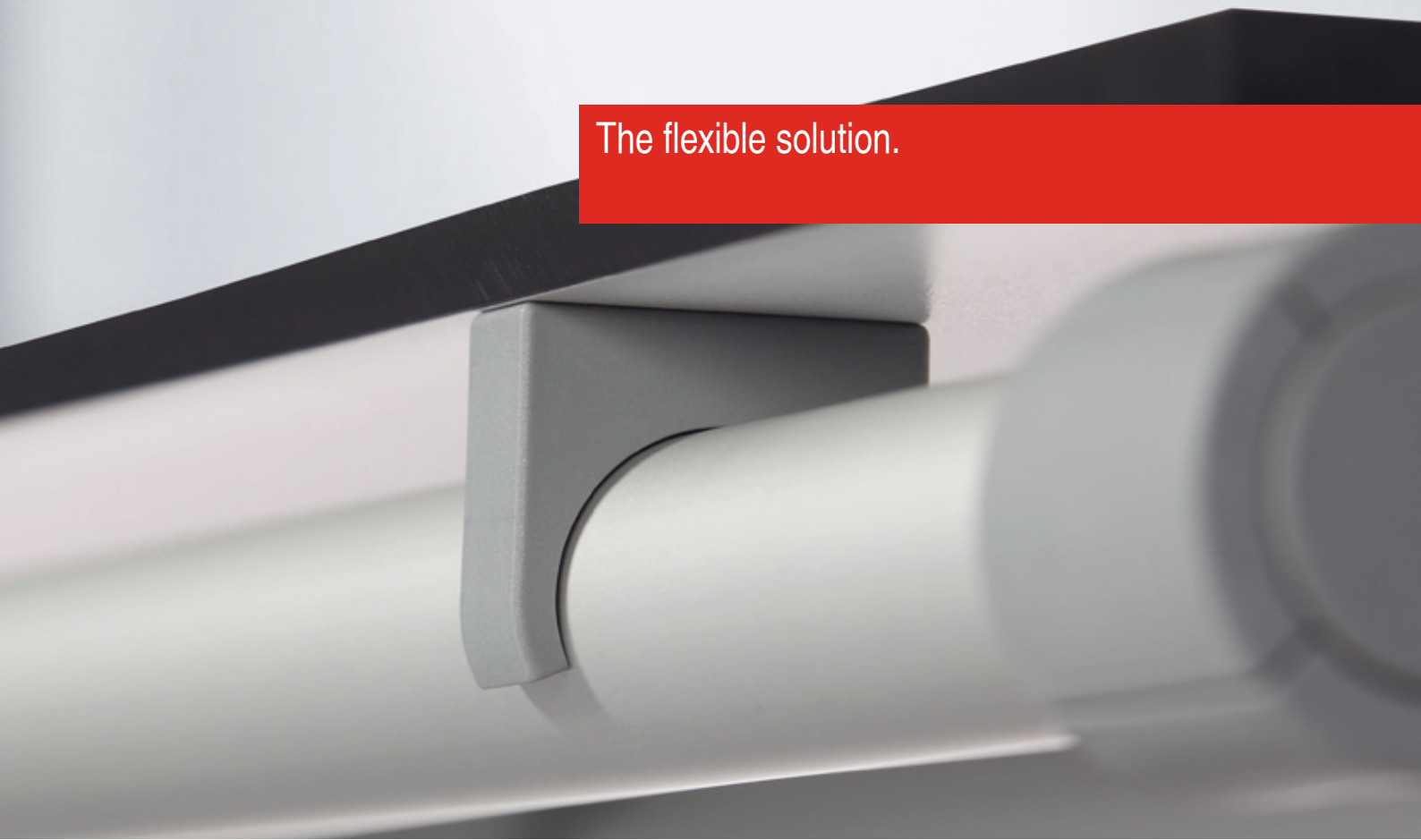
Sheet Material, St, bright zinc-plated  
 2 Button-Head Screws, self-tapping St 3.9x16, TX 20  
 m = 141.0 g

bright zinc-plated, 1 set

0.0.647.11



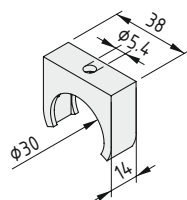
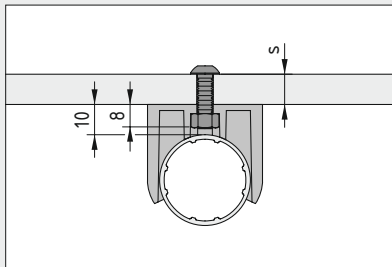
The flexible solution.



## Tube Clamp D30

The simple fastening clip that is fixed externally to Tubes and Profiles D30. Suitable for all light-weight attachments, fast tool-free fitting and simple to remove. The flexible solution, even when something only needs to be attached temporarily.

A hexagon nut M5 can be inserted into the Tube Clamp.



### Tube Clamp D30

PA-GF

m = 8.7 g

grey similar to RAL 7042, 1 pce.

0.0.630.83



Clear workspace, clear mind.

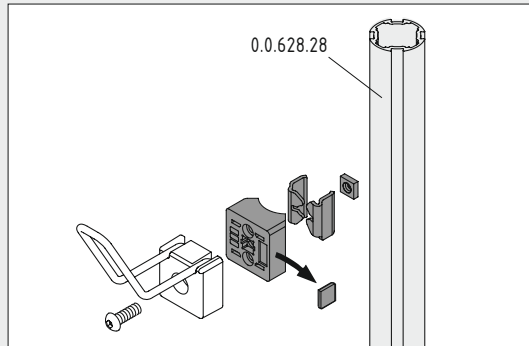
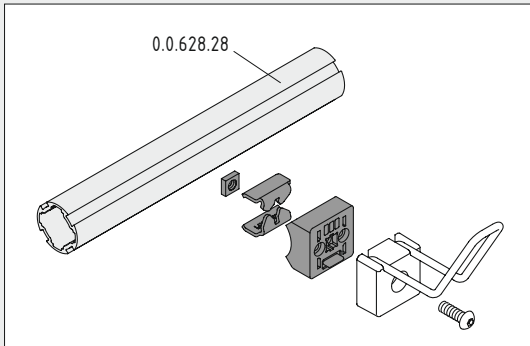


### Hook and Holder Adapter D30

Multifunctional and award-winning design (iF 2011 Gold Award, German Design Award 2012) – the item hooks and holders storage system combines form and function.

Hook and Holder Adapter D30 now brings this functionality to all Line D30 applications. It allows users to fasten any hook or holder they wish to (Profile) Tubes D30 via the central tensioning screw.

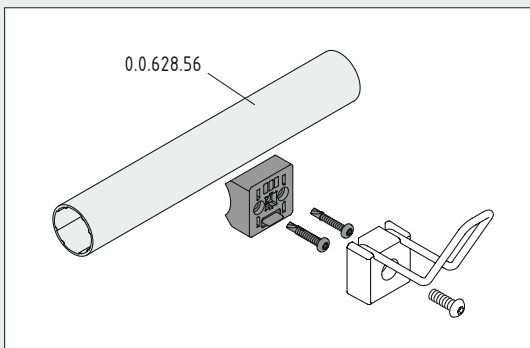
As a result, rapid access to tools and materials is now possible on all constructions built using Line D30.



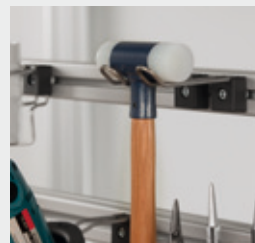
The retaining plates are used when fastening the adapter to a Line D30 Profile Tube. They use the outer profiling, hold the adapter firmly in place and are easy to position.

When using the adapter with vertical struts, the removable anti-torsion feature must be taken out prior to assembly.

Recommended tightening torque for fastening screw:  
M = 5 Nm.

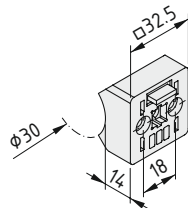


The adapter can also be fastened to Tube D30 (0.0.628.56). Self-tapping screws (0.0.644.99) are used in this case. The retaining plates must be removed from the adapter.



Tip

You can find hooks and holders in our Comprehensive Catalogue – Ergonomic work benches – Page 78-80.



Hook and Holder Adapter D30 <span style="float: right;">8</span>	
Adapter D30, PA-GF	
2 plates, St, bright zinc-plated	
Square nut DIN 562-M6-04, St, bright zinc-plated	
m = 26.0 g	
black, 1 set	0.0.645.27
grey, 1 set	0.0.644.57

Button-Head Screw, self-threading St 3.9x25, TX 20	
St, bright zinc-plated	
m = 1.9 g	
1 pce.	0.0.644.99

42

Place cards.



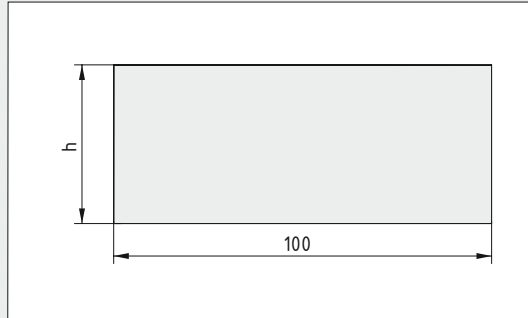
### Label Holder D30

Clear markings keep everyone on track. Legible and fixed labels reduce error rates and increase efficiency.

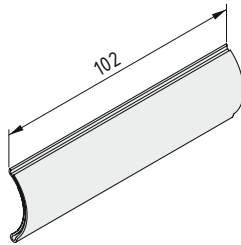
The Label Holders enable users to attach labels to Profiles and Tubes by keeping labelling cards securely encased in transparent film.

Two versions are available – one for attaching labels directly to the tube and one for suspending labels below the tube in a flexible transparent pocket (“flex” version). Both are permanently glued to the tube.

Label Holders D30 are available ready-cut in lengths of 100 mm or as a profile that can be cut to size as required.



Recommended size of label cards:  
 Label Holder D30: h = 28 mm  
 Label Holder D30 flex: h = 42 mm

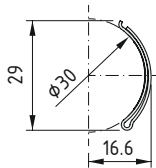


**Label Holder D30-100**

PVC  
 Self-adhesive  
 m = 7.0 g

transparent, 1 pce.

0.0.644.69

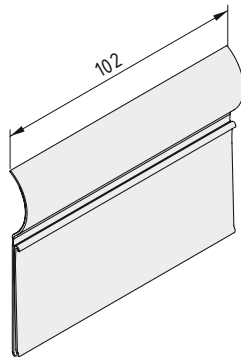


**Label Holder D30**

PVC  
 Self-adhesive  
 m = 66.5 g/m

transparent, 1 pce., length 2000 mm

0.0.643.97

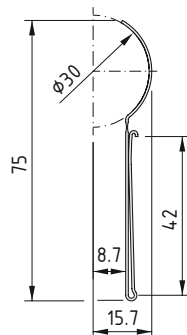


**Label Holder D30-100 flex**

PVC  
 Self-adhesive  
 m = 13.0 g

transparent, 1 pce.

0.0.644.71

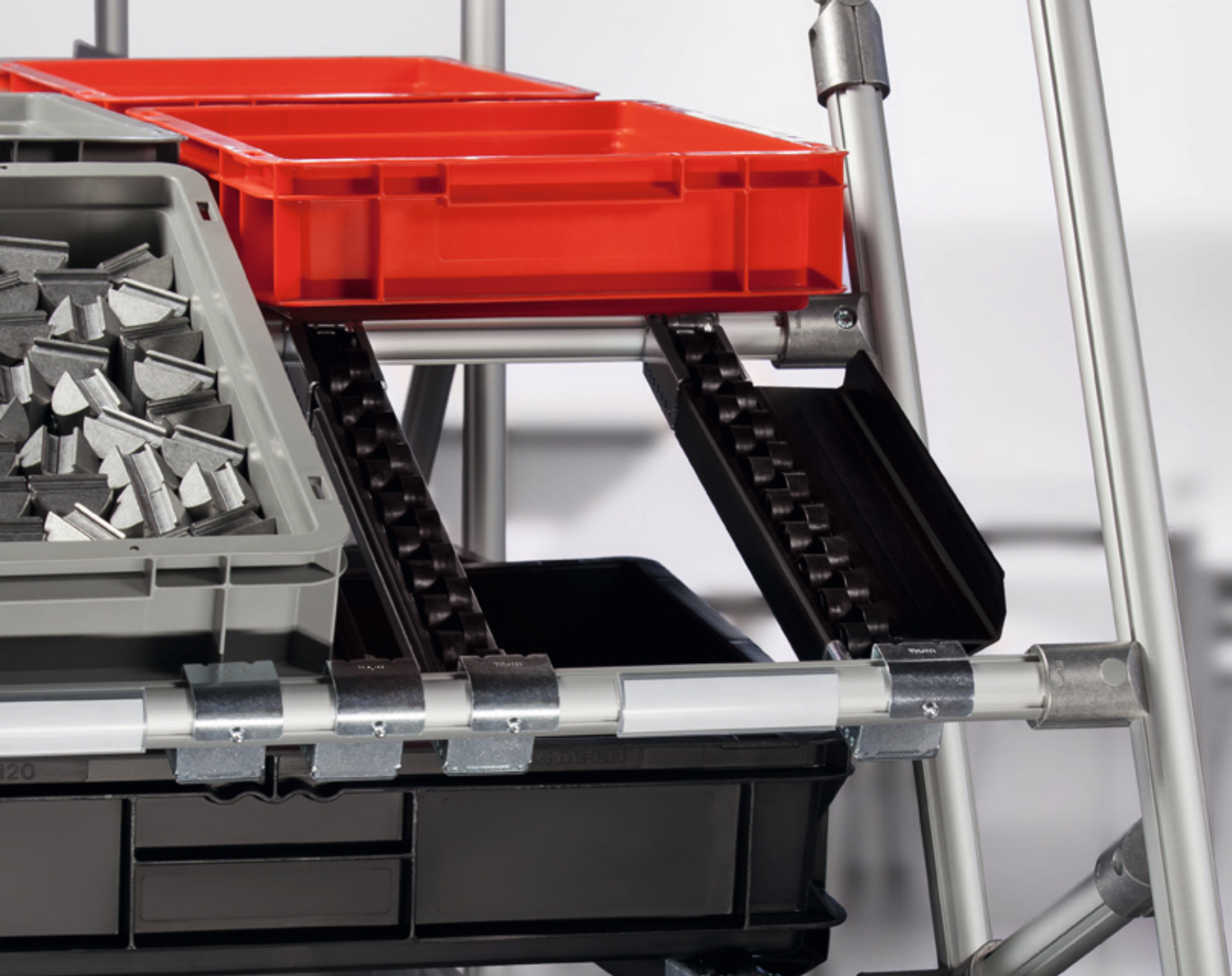


**Label Holder D30 flex**

PVC  
 Self-adhesive  
 m = 128 g/m

transparent, 1 pce., length 2000 mm

0.0.643.98



## Material flow.

### Fast movers.

Getting your production in full swing. Conveyor systems get finished parts, consumables and goods to where they are needed with outstanding efficiency. In modern production systems, roller conveyors don't just take the strain off personnel, they also keep everyone well supplied and form local buffers. Intermediate storage and FIFO racks provide the basis for a flexible production system. The material flow components in Line D30 can be designed and installed extremely quickly. Two solutions are available:

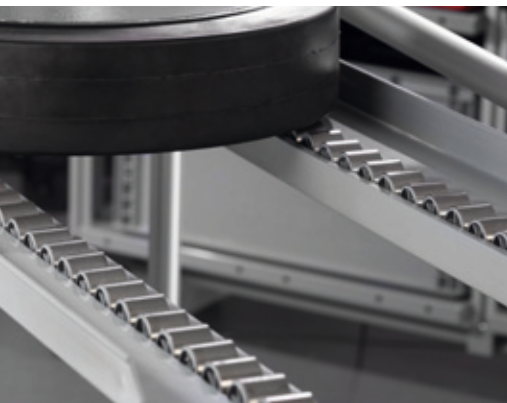
The robust, preassembled Roller Conveyor St D30 is ready for use straight away and can be supplied with castors suitable for a variety of purposes. Specialised versions help to lower noise levels or incorporate steel-covered castors that are particularly resistant to sharp-edged or hot components.

Castor Rail 8 40x40 is the versatile all-rounder that can be fitted with a whole range of different inserts including everything from castors in different colours to castor balls, brushes and Slide Strip Wedges. All the various inserts can be combined in a single castor rail, if required.

Rolling zones.

For modern production systems

Ideal for Kanban shelves



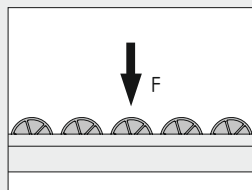
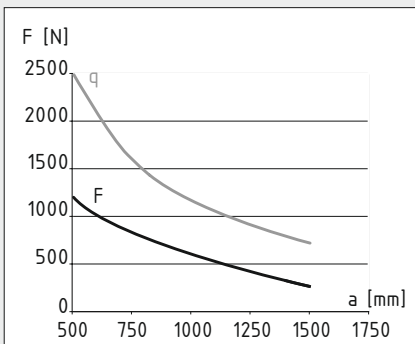
### Roller Conveyor St D30

It couldn't be easier. The easy-running Roller Conveyor with steel axles and an exceptional service life is delivered ready for use. Simply cut it to the necessary length, select the best brackets, screw it in place and your conveyor line is good to go! Depending on how smoothly the line needs to run, users can choose between the standard Roller Conveyor D30 (33 mm hub spacing) or Roller Conveyor D30/2 (16.5 mm hub spacing).

New

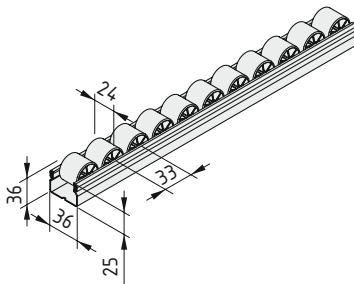
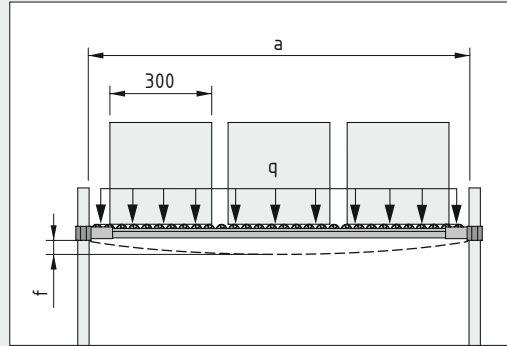
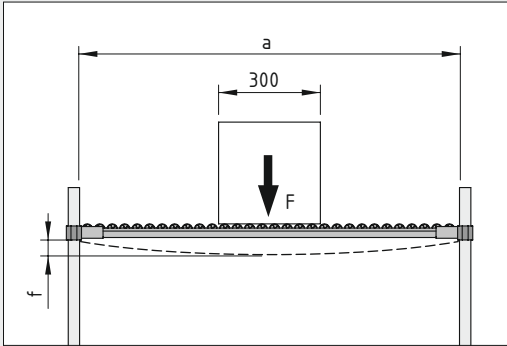
### Roller Conveyor St D30 with Steel Castor Surfaces

Our most robust castor yet! Thanks to their steel covering, the castors in this conveyor are resistant to hot, metallic and sharp-edged components. Things that would scratch or damage standard castors can usually be transported directly on Roller Conveyor St D30 with Steel Castor Surfaces, without first having to be placed in a container.



Permissible force on each individual roller of the Roller Conveyor St D30:  $F < 100N$

Load specifications for two parallel Roller Conveyors.  
Maximum recommended profile deflection:  $f < 1/100 a$



#### Roller Conveyor St D30

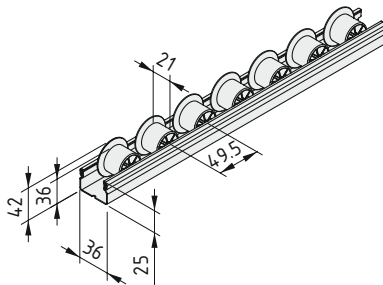
St, bright zinc-plated  
 Rollers PP, grey/black (ESD)  
 Axles St, bright zinc-plated  
 $m = 844 \text{ g/m}$

grey, 1 pce., length 4500 mm	0.0.633.91
grey, 1 pce., length 3000 mm	0.0.648.42

#### Roller Conveyor St D30 ESD



black, 1 pce., length 4500 mm	0.0.637.55
black, 1 pce., length 3000 mm	0.0.648.43



#### Roller Conveyor St D30 with Flanged Wheel

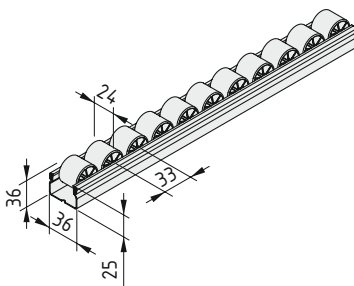
St, bright zinc-plated  
 Rollers PP, grey/black (ESD)  
 Axles St, bright zinc-plated  
 $m = 756 \text{ g/m}$

grey, 1 pce., length 4500 mm	0.0.633.92
grey, 1 pce., length 3000 mm	0.0.648.44

#### Roller Conveyor St D30 ESD with Flanged Wheel



black, 1 pce., length 4500 mm	0.0.637.56
black, 1 pce., length 3000 mm	0.0.648.45



#### Roller Conveyor St D30 with Steel Castor Surfaces



St, bright zinc-plated  
 Castors PP, grey  
 Axles St, stainless  
 $m = 1300 \text{ g/m}$

bright zinc-plated, 1 pce., length 4000 mm	0.0.650.74
--	------------



No half measures.

For exceptionally gentle transport

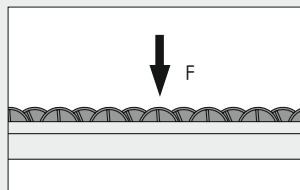


### Roller Conveyor St D30/2

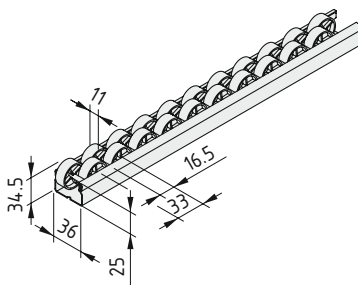
The special design that halves the gap between rollers for double the care. Roller Conveyor St D30/2 offers extremely gentle rolling motion and high load-carrying capacity.

Perfect for transporting sensitive or delicate goods and with extremely low rolling resistance.

Also available in an ESD-safe version for components with particularly high mechanical and electrical requirements.



Permissible force on each individual roller of the Roller Conveyor St D30/2:  
 $F < 50 \text{ N}$



#### Roller Conveyor St D30/2

St, bright zinc-plated  
 Rollers PP  
 Axles St, bright zinc-plated  
 $m = 900 \text{ g/m}$

grey, 1 pce., length 4500 mm	0.0.648.91
grey, 1 pce., length 3000 mm	0.0.648.77

#### Roller Conveyor St D30/2 ESD



$m = 900 \text{ g/m}$

black, 1 pce., length 4500 mm	0.0.648.94
black, 1 pce., length 3000 mm	0.0.649.54

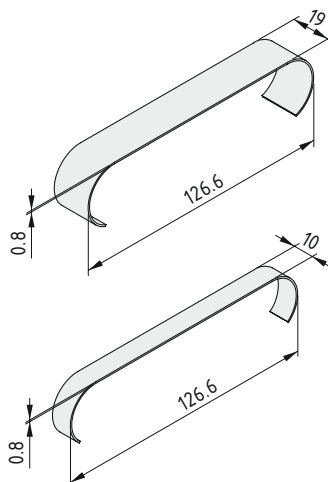
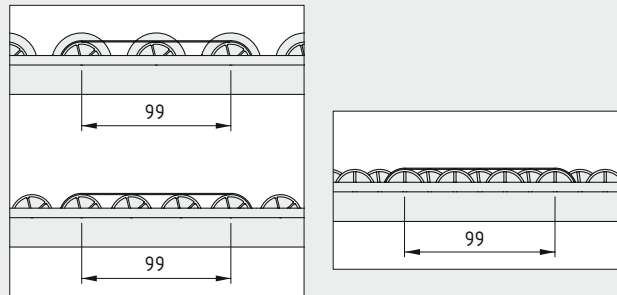
All stop.

Fits over rollers with and without side guides



### Roller Conveyor St D30 Brake

Slowing things down. This brake helps to slow down the flow of goods on Roller Conveyor St D30 at precisely the point where goods need to move more slowly. The brake is simply fitted over the castors.



#### Roller Conveyor St D30 Brake

St  
m = 20.0 g  
stainless, 1 pce.

0.0.647.76

#### Roller Conveyor St D30/2 Brake

St  
m = 10.0 g  
stainless, 1 pce.

0.0.650.55

New

Holding point.



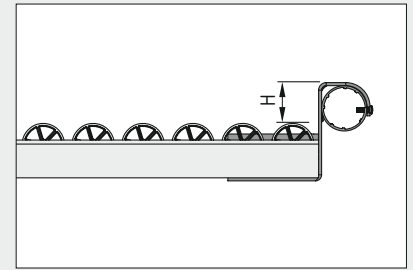
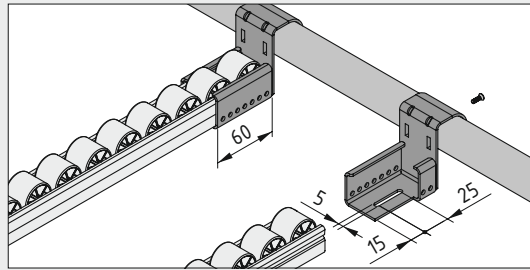
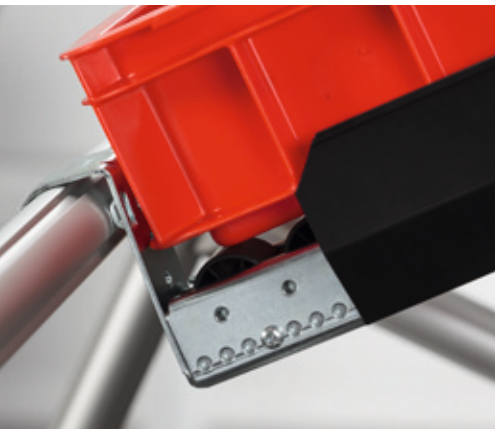
### Roller Conveyor St Fastening Brackets D30

Sound support for Roller Conveyor St D30. Simply slot in and attach to Tube D30. If required, the Roller Conveyor Fastening Bracket can also be screwed into place.



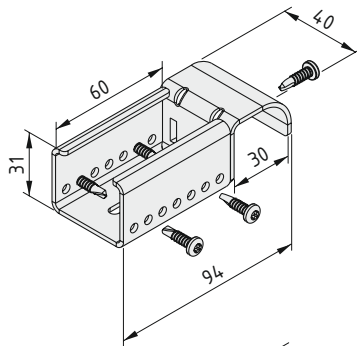
#### Tip

Detailed information on height dimensions and roller conveyor lengths can be found in a table at the end of this section.



Roller Conveyor St Fastening Bracket D30 can be fixed in place in a matter of seconds with the self-tapping Button-Head Screw – simply use a cordless driver to drive the screw into the (Profile) Tube D30.

Roller Conveyor St Fastening Brackets D30 with Stop are available with different sized stops – 27 mm or 43 mm.



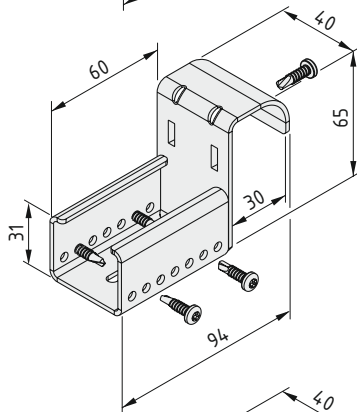
#### Roller Conveyor St Fastening Bracket D30



St  
5 Button-Head Screws, self-tapping St 3.9x16, TX 20  
m = 161.0 g

bright zinc-plated, 1 set

0.0.642.47



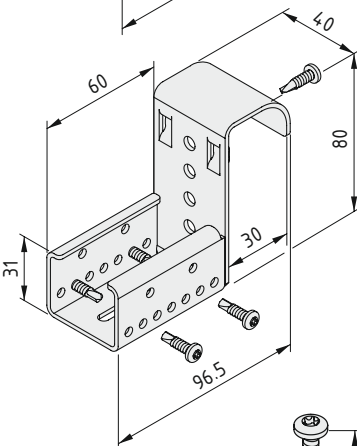
#### Roller Conveyor St Fastening Bracket D30 with Stop H27



St  
5 Button-Head Screws, self-tapping St 3.9x16, TX 20  
m = 171.0 g

bright zinc-plated, 1 set

0.0.642.46



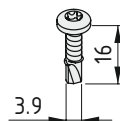
#### Roller Conveyor St, Fastening Bracket D30 with Stop H43



St  
5 Button-Head Screws, self-tapping St 3.9x16, TX 20  
m = 173.0 g

bright zinc-plated, 1 set

0.0.652.46



#### Button-Head Screw, self-tapping St 3.9x16, TX 20

St  
m = 1.4 g

bright zinc-plated, 1 pce.

0.0.642.39

Over the edge.

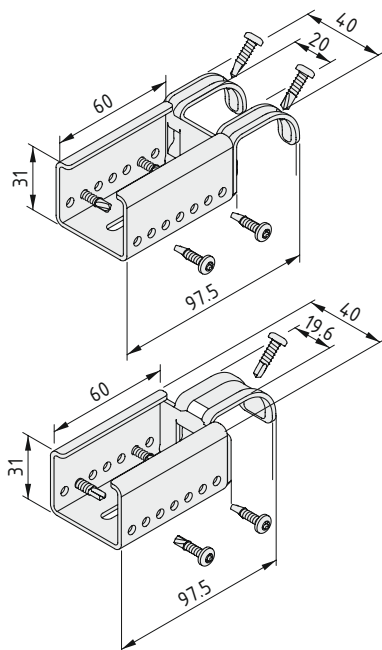
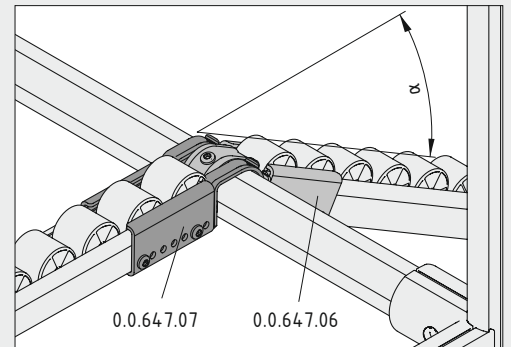
For inclined roller conveyors

Can be fitted at any angle

### Roller Conveyor St, Fastening Bracket U/I D30

The bridge between two Roller Conveyors St D30 if gradients change. Fastening bracket I slots into fastening bracket U. The fastening is securely clamped onto a (Profile) Tube D30 and can also be fixed in place using self-tapping screws. The fastener remains flexible, which means that if gradient  $\alpha$  should change at a later point in time, it can be adjusted accordingly.

An absolute must when building Kanban shelves.



#### Roller Conveyor St, Fastening Bracket U D30

St  
6 Button-Head Screws, self-tapping St 3.9x16, TX 20  
m = 150.0 g

bright zinc-plated, 1 set

0.0.647.07

#### Roller Conveyor St, Fastening Bracket I D30

St  
5 Button-Head Screws, self-tapping St 3.9x16, TX 20  
m = 145.0 g

bright zinc-plated, 1 set

0.0.647.06

Strong support.

## Roller Conveyor St, Support D30

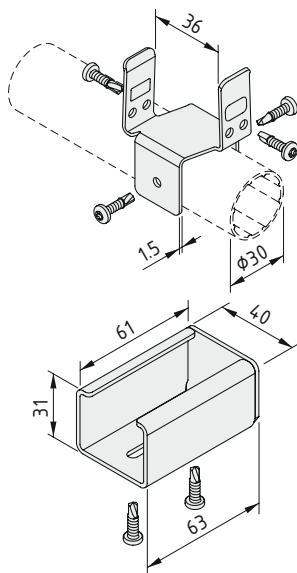
Sometimes support is essential. Even in the case of Roller Conveyors St D30, it can be useful to fit a stabilising D30 strut to counter excessive profile deflection when working with heavy loads.

In such circumstances, Support D30 makes sure that the roller conveyor doesn't move out of alignment. Screwed to the cross profile, they can also fit anywhere along the length of the roller conveyor so that subsequent adjustment work can be carried out as and when required.

## Roller Conveyor St, End Cap

Safety first! The sharp edges at the ends of exposed roller conveyors no longer need to be filed down to prevent cuts and other damage and injuries. Simply slot on the robust end cap and secure it in place with the enclosed self-tapping screws – that's all it takes to create permanent edge protection for roller conveyors.

A must for all loading and unloading stations.



### Roller Conveyor St, Support D30

St  
4 Button-Head Screws, self-tapping St 3.9x16, TX 20  
m = 46.0 g

bright zinc-plated, 1 set

0.0.647.10

### Roller Conveyor St, End Cap

St  
2 Button-Head Screws, self-tapping St 3.9x16, TX 20  
m = 117.0 g

bright zinc-plated, 1 set

0.0.647.08

Taking on a guiding role.



### Roller Conveyor St Guide Rails

They know where they're going. Guide rails add a lateral guide surface to Roller Conveyor St that keeps crates and workpieces on track.

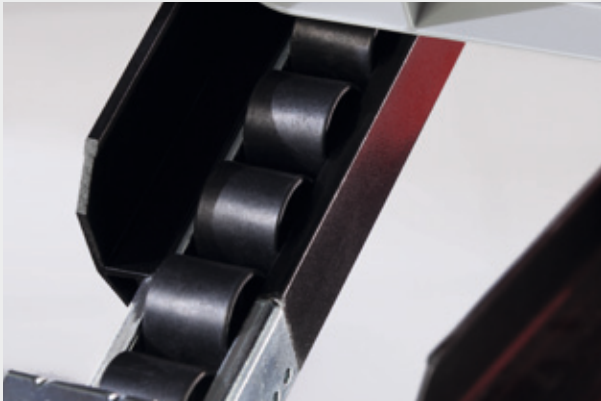
Two guide rails are available – guide rails e provide a guiding surface along the outer sides of a conveyor line and are fitted directly over Roller Conveyor St D30. Guide rails z, on the other hand, can be positioned wherever necessary and can even be used to separate parallel conveyor lines. They are installed using Brackets D30 and form separate stop and slide strips in Kanban trolleys and conveyor lines.

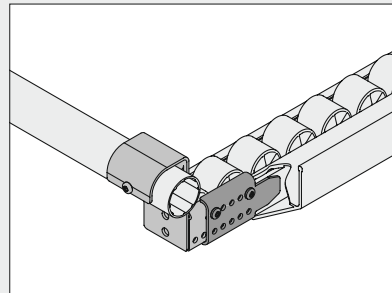
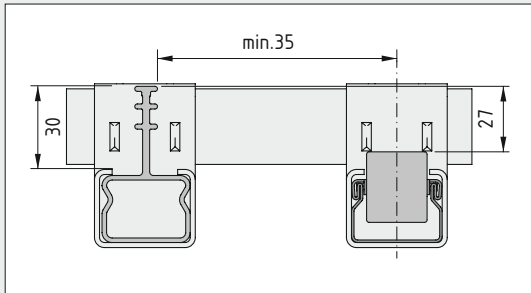
Guide rails e are subjected to strong forces when heavy transport goods are deposited on the conveyor line. The robust Retaining Plate gives the guide rails additional stability. It is screwed to the Roller Conveyor and the Roller Conveyor Fastening Bracket and absorbs impacts.

The guide rails are also available in an electrostatically dissipative (ESD-safe, black) version to help protect sensitive products.

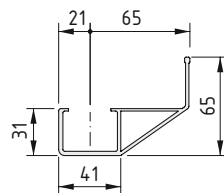


Retaining Plate, Guide Rail e can also be retrofitted to structures to provide extra support for guide rails e.





A Retaining Plate (0.0.650.83) can also be fitted to the side of guide rails e to deliver additional support. They are screwed into place using self-tapping screws driven through the upper holes in the Retaining Plate.



#### Roller Conveyor St Guide Rail e 65

PVC

m = 850 g/m

grey similar to RAL 7042, 1 pce., length 4500 mm

0.0.639.01

#### Roller Conveyor St Guide Rail e 65 ESD

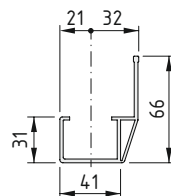


ABS ESD

m = 625 g/m

black, 1 pce., length 4500 mm

0.0.641.77



#### Roller Conveyor St Guide Rail e 32

PVC

m = 596 g/m

grey, 1 pce., length 4500 mm

0.0.648.70

#### Roller Conveyor St Guide Rail e 32 ESD

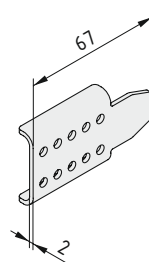


ABS

m = 468 g/m

black, 1 pce., length 4500 mm

0.0.648.72



#### Retaining Plate, Guide Rail e

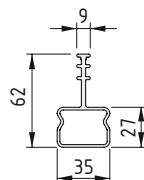
**New**

St

m = 36.0 g

bright zinc-plated, 1 pce.

0.0.650.83



#### Roller Conveyor St Guide Rail z

PVC

m = 578 g/m

grey similar to RAL 7042, 1 pce., length 4500 mm

0.0.639.05



Firm fit – flexible fixing.

Turn Profile Tubes into slideways and set-down surfaces

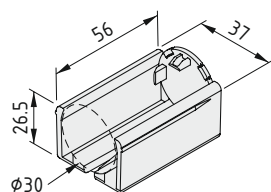
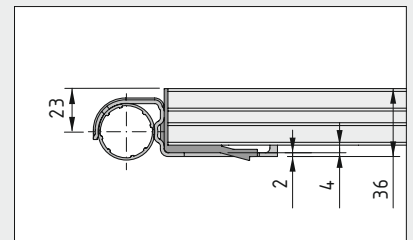
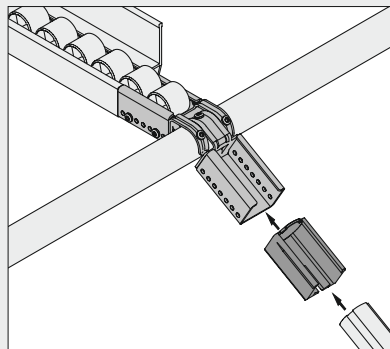
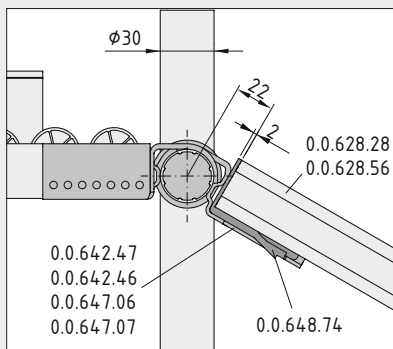


### Roller Conveyor St Fastening Bracket Adapter Sleeve D30

Have you ever tried installing a Profile Tube D30 between two parallel tubes to form a strut that can be used as a set-down surface or slideway? The adapter sleeves make it easier than ever, turning any roller conveyor fastening bracket into a tube fastener in an instant.

Simply push an adapter sleeve into a roller conveyor fastening bracket and then insert a Profile Tube – with a Slide Strip fitted to it, if you wish. That's all it takes to fit a strong horizontal or vertical strut that can be repositioned at will, or fastened permanently in place, if you prefer.

The same colour coding used for plastic components in Line D30 also applies to this product – black indicates the plastic is ESD-safe. As a result, even sensitive components can enjoy a safe ride on slideways.



#### Roller Conveyor St Fastening Bracket Adapter Sleeve D30 ESD



PA-GF  
m = 20.0 g  
black, 1 pce.

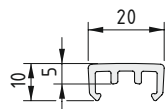
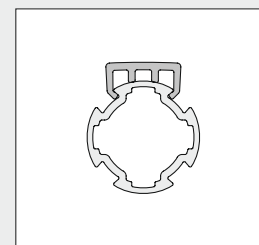
0.0.648.74

It doesn't get any faster.



## Slide Strip D30

Simply clip the Slide Strips onto Profile Tubes D30 or Profiles 6 D30 to turn profiles into conveyor lines. It doesn't get any faster!  
The black Slide Strips are electrostatically dissipative and ideal for conveying sensitive parts!



### Slide Strip D30

PE-HD  
m = 150.0 g

grey similar to RAL 7042, 1 pce., length 2000 mm

0.0.634.42

### Slide Strip D30 ESD



PE-HD  
m = 160.0 g

black, similar to RAL 9005, 1 pce., length 2000 mm

0.0.634.55

Insert here.



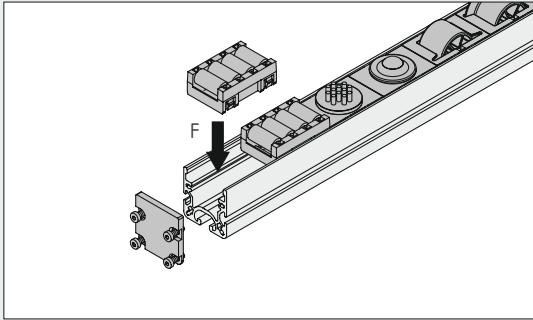
New  

### Roller Conveyor AI D30

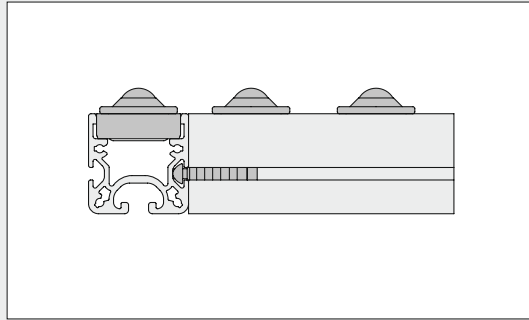
Roller Conveyor AI D30 is the specialist for tricky transport tasks. It is based on Castor Rail 8 40x40 and can be fitted with Castor, Castor Ball, Roller, Brush and Slide Strip Inserts. The inserts can be used together in any combination. Want to use coloured castors to mark fill levels? Want to change from castors to brushes? Want castor balls and a slide strip at the end? Roller Conveyor AI D30 is as versatile as your requirements are varied.

The Castor Rails themselves are inherently stable and can be installed either level or at a gradient using Roller Conveyor AI Fastening Brackets D30. The castor brake slows everything down at the take-off point.

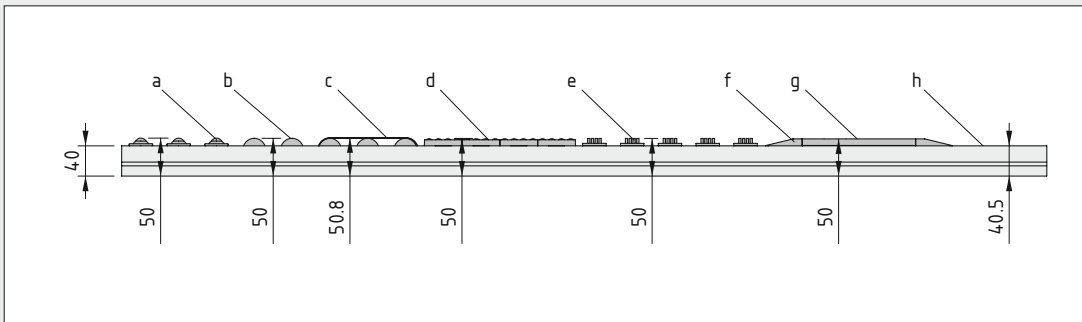




Customising Castor Rail 8 40x40 couldn't be easier: Simply push the inserts into the rail to build your ideal roller conveyor. Caps secure the ends.

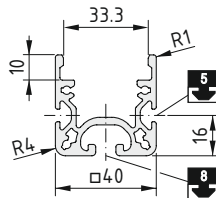


Castor Rails 8 40x40 can be interlinked using fastening elements in either the Line 5 or Line 8 grooves.



The wide range of inserts available for Castor Rail 8 40x40 make it a true all-rounder:

- a: Castor Ball Inserts ESD
- b: Castor Inserts D30/Castor Inserts D30 with Flanged Wheel, ESD-safety optional
- c: Castor Rail 8 40x40, Brake
- d: Roller Inserts 4xD11
- e: Brush Inserts ESD
- f: Slide Strip Wedge Insert ESD
- g: Castor Rail 8 40x40, Slide Strip ESD – raised installation
- h: Castor Rail 8 40x40, Slide Strip ESD – low installation

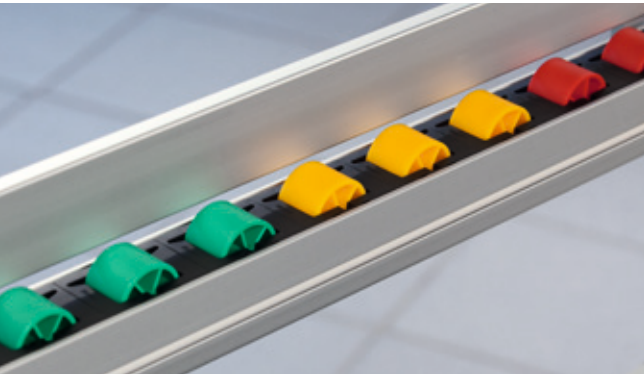


#### Castor Rail 8 40x40

Al, anodized

A [cm <sup>2</sup> ]	m [kg/m]	I <sub>x</sub> [cm <sup>4</sup> ]	I <sub>y</sub> [cm <sup>4</sup> ]	W <sub>x</sub> [cm <sup>3</sup> ]	W <sub>y</sub> [cm <sup>3</sup> ]
4.65	1.28	5.65	9.87	3.86	4.93
natural, cut-off max. 6000 mm					
natural, 1 pce., length 6000 mm					





**Roller Insert D30**

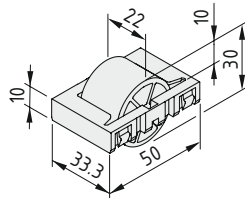


**Castor Insert D30 with Flanged Wheel**

Perfect for KanBan shelves!  
Coloured castors mark fill levels.

The following applies to all the products below:

Castor D30, PA  
Housing, PA-GF, black  
Axle, St, stainless



**Castor Insert D30**

m = 18.1 g	
black, similar to RAL 9005, 1 set	0.0.620.16
green, similar to RAL 6032, 1 set	0.0.627.08
yellow, similar to RAL 1003, 1 set	0.0.627.07
red, similar to RAL 3001, 1 set	0.0.627.06

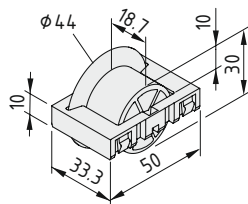
**Castor Insert D30 ESD**



m = 19.2 g	
black, similar to RAL 9005, 1 set	0.0.622.27

The following applies to all the products below:

Castor D30, PA with flanged wheel  
Housing, PA-GF, black  
Axles, St, stainless



**Castor Insert D30 with Flanged Wheel**

m = 19.6 g	
black, similar to RAL 9005, 1 set	0.0.620.06
green, similar to RAL 6032, 1 set	0.0.627.11
yellow, similar to RAL 1003, 1 set	0.0.627.10
red, similar to RAL 3001, 1 set	0.0.627.09

**Castor Insert D30 with Flanged Wheel ESD**

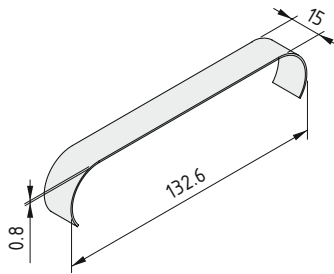


m = 21.0 g	
black, similar to RAL 9005, 1 set	0.0.622.28



## Castor Rail 8 40x40, Brake

Simply fit to the castors you want to put the brakes on.



### Castor Rail 8 40x40, Brake

St, stainless  
m = 2.0 g

1 pce.

0.0.619.34



New

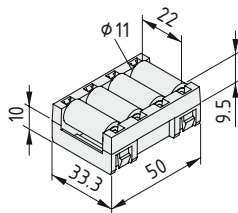


## Roller Insert 4xD11

The rollers can even cope well with crates that have awkward or irregular bases, since low rolling resistance keeps everything running smoothly and provides a high load-carrying capacity.

The following applies to all the products below:

4 rollers D11, PA  
Housing, PA-GF, black  
4 axles, St, stainless



### Roller Insert 4xD11

New

m = 31.0 g

black, similar to RAL 9005, 1 set

0.0.644.55

### Roller Insert 4xD11 ESD

New 

m = 30.0 g

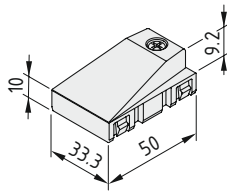
black, similar to RAL 9005, 1 set

0.0.648.98



### Slide Strip Wedge Insert

The Slide Strip Wedge moves your products to a new level. Castor Inserts, Slide Strips, Brush Inserts and Castor Ball Inserts take your production to new heights!



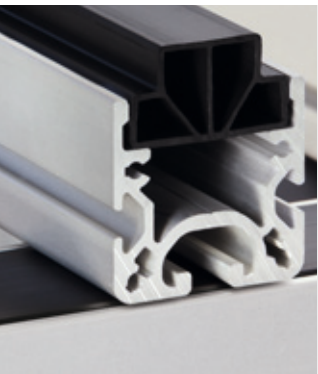
#### Slide Strip Wedge Insert ESD



Slide Strip Wedge, PA, ESD, black  
 Housing, PA-GF, black  
 Button-Head Screw Z3.5x15, St, bright zinc-plated  
 m = 20.0 g

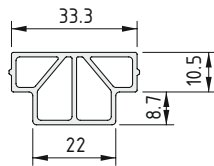
1 set

0.0.620.84



### Castor Rail 8 40x40, Slide Strip ESD

Slide Strip for use with Castor Rail 8 40x40. A two-level installation can be implemented. ESD plastic prevents your products from accumulating an electrostatic charge while on the move.



#### Castor Rail 8 40x40, Slide Strip ESD



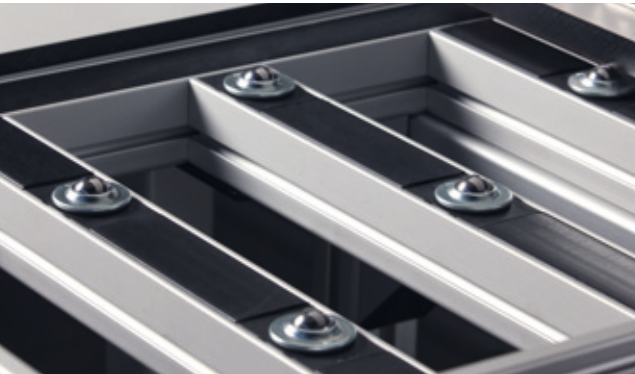
PE-HD  
 m = 140 g/m

black, cut-off max. 3000 mm

0.0.622.26

black, 1 pce., length 3000 mm

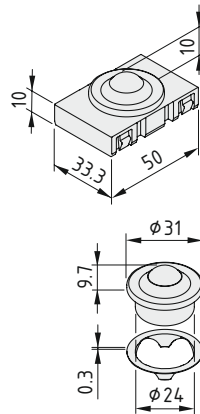
0.0.620.00



## Castor Ball Insert ESD Castor Ball Set

Making changes of direction very simple. The easiest way to move containers across a conveyor line.

Castor Ball Sets and Brush Sets are designed for the table tops that connect to conveyor lines and racks – for inward and outward transfer or for the careful warehousing of your goods. Castor Ball Insert ESD is fitted to Castor Rail 8.



### Castor Ball Insert ESD



Castor Ball D24, St  
Housing, PA-GF, black  
m = 50.0 g

1 set 0.0.620.26

### Castor Ball Set

Castor Ball D24, St  
Fastening clip, St  
m = 45.0 g

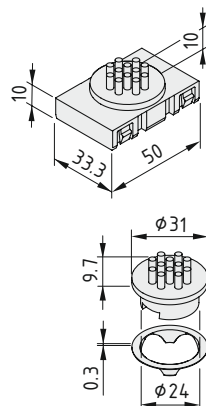
bright zinc-plated, 1 set 0.0.620.93



## Brush Insert ESD Brush Set ESD

Gentle transportation over elastic fibres. Bristle structure of contact surface reduces friction. Brush Set Insert ESD can be directly integrated into panel elements.

Prevent scratches  
Reduce noise levels



### Brush Insert ESD



Brush unit ESD, PA, black  
Housing, PA-GF, black  
m = 18.0 g

1 set 0.0.622.22

### Brush Set ESD



Brush unit ESD, PA, black  
Fastening clip, St  
m = 8.0 g

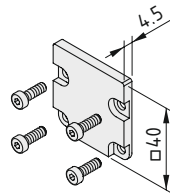
1 set 0.0.622.24





**Castor Rail 8 Cap 40x40**  
**Castor Rail 8 Cap 80x40**

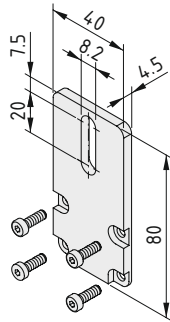
To terminate Castor Rail 8, simply fit an impact buffer (see Comprehensive Catalogue for MB Building Kit System) as required to Cap 80x40.



**Castor Rail 8 Cap 40x40**

St, stainless, black  
 4 Hex. Socket Head Cap Screws DIN7984-M4x16, St, bright zinc-plated  
 m = 60.0 g

1 set	0.0.622.29
-------	------------



**Castor Rail 8 Cap 80x40**

St, stainless, black  
 4 Hex. Socket Head Cap Screws DIN7984-M4x16, St, bright zinc-plated  
 m = 102.0 g

1 set	0.0.622.30
-------	------------



On hold.

New

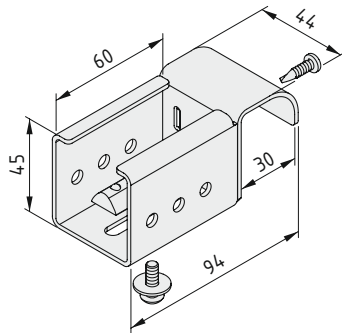
## Roller Conveyor AI, Fastening Bracket D30

Roller Conveyor AI Fastening Bracket D30 is the standard fastener for Roller Conveyor AI D30. Castor Rail 8 40x40 simply slots right into it. For additional security, the fastening bracket can be screwed to the Tube D30 and Roller Conveyor.

And Roller Conveyor AI, Fastening Bracket with Stop H43 forms the terminus at the end of the line. Together with the frame, the 43 mm-high stop ensures that containers and so on are brought safely to a stop. Depending on the weights and angles involved, an additional rebate strip may be required.

And Roller Conveyor AI, Fastening Bracket with Stop H43 forms the terminus at the end of the line. Together with the frame, the 43 mm-high stop ensures that containers and so on are brought safely to a stop. Depending on the weights and angles involved, an additional rebate strip may be required.





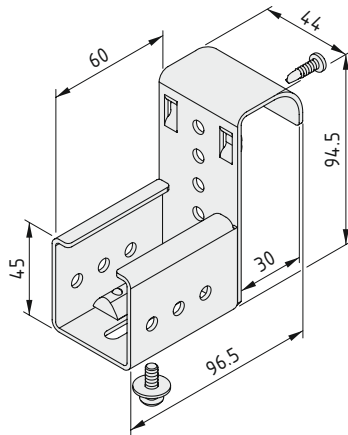
**Roller Conveyor Al, Fastening Bracket D30**

New

St  
 Button-Head Screw, self-tapping St 3.9x16 TX20  
 Button-Head Screw ISO 7380-M5x14  
 Washer DIN 9021-5.3  
 T-Slot Nut 8 St M5  
 m = 200.0 g

bright zinc-plated, 1 set

0.0.652.48



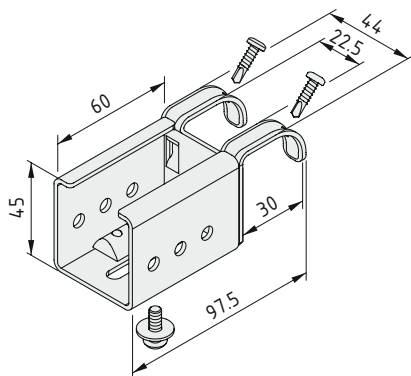
**Roller Conveyor Al, Fastening Bracket D30 with Stop H43**

New

St  
 Button-Head Screw, self-tapping St 3.9x16 TX20  
 Button-Head Screw ISO 7380-M5x14  
 Washer DIN 9021-5.3  
 T-Slot Nut 8 St M5  
 m = 224.0 g

bright zinc-plated, 1 set

0.0.652.57



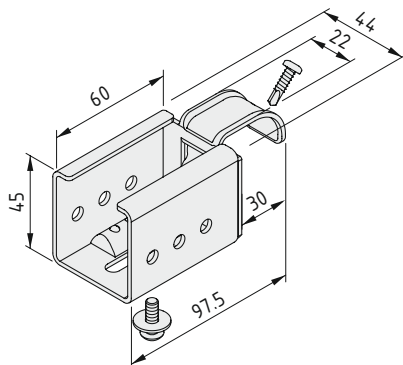
**Roller Conveyor Al, Fastening Bracket U D30**

New

St  
 2 Button-Head Screws, self-tapping St 3.9x16 TX20  
 Button-Head Screw ISO 7380-M5x14  
 Washer DIN 9021-5.3  
 T-Slot Nut 8 St M5  
 m = 179.0 g

bright zinc-plated, 1 set

0.0.652.58



**Roller Conveyor Al, Fastening Bracket I D30**

New

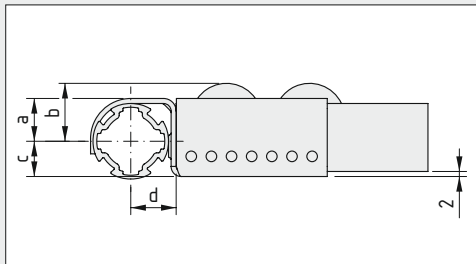
St  
 Button-Head Screw, self-tapping St 3.9x16 TX20  
 Button-Head Screw ISO 7380-M5x14  
 Washer DIN 9021-5.3  
 T-Slot Nut 8 St M5  
 m = 176.0 g

bright zinc-plated, 1 set

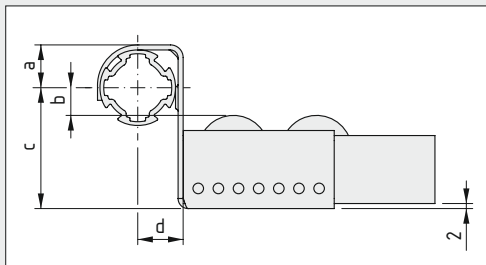
0.0.652.64

## Installation dimensions

Dimensions for Roller Conveyors St and AI when using Roller Conveyor D30 Fastening Brackets.



Roller Conveyor St		Roller Conveyor AI	
Fastening Bracket D30 0.0.642.47	a = 17 mm b = 23 mm c = 14 mm d = 18 mm	Fastening Bracket D30 0.0.652.48	a = 17 mm b = 23 mm c = 28.5 mm d = 20.5 mm
Fastening Bracket U D30 0.0.647.07	a = 18 mm b = 23 mm c = 13 mm	Fastening Bracket U D30 0.0.652.58	a = 18 mm b = 23 mm c = 28.5 mm
Fastening Bracket I D30 0.0.647.06	d = 20.5 mm	Fastening Bracket D30 0.0.652.64	d = 20.5 mm



Roller Conveyor St		Roller Conveyor AI	
Fastening Bracket D30 with Stop H27 0.0.642.46	a = 17 mm b = 11 mm c = 48 mm d = 18 mm		
Fastening Bracket D30 with Stop H43 0.0.652.46	a = 17 mm b = 26 mm c = 63 mm d = 20.5 mm	Fastening Bracket D30 with Stop H43 0.0.652.57	a = 17 mm b = 26 mm c = 77.5 mm d = 20.5 mm



## MB products as enhancements.

### Additional fastening elements from the MB Building Kit System that are ideally suited for use with Line D30:

**Profile 8 40x40 light and Profile 8 80x40 light:**

The standard profiles in the MB Building Kit System. Connected via Line 8 grooves.

**T-Slot Nuts 6:**

For insertion into the profile groove.

Create strong fastenings directly on Profile 6 D30.

**Automatic-Fastening Set 8:**

The machining-free profile fastening in a Line 8 groove.

**Castor D125 swivel with Connecting Plate:**

Time-saving installation thanks to combination of castor and connecting plate, ideal for trolleys, load-carrying capacity of up to 100 kg per castor.

**Flat Bracket and Angle Bracket 6 30:**

Universal fastenings for Profile 6 D30.

**Hinges 6 PA:**

Lightweight doors for D30 profile designs.

**Cover Profile 6**

Fast and secure: Fasten panels direct in the profile groove.

**Lip Seal 6:**

Dust-tight and easy to clean.

**Panel elements:**

Available from item in a huge range of cut-offs.

**Handle AI light:**

The aluminium grip with an elegant look.

**Conduit Profiles U 30:**

Fitted to Tube D30 in next to no time with Tube Clamp D30.

**Universal Holder:**

Fastening for cables and hoses, in combination with Tube Clamp D30.



## Alphabetical Register

A			
Adapter 8 D30	34	Roller Conveyor St D30	55
Adapter D30/D28	35	Roller Conveyor St D30 Brake	58
Angle Fastener D30	26	Roller Conveyor St D30 with Steel Castor Surfaces	55
Anti-Torsion Block 6 D30	15	Roller Conveyor St D30/2	57
Anti-Torsion Block 6 D30-45°	15	Roller Conveyor St Fastening Bracket Adapter Sleeve D30	65
B		Roller Conveyor St Fastening Bracket D30	59
Ball Joint Fastener 8 D30	28	Roller Conveyor St Guide Rail	63
Ball Joint Fastener D30	28	Roller Conveyor St, End Cap	62
Bracing Strut D30-90°	30	Roller Conveyor St, Fastening Bracket U/I D30	61
Brush Insert	72	Roller Conveyor St, Support D30	62
Butt Fasteners D30	24	Roller Inserts D30	69
Button-Head Screw, self-threading St 3.9x25, TX 20	51	S	
C		Slide Strip D30	66
Cap 6 D30	8	Slide Strip Wedge Insert ESD	71
Cap D30 F	19	T	
Cap D30 R	15	Table-Top Fastening Bracket D30	48
Cap, Profile Tube D30 heavy duty	9	Table-Top Fastening Set D30	47
Cap, Tube D30	7	Threaded Inserts D30	40
Cap, Tube KH D30	10	Threaded Insert, Profile Tube D30 heavy duty M12	42
Castor Ball Insert	72	Transverse Fastener D30	20
Castor Rail 8 40x40	68	Tube Adapter Cap D30	17
Castor Rail 8 40x40, Brake	70	Tube Adapter D30	16
Castor Rail 8 40x40, Slide Strip ESD	71	Tube Clamp D30	49
Castor Rail 8 Cap	73	Tube D30	5
E		Tube End Cap D30	12
End Connector 8 D30-90°	32	Tube Holder D30	37
F		Tube KH D30x11.6	10
Fastener D30	14	Tube Protector D30x13	11
Fastener D30-45°	22		
Fastening Set 8 D30	33		
H			
Hook and Holder Adapter D30	50		
M			
Multiblock D30	43		
P			
Panel Fastener D30	45		
Panel-Fixing Profile D30 3-5mm	46		
Parallel Fastener D30	18		
Profile Tube D30 heavy duty	9		
Profile Tubes D30	5		
Profiles 6 D30	5		
R			
Roller Conveyor AI D30	67		
Roller Conveyor AI, Fastening Bracket D30	74		

Up-to-date information is available online



If you require information material, please get in touch with your distribution and service contact. Or you can visit us at our website: [www.item24.com](http://www.item24.com)

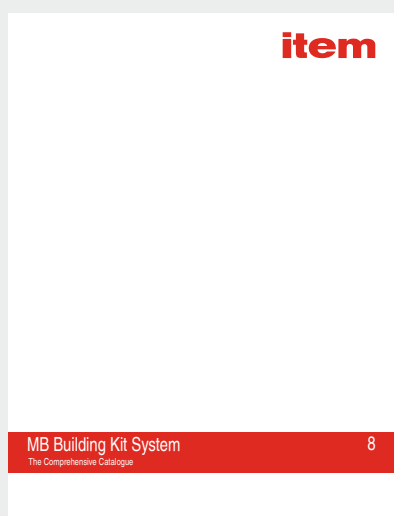


## Other item product catalogues

Comprehensive Catalogue  
MB Building Kit System

Work bench systems  
catalogue

Line XMS



**Concept, design and realization**  
item Industrietechnik GmbH,  
Technical Documentation Department

**Photographs**  
item Industrietechnik GmbH

Technical modifications and errors reserved.  
All rights reserved. Use of texts and illustrations or reprints of  
any kind only permitted with our prior written consent. This  
applies in particular to reproduction, translation or use in  
electronic systems.

**item** is a registered trademark of item Industrietechnik  
GmbH.

© item Industrietechnik GmbH 2012

### Patents

Any copying of protected products is a violation of these rights and, as such,  
shall be liable to compensation. Data and illustrations in this catalogue do not  
discharge the user from the obligation to carry out his own checks to determine  
whether the industrial property rights of third parties are infringed.

### Product liability

item shall be liable, within the framework of the applicable legal provisions,  
for the promised characteristics of the products shown in this catalogue. Any  
claims for liability above and beyond such – in particular relating to prod-  
ucts created by third parties using products included in this catalogue – are  
expressly excluded.

### Conditions of use

The products in the item MB Building Kit System are suitable for use in dry  
conditions and over the temperature range -20°C to +70°C, unless otherwise  
stated. item must be consulted where products are to be used for applications  
outside these limits.

### Conformity with Directive 2002/95/EC ("RoHS")

item has made a voluntary undertaking to refrain from using hazardous sub-  
stances as defined in Directive 2002/95/EC in the products it sells, irrespective  
of their subsequent purpose which, in the majority of cases, does not fall under  
this Directive.



04.120.39 10/2012 © item Industrietechnik GmbH Made in Germany

Your distribution and service partner

**item**

item Industrietechnik GmbH  
Friedenstrasse 107-109  
42699 Solingen  
Germany

Phone +49 212 6580 0  
Fax +49 212 6580 310

info@item24.com  
www.item24.com

Your ideas are worth it.