

# AluFlexGroup

YOUR PARTNER IN AUTOMATION SOLUTIONS

AluFlex AB | item profili öy | LinearModul A/S | AluFlex System AS

## FLEXFIT



[www.aluflex.com](http://www.aluflex.com)

## FlexFit 1529 - 1537

The Flexfit is a compact linear slider that fits very well for more simple and lighter movements. The slider is made of stainless steel and the rail is available in both blue steel and stainless steel for more demanding conditions. The Flexifit can be used both in axial and radial directions. It is a perfect linear slider for applications that demand easy mounting and/or small forces with lower precision.



### Product Description

The FlexFit is a combination of a profile and a carrier that enables multiple linear motion options.

The linear guide is uniquely designed for an easy and fast installation.

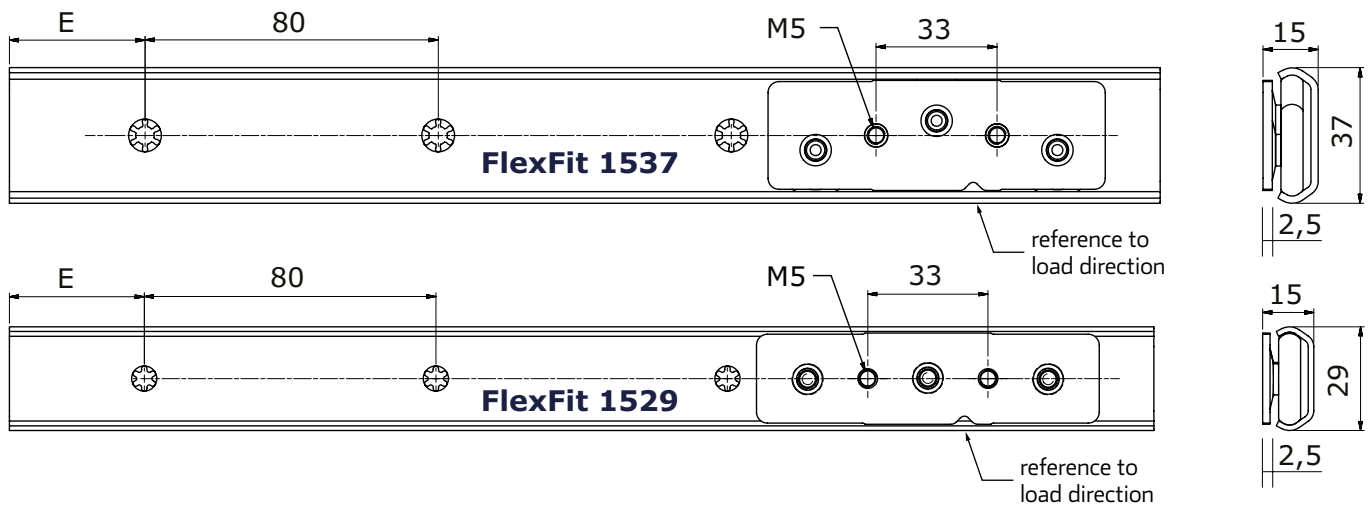
These are ready to use products which are made of high quality components to guarantee a long service life.

### Why choose the Flexfit? Features & Benefits

- Ready to use product (no adjustment of carrier required at start)
- No play in guidance during lifetime (no adjustment of carrier required during lifetime)
- Unique design enabling easy and fast installation
- Smooth movement
- Available as a 3-wheel carrier
- Available in stainless steel for more demanding conditions
- Horizontal & vertical movement
- Competitive price/quality ratio
- Allows for certain degree of non-parallelism: easy pairwise application

### Typical applications

- Machine builders
- Vending machines
- Sliding doors
- Sliding windows
- Sliding applications



Code for complete rail and carriage

FF 1529 C3 SS 2+SS 1200 -20 / 20 ES

- Series: FF (FlexFit)
- Size: 1529, 1537
- Carriage type: C3: 3 rollers
- Carrier material: SS (stainless steel)
- Number of carriages per rail: 1, 2, 3 ...
- Rail material: SS (stainless steel), BS (blue steel)
- Rail length: mm
- Rail hole pitch from start side: E1
- Rail hole pitch from start side: E2
- End stop option on rail: No symbol (No endstop), ES (endstop included)

	FlexFit 1529	FlexFit 1537
<b>Width</b>	29 mm	37 mm
<b>Thickness</b>	15 mm	15 mm
<b>Length Carrier</b>	92 mm	92 mm
<b>Length Profile</b>	Stainless steel 4000 mm, E = 40 mm Blue steel 2394 mm, E = 37 mm	Stainless steel 4000 mm, E = 40 mm Blue steel 2394 mm, E = 37 mm
<b>Travel</b>	Minimum 80 mm	Minimum 80 mm
<b>Load capacity per carrier (3-wheel carrier)</b>	Radial 500N, Axial 200N	Radial 800N, Axial 350N
<b>Service life</b>	50.000 cycles (100km) at max. load capacity	50.000 cycles (100km) at max. load capacity
<b>Weight 3- wheel carrier</b>	0.09 kg	0.11 kg
<b>Weight profile</b>	0.5 kg/m	0.76 kg/m
<b>Material Carrier</b>	Stainless steel (AISI 304)	Stainless steel (AISI 304)
<b>Material Profile</b>	Stainless steel, Blue steel (up to 96 hours before zinc corrosion)	Stainless steel, Blue steel (up to 96 hours before zinc corrosion)
<b>Fixation Carrier</b>	2*M5 threaded hole at pitch 33 mm	2*M5 threaded hole at pitch 33 mm
<b>Fixation Profile</b>	M5 countersunk at pitch 80 mm fixing recommendation DIN 7991	M5 countersunk at pitch 80 mm fixing recommendation DIN 7991

# Your Partner in Automation Solutions



Item Aluminium profiles



D30 Tube System



Work Bench System



Belt Conveyor System



Palette Conveyor System



Lean Production System



Item News Every Year



Ball Bushings



Rack and Pinion System



Compact Rail



Linear Guides



Ball Screws



Easy Rail



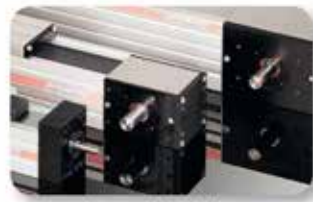
Heavy Telescopic Rail



Light Telescopic Rail



Servo Motors



Linear Modules



Complete Solutions

## AluFlexGroup

YOUR PARTNER IN AUTOMATION SOLUTIONS

AluFlex AB | item profiili oy | LinearModul A/S | AluFlex System AS

**AluFlex AB**  
Lilla Garnisonsgatan 34  
254 67 Helsingborg  
Tel +46 42 38 02 30  
Fax +46 42 38 02 31  
orders@aluflex.se  
www.aluflex.se

**LinearModul A/S**  
Sivlandvænget 13 B  
5260 Odense S  
Tel +45 65 91 72 10  
Fax +45 65 91 72 20  
orders@linearmodul.dk  
www.linearmodul.dk

**AluFlex System AS**  
Energivegen 14  
Postboks 428  
2051 Jessheim  
Tlf +47 63 94 49 20  
Faks +47 63 94 49 21  
orders@aluflex.no  
www.aluflex.no

**item profiili oy**  
Sienitie 27  
00760 Helsinki  
Puh +358 9 854 56 50  
Fax +358 9 854 56 544  
orders@itemprofiili.fi  
www.itemprofiili.fi

www.aluflex.com