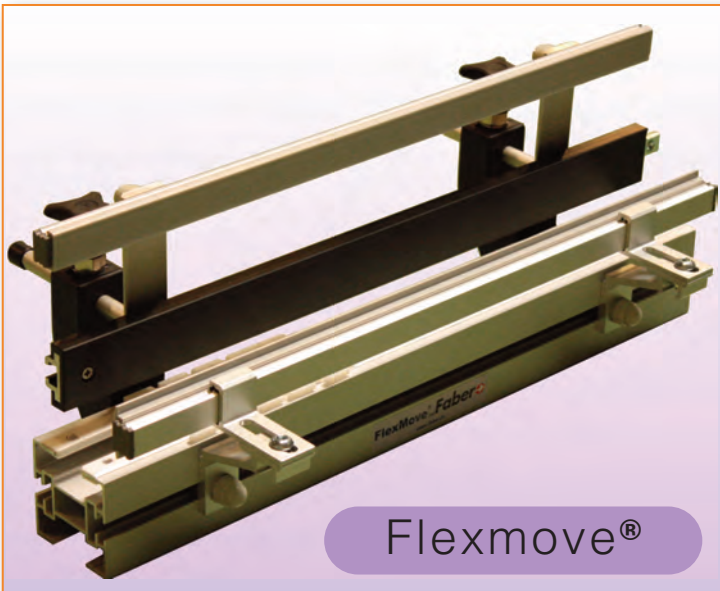
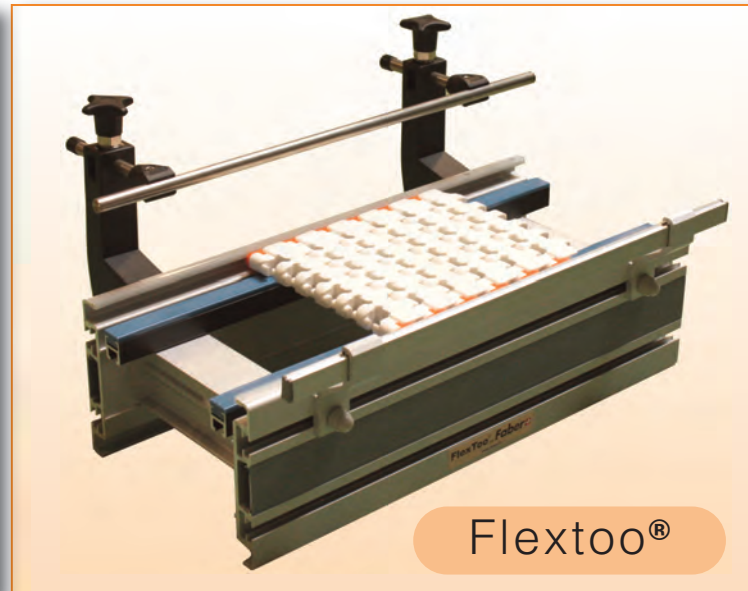


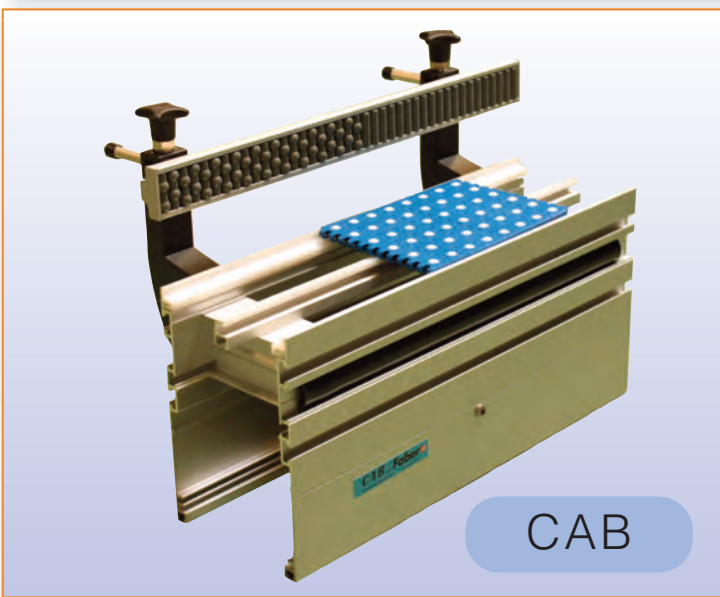
# Modular conveyors



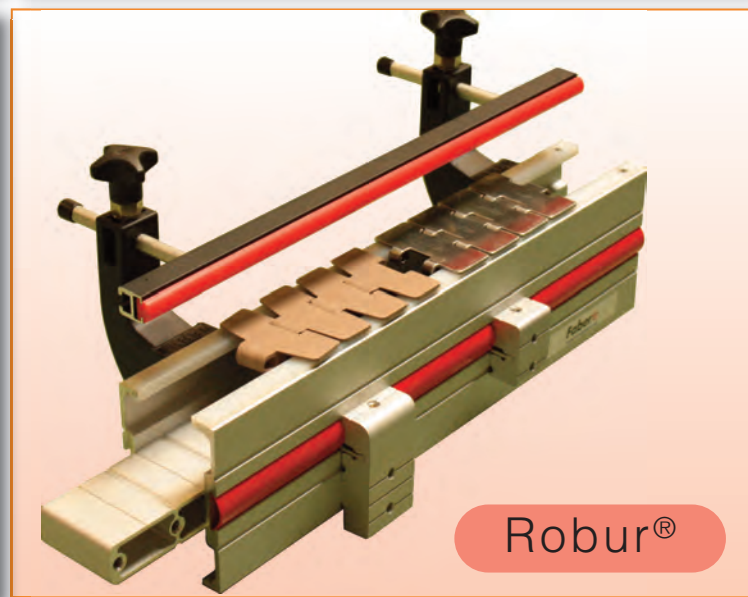
Flexmove®



Flextoo®



CAB

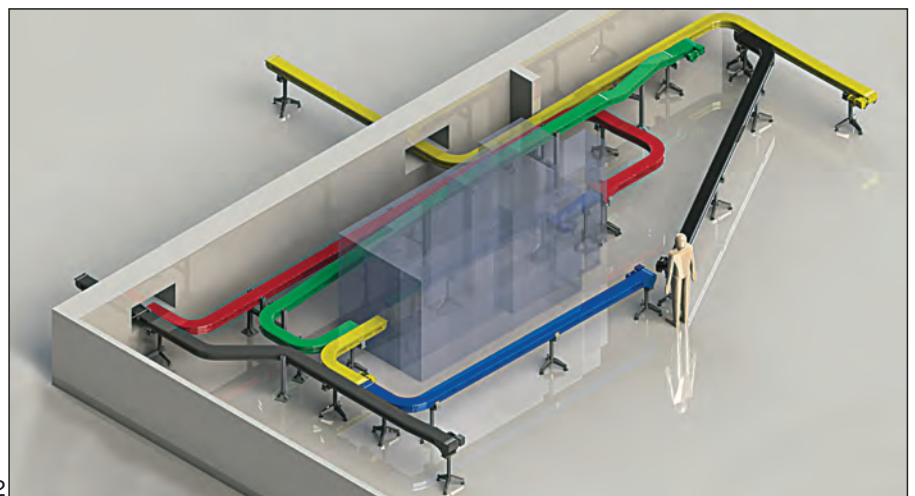


Robur®

# Shared design work



- 1/2 *Design of lines in 3D.*
- 3 *Performance check (speed, noise level, etc.).*
- 4 *Curve production by digital bending.*
- 5/6 *Integral finishing and assembly shops.*
- 7 *40 tonnes of aluminium profile, thousands of components in stock.*
- 8 *Direct floor delivery of assembled conveyors.*





**M**ore than 30 years experience in modular conveyors. Faber takes over your transport projects as soon as you express the need.

- | On the basis of our standard ranges, we propose kinematics adapted to your needs.
- | A network of sales engineers in your area ready to discuss with you.
- | Technical recommendations.
- | 2D/3D libraries available to your design office.
- | Large stock
- | Reactivity and short delivery lead times
- | Constant pursuit of innovations (performance, functions, ergonomics, development of new ranges).
- | Delivery as a kit or fully assembled conveyors.



4



5



6



7

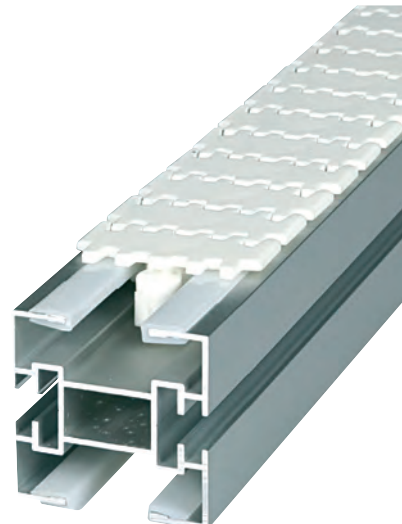


8

# Slat chain conveyors

## FlexMove®

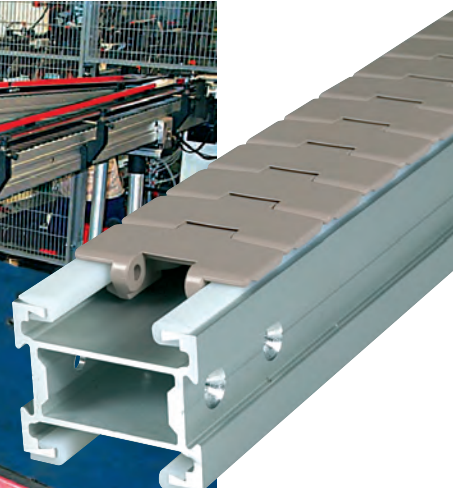
- Standard
- Economical
- Easily expandable
- Silent
- For transporting unitary products
- Widths 45 to 300 mm (aluminium structure) and 65 to 105 mm (Flexinox® stainless steel structure)



## Robur®

30 YEARS  
EXPERIENCE

- Tough
- Open or monobloc structure
- Difficult conditions (dust, chips, etc.)
- Unitary or overpacked products
- Widths 70 to 196 mm





# Modular belt conveyors

## FlexToo®



- Tough
- Silent
- Easy to maintain
- Personnel safety
- Possibility of complex geometry
- Heavy loads
- Transport of overpacked products, boxes, etc.
- Widths 230 to 650 mm



## CAB

NEW  
2017-1

- Straight conveyor
- with a smooth belt or a ball or roller belt
- Widths from 165 mm

Flexmove

Flexinox

Flextoo

Robur

CAB

Guides

Legs

### Flexmove® modular conveyors

page 8

- «Flex» chains
- Flexmove® beams and modules
- F45 conveyors
- CM conveyor, width 85
- FB conveyors, width 180 & 300

pages 11 to 23  
 pages 24 to 33  
 pages 35 & 36  
 pages 37 & 38  
 pages 39 & 40

### Flexinox® modular conveyors

page 41

### Flextoo® modular conveyors

page 50

### Robur® modular conveyors

page 62

### CAB & CAB-SB modular conveyors

page 77

	FlexMove						Robur						FlexToo					CAB
	F45	FK	FS	FM	FC	FL	R1	R2TB	R2	R3TB	R3	R4	F2-750	F2-1200	F2-1500	F2-1800	F2-2400	
Conveyor width	45 mm	45 mm	65 mm	85 mm	105 mm	155 mm	70 mm	86 mm	86 mm	118 mm	118 mm	196 mm	227 mm	342 mm	418 mm	494 mm	647 mm	160 mm and >
Chain or belt width	43 mm	44 mm	63 mm	83 mm	103 mm	150 mm	63.5 mm	82.5 mm	82.5 mm	114.3 mm	114.3 mm	190.5 mm	190.5 mm	304.8 mm	381 mm	457.2 mm	609.6 mm	152.4 mm and >
Chain / Mat	POM chain						POM	POM or metal chain (stainless steel or steel)					POM belt + Kevlar reinforced wear heels					Mat POM or PP
Chain / belt elastic Limit	200 N	500 N	1250 N				2250 N						2000 N	3400 N	3500 N	3600 N	3800 N	according to width
Maximum weight of a product	1 kg	3 kg	3 kg	6 kg	6 kg	6 kg	10 kg	15 kg	15 kg	15 kg	15 kg	15 kg	10 kg	15 kg	15 kg	15 kg	15 kg	according to width
Maximum speed	20 m/min	60 m/min	60 m/min	60 m/min	60 m/min	60 m/min	30 m/min	30 m/min	35 m/min	30 m/min	35 m/min	35 m/min	80 m/min	80 m/min	80 m/min	80 m/min	80 m/min	80 m/min
Kinematic complexity	10 m	25 m	25 m	25 m	25 m	25 m	15 m	15 m	15 m	15 m	15 m	15 m	30 m	30 m	30 m	30 m	30 m	35 m
Price	€	€€	€	€	€	€€€	€	€	€€	€	€€	€€	€	€	€	€€	€€	variable
Conditions	Clean, dry						Clean, dry	Oils - Temperature - Abrasive conditions (sugar, ceramic, dust, chips, etc.)					Cardboard dust					Clean, dry
Industry	Agri-food (packaged products), Pharmacy, Cosmetics						Automotive, Mechanical, Heavy industries						Agri-food (packaged and overpacked products), Pharmacy, Cosmetics					



## Lateral guiding

	page	85
- Lateral guide profiles with metal frames	pages	86 & 87
- Lateral guides and intermediate roller and ball guides	pages	88 & 89
- Lateral guide profiles in aluminium	pages	90 & 91
- Guide holders	pages	92 & 93
- Height-adjustable mountings:		
- x-GRF moulded mountings and spacer shims	page	94
- Assembly sheaves, angle connectors	page	95
- Width-adjustable mountings:		
x-GRB & FGRF moulded mountings	pages	96 & 97
- Channel brackets and pins	page	98
- GH5 mountings	page	99
- Accessories pour Robur et Cobral, fastenings	page	100
- Rotobloc-GL system	page	101
- Hardware and various accessories	pages	102 & 103
- Fixed and adjustable aluminium angle brackets	pages	104 & 105
- Width of passage with GH5 brackets	page	106
- Frontal guiding for Flexmove	page	107

## Legs for modular conveyors

	page	109
- Structural tubes	pages	112 & 113
- Steel angle brackets for structural tubes	page	114
- Aluminium angle brackets for structural tubes	page	115
- Bases for square tube legs	page	116
- Fastenings on Robur® and Cobral® beams	page	117
- Round tubes	page	118
- Bases for round tubes	page	119
- Square section legs	pages	120 & 121
- Ø 60.3 tube legs	pages	122 & 123
- Flexinox legs	page	124
- Cable raceways	page	125
- Chutes for Flexmove® conveyors	pages	126 & 127
- Aluminium angle brackets for lateral fastening	page	128
- Adjustment modules for wedge conveyors	page	129
- Starter boxes	page	130

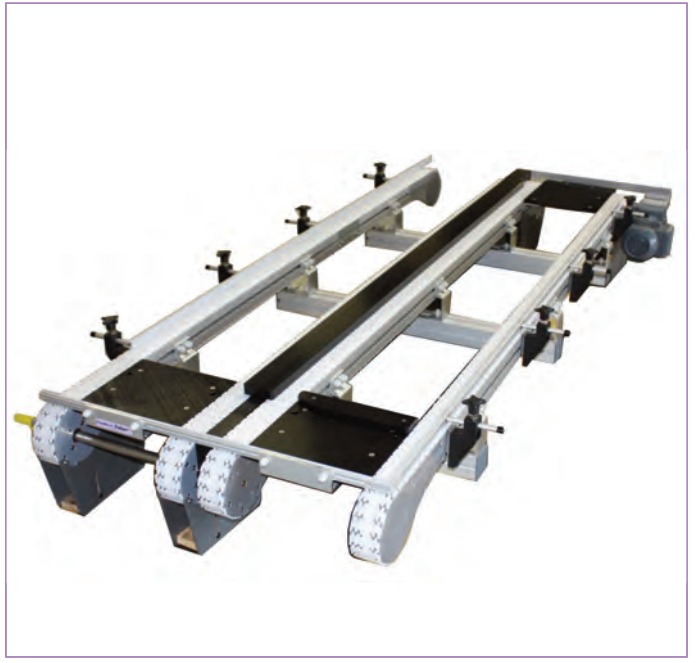
## Reference index

	page	131
--	------	-----

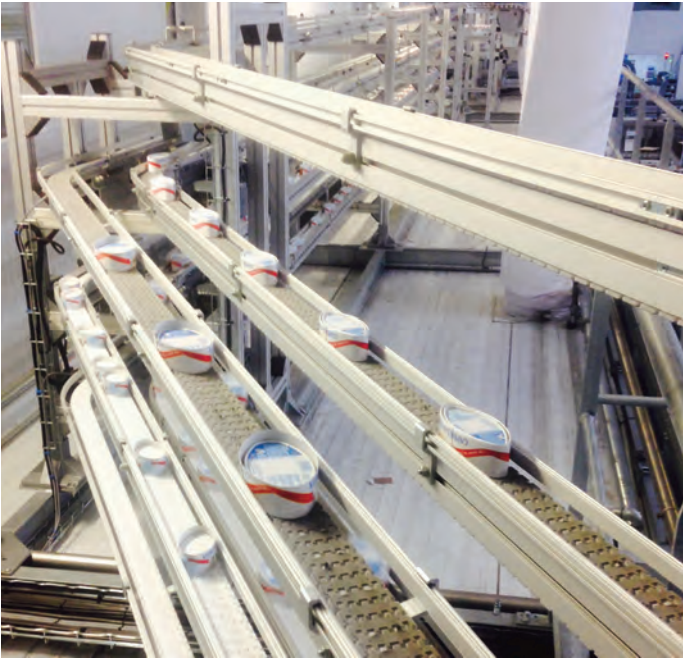
Flexmove



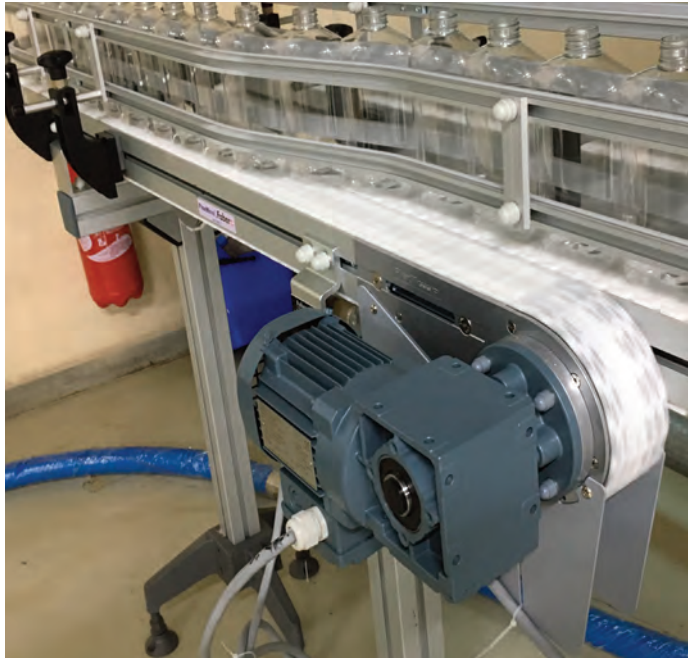
Flexinox



Flextoo



Robur



CAB



Guides



Legs



# Aluminium modular conveyors

Flexmove®



Flexmove

Flexinox

Flextoo

Robur

CAB

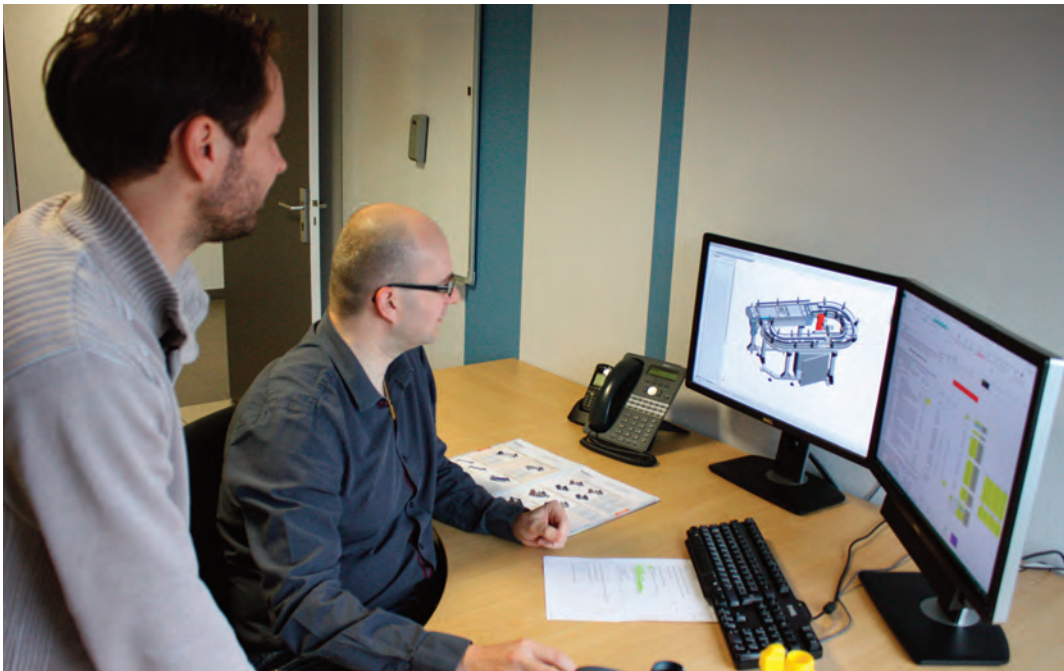
Guides

Legs

## Standard and economical, for isolated loads

FlexMove® conveyors adjust to all types of installation.

3D design

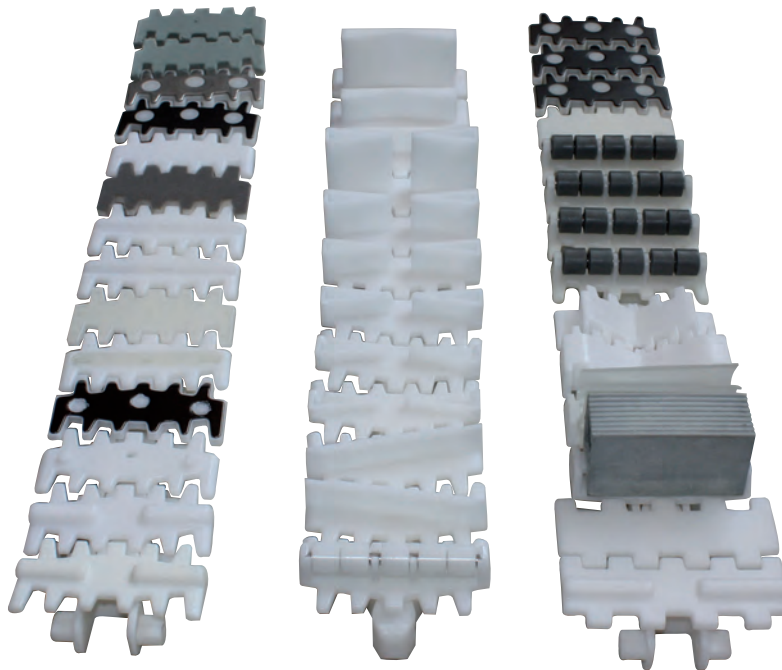


Ready-to-assemble modules or conveyors assembled and tested in our workshops.

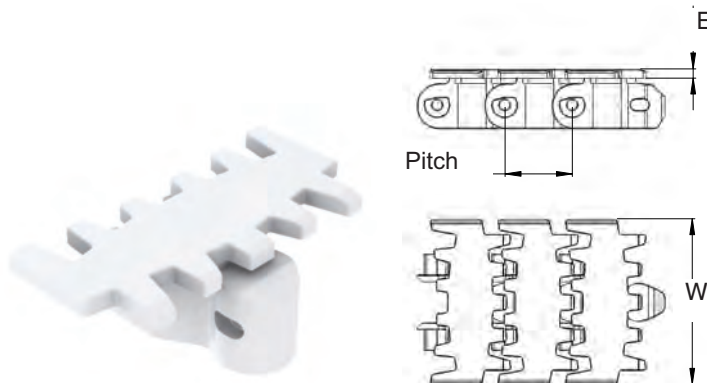




Aluminium structures	F45	FK	FS	FM	FC	FL
Stainless steel structures			SS	SM	SC	
Conveyor widths	45	45	65	85	105	155
Chain pitches (+/- 1%)	12,7	25,4	25,4	33,5	35,5	35,5

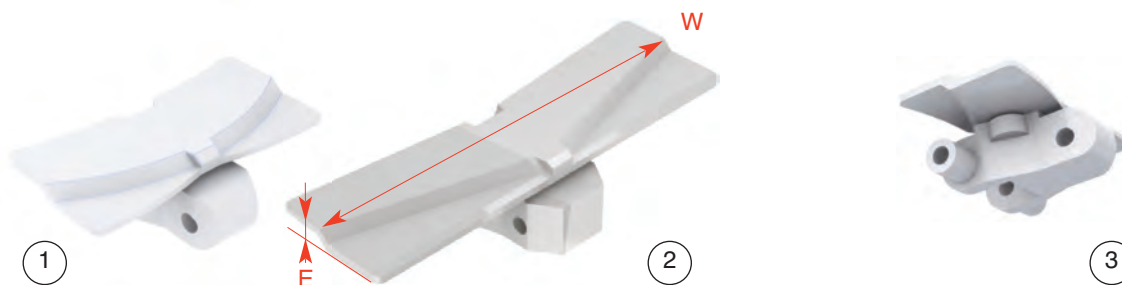


- More than a hundred chain variants for your specific needs.
- Structures and chains compatible and linkable with thousands of conveyors in service.
- The most common modules and chains are available from stock.
- Quick and simple installation, transformation or modification.
- Small radii of curvature.
- Low noise.
- Oil collection channels, motorized transfers, cable raceways, control boxes, variable speed.



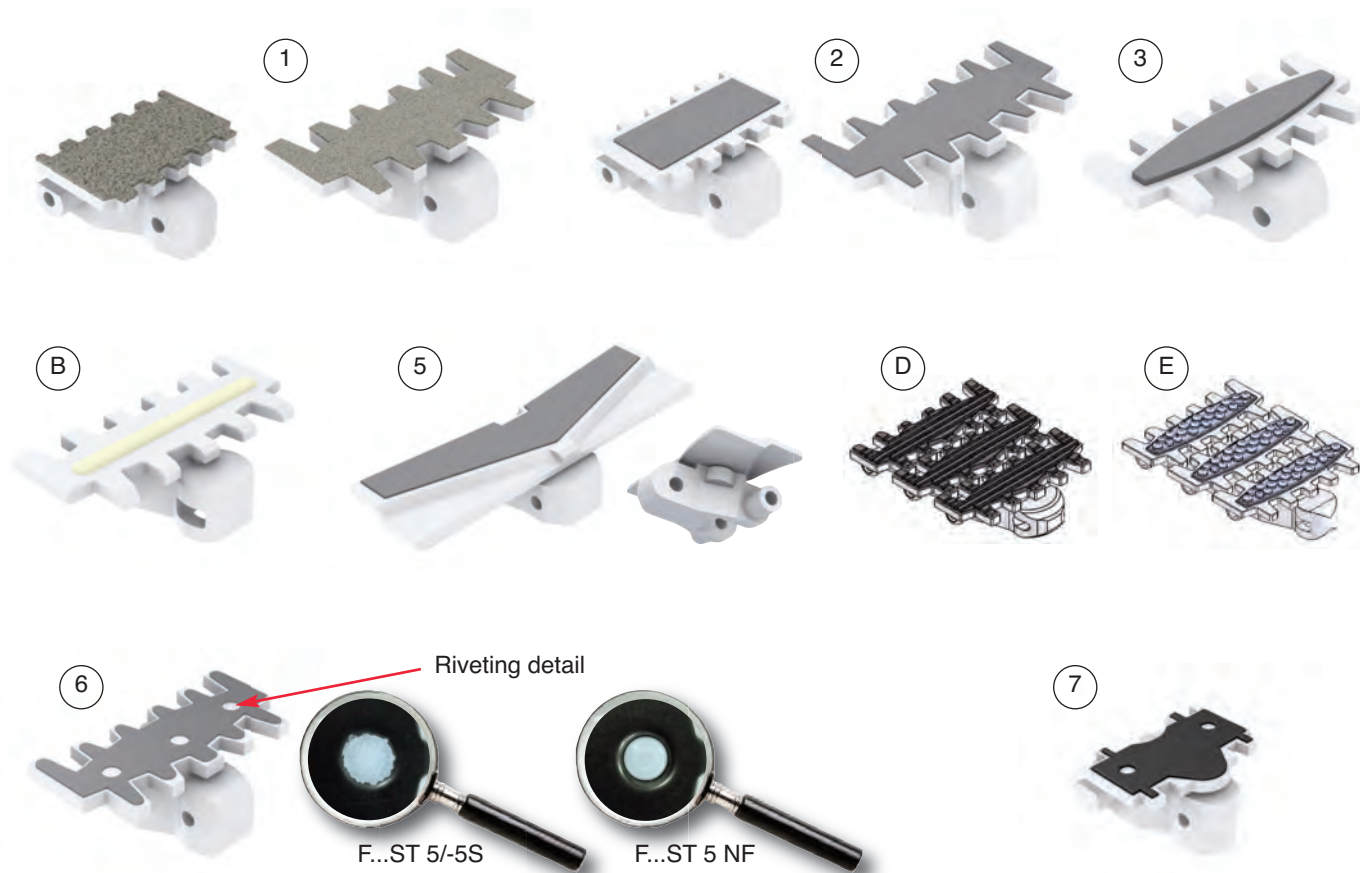
Flat chains	Series	FK	FS - SS	FM - SM	FC - SC
	Pitch	25,4	25,4	33,5	35,5
	E	3,1	3,5	4	4,4
	W	44	63	83	103
Material	Colour				
Natural acetal	White	<b>FKPC 5</b>	<b>FSPC 5</b>	<b>FMPC 5</b>	<b>FCPC 5</b>
idem, with plastic pin (*)		<b>FKPC 5P</b>	<b>FSPC 5P</b>	<b>FMPC 5P</b>	<b>FCPC 5P</b>
Antistatic black acetal	Black	<b>FKPC 5CD</b>	<b>FSPC 5CD</b>	<b>FMPC 5CD</b>	<b>FCPC 5CD</b>
Kevlar reinforced acetal	Yellow	<b>FKPC 5WR</b>	<b>FSPC 5WR</b>	<b>FMPC 5WR</b>	<b>FCPC 5WR</b>
High temperature (100°C)			<b>FSPC 5HT</b>	<b>FMPC 5HT</b>	<b>FCPC 5HT</b>
PBT			<b>FSPC 5PBT</b>		
Fibre glass reinforced acetal	White		<b>FSPC 5GF</b>	<b>FMPC 5GF</b>	<b>FCPC 5GF</b>
acetal, lubricated			<b>FSPC 5LF</b>	<b>FMPC 5LF</b>	<b>FCPC 5LF</b>
Anti-UV acetal		<b>FKPC 5UV</b>	<b>FSPC 5UV</b>	<b>FMPC 5UV</b>	<b>FCPC 5UV</b>
PVDF		<b>FKPC 5PV</b>	<b>FSPC 5PV</b>		

(\*) Chains with plastic pins: reduced elastic limit



Safety chains	Series		FM - SM	FC - SC	FL
Natural acetal chains	Pitch		33,5	35,5	35,5
	E		5,5	6	7,3
	W		83	103	150
Standard version	Fig. 1		<b>FMPC 5V</b>	<b>FCPC 5V</b>	
High temperature (100°C)			<b>EMPC 5HT</b>	<b>FCPC 5VHT</b>	
	Fig. 2				<b>FLPC 5V</b>
Antistatic black acetal					<b>FLCD 5V</b>
Version with lateral roller	Fig. 3		<b>EMPC 5R</b>	<b>FCPC 5VR</b>	



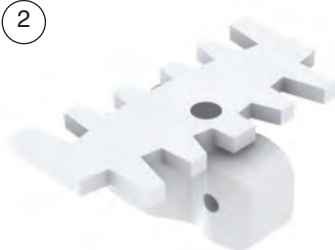


	Series	FK	FS - SS	FM - SM	FC - SC	FL
Coated natural acetal chains	Pitch	25,4	25,4	33,5	35,5	35,5
	W	44	63	83	103	150
Coating / accumulation impossible	Figure					
Velvet grey flocking / fragile products	1	<b>FKFC 5</b>	<b>FSFC 5</b>	<b>FMFC 5</b>	<b>FCFC 5</b>	<b>FLFC 5V</b>
Flocking, colour to order		x	x	x	x	x
Flat grey anti-slip insert on all links	2	<b>FKFT 5</b>	<b>FSFT 5</b>	<b>FMFT 5A</b>	<b>FCFT 5A</b>	
Idem, (L= pitch of coated links)		<b>FKFT 5-L</b>	<b>FSFT 5-L</b>	<b>FMFT 5A-L</b>	<b>FCFT 5A-L</b>	
Translucent flat anti-slip insert / all links	3		<b>FSFT 5C</b>			
Idem, (L= pitch of coated links)			<b>FSFT 5C-L</b>			
Convex anti-slip insert on all links		<b>FKFT 5C</b>	<b>FSFT 5A</b>	<b>FMFT 5</b>	<b>FCFT 5</b>	
Idem, (L= pitch of coated links)		<b>FKFT 5C-L</b>	<b>FSFT 5A-L</b>	<b>FMFT 5-L</b>	<b>FCFT 5-L</b>	
Anti-slip insert on all links	B		<b>FSFT 5B</b>	<b>FMFT 5B</b>	<b>FCFT 5B</b>	
Idem, (L= pitch of coated links)			<b>FSFT 5B-L</b>	<b>FMFT 5B-L</b>	<b>FCFT 5B-L</b>	
LF acetal variant					<b>FCFT 5B LF</b>	
Flat anti-slip insert on all links	5			<b>FMFT 5V</b>	<b>FCFT 5V</b>	<b>FLFT 5V</b>
Idem with lateral roller				<b>EMFT 5R</b>		
Idem, (L= pitch of coated links)				<b>EMFT 5R-L</b>		
Grooved anti-slip insert on all links	D		<b>FSFT 5D</b>	<b>FMFT 5D</b>	<b>FCFT 5D</b>	
Idem, (L= pitch of coated links)				<b>FSFT 5D-L</b>	<b>FMFT 5D-L</b>	<b>FCFT 5D-L</b>
Short studded anti-slip insert / all links	E		<b>FSFT 5E</b>	<b>FMFT 5E</b>	<b>FCFT 5E</b>	
Idem, (L= pitch of coated links)				<b>FSFT 5E-L</b>	<b>FMFT 5E-L</b>	<b>FCFT 5E-L</b>
Coating / accumulation possible						
50 HRC steel (for mechanical parts)	6		<b>FSST 5FA</b>	<b>FMST 5FA</b>	<b>FCST 5</b>	
Stainless Steel	7	<b>FKST 5S</b>				
	6		<b>FSST 5S</b>	<b>FMST 5S</b>	<b>FCST 5S</b>	
				<b>FMST 5S NF</b>	<b>FCST 5S NF</b>	

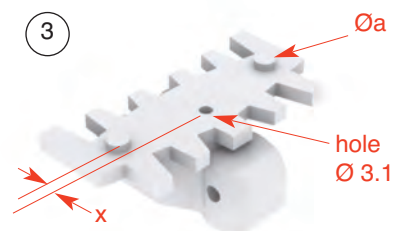
①



②



③



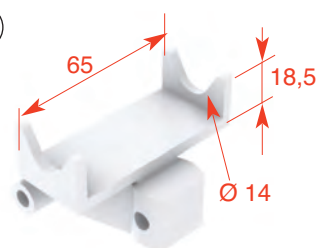
④



⑤



⑥



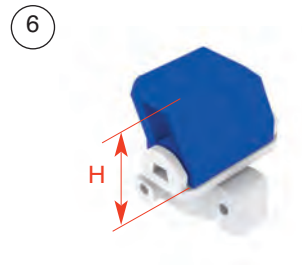
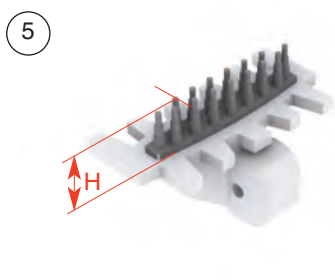
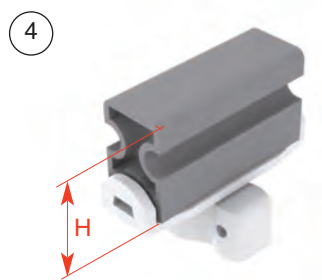
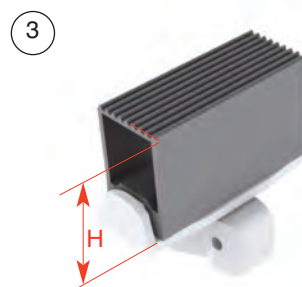
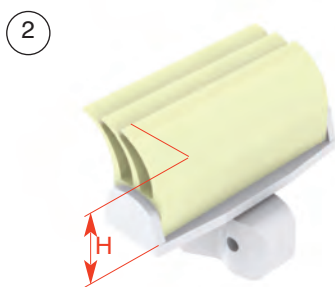
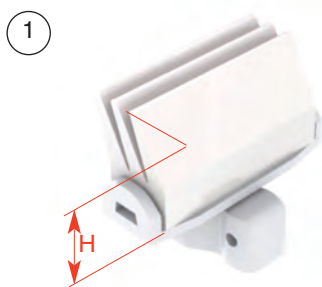
	Series	FS - SS		FM - SM	FC - SC
	Pitch	25,4		33,5	35,5
	W	56	63	83	103
	Figure				
Acetal chain, anti-stick surface	1		<b>FSNS 5</b>		
With magnetic insert	2		<b>FSMT 5</b>	<b>FMMT 5</b>	<b>FCMT 5</b>
EA "universal" acetal chain = centre distance	3		<b>FSUC 5</b> Øa =5 EA=45 x=3,3	<b>FMUC 5</b> Øa =6 EA= 50 x=3	
Idem, (L= pitch of "universal" links)			<b>FSUC 5-L</b>	<b>FMUC 5-L</b>	
Flat chain, radius ≥ 700 mm, acetal	4 (*)	<b>FSPC 5 R700 56</b>	<b>FSPC 5 R700</b>		
Flat chain, radius ≥ 700 mm, PBT		<b>FSPC 5 R700 56 PBT</b>	<b>FSPC 5 R700 PBT</b>		
Flat chain, radius ≥ 500 mm, acetal	5 (*)			<b>FMPC 5 R500</b>	
Flat chain, radius ≥ 700 mm, acetal				<b>FMPC 5 R700</b>	
Cradle chain Ø14, acetal <i>incompatible with horizontal curves</i>	6			<b>FMB14 5</b>	

(\*) Chains incompatible with intermediate drives



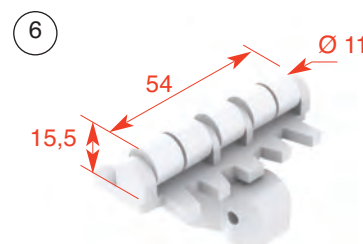
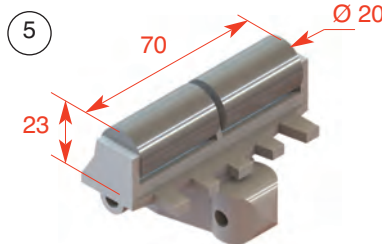
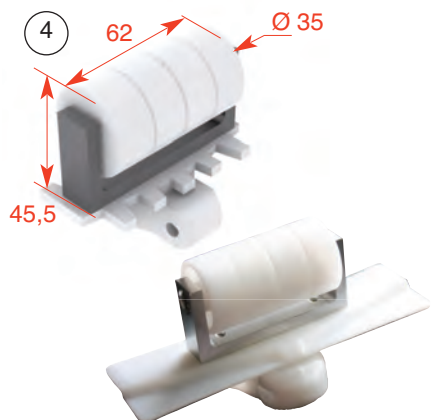
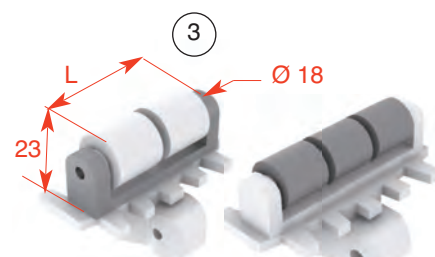
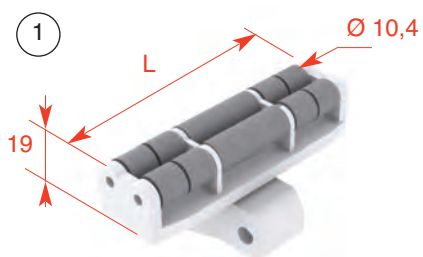
## Wedge chains

References for each chain link fitted with an insert, dimension H taken above the slat.



	Series	FK		FS - SS		FM - SM	
Acetal chains	Pitch	25,4				33,5	
	W	44 - 45		63		83	
	Figure		H		H		H
Slat insert	1			<b>FSWT 5BA</b>	30	<b>FMWT 5B</b>	31,3
Flexible slat insert	2			<b>FSWT 5B</b>	28		
		<b>FKWT 5D</b>	25	<b>FSWT 5D</b>	25	<b>FMWT 5DC</b>	25
Tubular insert	3	<b>FKWT 5C</b>	30	<b>FSWT 5C</b>	30	<b>FMWT 5C</b>	30
Tubular insert with 1 ply	4	<b>FKWT 5DA</b>	30	<b>FSWT 5DA</b>	30	<b>FMWT 5DA</b>	30
"Brush" insert <i>for light loads (&lt;1kg)</i>	5	<b>FKWT 5A</b>	12,5	<b>FSWT 5A</b>	13	<b>FMWT 5A</b>	10,8
Inclined tubular insert	6	<b>FKWT 5DB</b>	25	<b>FSWT 5DB</b>	25		

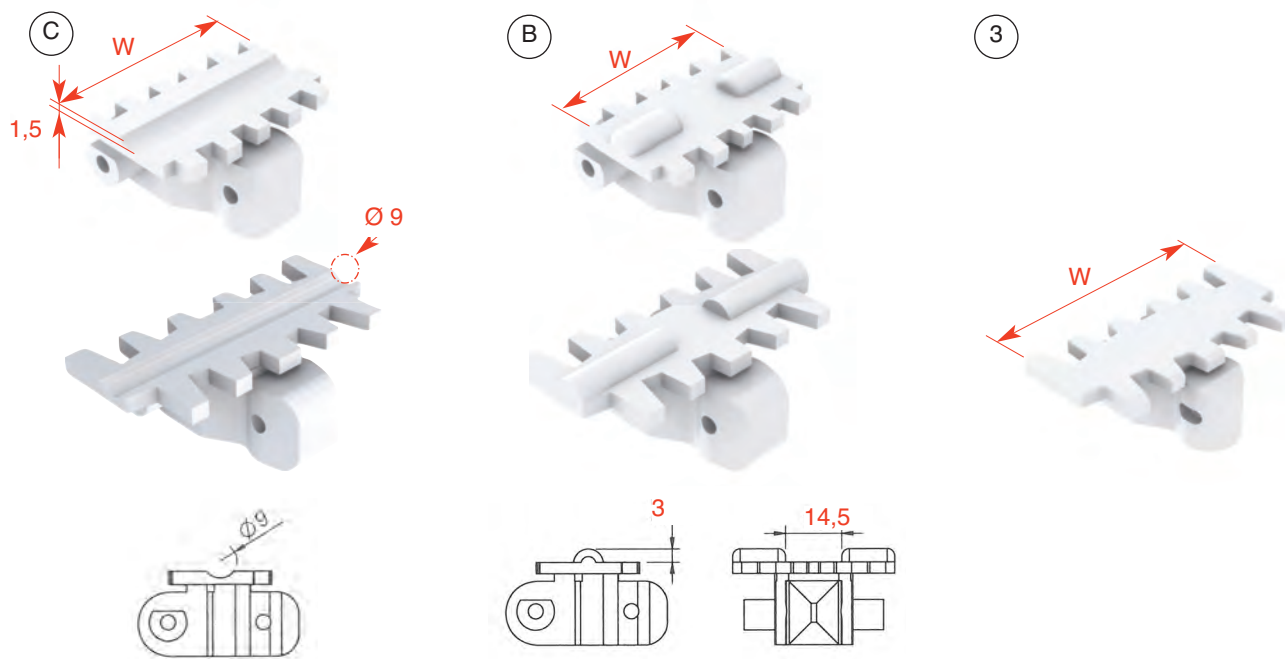
## Roller chains Lug / roller chains



	Series	FS - SS	FM - SM	FC - SC	FL
Acetal chains with...	Pitch	25,4	33,5	35,5	35,5
	W	63	83	103	150
	Figure				
2 rows of rollers Ø10.4 on each link	1		<b>FMRT 5 (L=72)</b>	<b>FCRT 5 (L=93)</b>	
	2				<b>FLRT 5V</b>
1 row of rollers Ø18 on each link	3	<b>FSRC 5A (L=39)</b>	<b>FMRC 5A (L=60)</b>	<b>FCRC 5A (L=60)</b>	
Same as pitch = (roller lug function)		<b>FSRC 5A L</b>		<b>FCRC 5A L</b>	
1 row of rollers Ø35 on each link	4		<b>FMRC 5B</b>	<b>FCRC 5B</b>	<b>FLRC 5VB</b>
Same as pitch = (roller lug function)			<b>FMRC 5B L</b>	<b>FCRC 5B L</b>	
1 row of rollers Ø20 on each link	5		<b>FMRC 5C</b>		
Same as pitch = (roller lug function)			<b>FMRC 5C L</b>		
1 row of rollers Ø11 on each link	6	<b>FSRT 5</b>			
Same as pitch = (roller lug function)		<b>FSRT 5 L</b>			



Usual Application: transport of cigarettes,  
same reference for every chain link



	Series	FK				FS - SS			
	Pitch	25,4				25,4			
Chains in... (POM = acetal)->	Figure	POM	W	PBT	W	POM	W	PBT	W
Chain with R 4.5 groove	C	<b>FKCT 5C</b>	44			<b>FSCT 5C</b>	63	<b>FSCT 5C PBT</b>	63
Reduced width variant						<b>FSCT 5C 51</b>	51	<b>FSCT 5C 51 PBT</b>	51
Chain with domed reliefs	B	<b>FKCT 5B</b>	43	<b>FKCT 5B PBT</b>	43	<b>FSCT 5B</b>	63	<b>FSCT 5B PBT</b>	63
Reduced width variant		<b>FKCT 5B 36</b>	36			<b>FSCT 5B 51</b>	51	<b>FSCT 5B 51 PBT</b>	51
Increased width variant						<b>FSCT 5B 76 *</b>	76	<b>FSCT 5B 76 PBT *</b>	76
Flat chain, width 36	3					<b>FSPC 5 36</b>	36	<b>FSPC 5 36 PBT</b>	36
Flat chain, width 51						<b>FSPC 5 51</b>	51	<b>FSPC 5 51 PBT</b>	51
Flat chain, width 52						<b>FSPC 5 52</b>	52	<b>FSPC 5 52 PBT</b>	52
Flat chain, width 76						<b>FSPC 5 76</b>	76	<b>FSPC 5 76 PBT *</b>	76

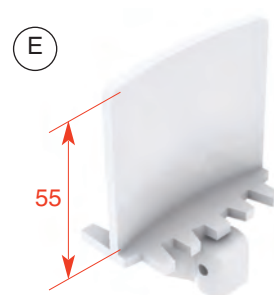
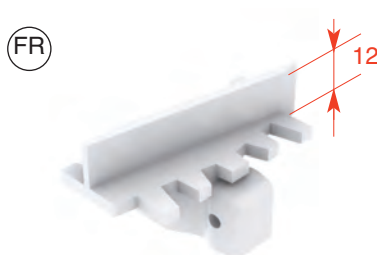
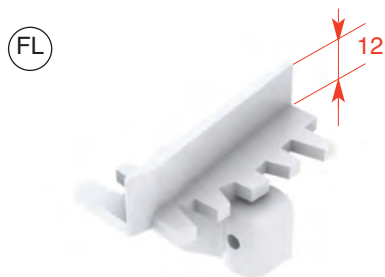
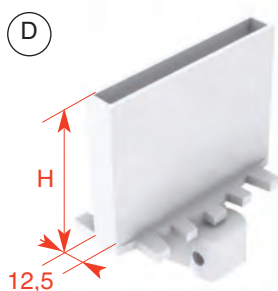
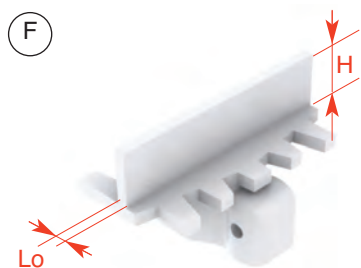
\*References of width 76 mm require special drive modules, and curves  $R \geq 500$  mm

## Wide lug chains

(same width as the link)

Horizontal or sloping transfer, without accumulation

References for lug link with a pitch L (multiple of the pitch of the chain)



	Series	FK		FS - SS		FM - SM	
Acetal chains	Pitch	25,4		25,4		33,5	
Chain width = Lug width	W	44		63		83	
Thickness of thin lug	Lo	2		3		3,5	
	Figure		H		H		H
Thin lug chains	F	FKCT 5F3 L	3	FSCT 5F15 L	15	FMCT 5F15 L	15
		FKCT 5F5 L	5			FMCT 5F20 L	20
		FKCT 5F9 L	9	FSCT 5F30 L	30	FMCT 5F30 L	30
Thick lug chains	D					FMCT 5D40 L	40
						FMCT 5D60 L(**)	60
						FMCT 5D80 L(**)	80
Inclined lug chains	FL			FSCT 5FL12 L	12		
	FR			FSCT 5FR12 L	12		
Curved lug chains	E			FSCT 5E55 L (*)	55		

(\*)  $L \geq 50,8 \text{ mm}$

(\*\*)  $L \geq 67 \text{ mm}$

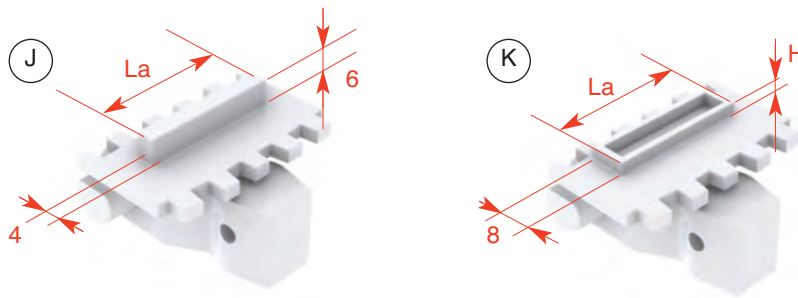


## Narrow lug chains

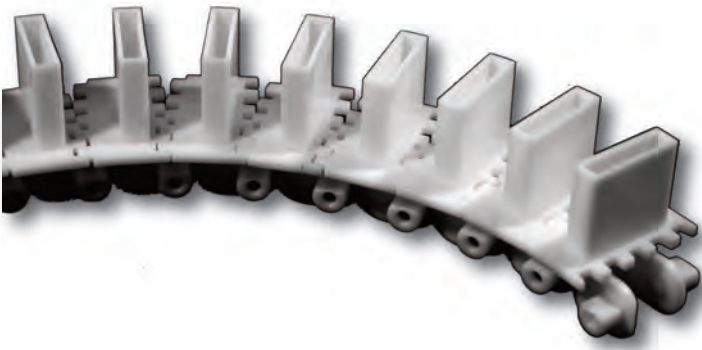
(width less than the width of the link)

Horizontal or sloping transfer, without accumulation of small products  
(lateral guiding positioned above the smooth part of the chain)

References for lug link at pitch L (multiple of the chain pitch)

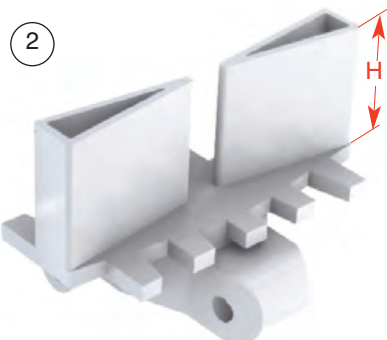
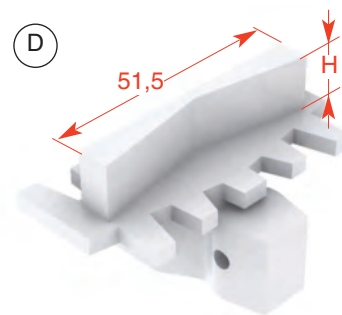
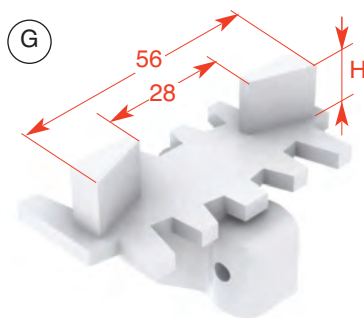
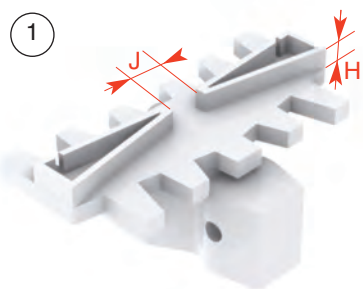


	Series	FK	
Acetal chains	Pitch	25,4	
Chain width	W	44	
Lug width	La	30	
	Figure		H
Thin lug chain	J	<b>FKCT 5J6 L</b>	6
Thick lug chain	K	<b>FKCT 5K3 L</b>	3
		<b>FKCT 5K5.5 L</b>	5,5
		<b>FKCT 5K9 L</b>	9
		<b>FKCT 5K20 L</b>	20
		<b>FKCT 5K27 L</b>	27



## Lug chains

Horizontal or sloping transfer, without accumulation  
 References for lug link with a pitch L (multiple of the pitch of the chain)



	Series		FS - SS	FM - SM	FC - SC
Acetal chains	Pitch		25,4	33,5	35,5
	W		63	83	103
	Figure	H	J = 8	J = 8	J = 15,5
Open lug chains	1	4	FSCT 5A4 L		
		5,5	FSCT 5A5.5 L		
	2	9	FSCT 5A9 L		
		12	FSCT 5A12 L		
		15	FSCT 5A15 L	FMCT 5A15 L	FCCT 5A15 L
		17	FSCT 5A17 L	FMCT 5A17 L	FCCT 5A17 L
		20			FCCT 5A20 L
		30	FSCT 5A30 L	FMCT 5A30 L	FCCT 5A30 L
	40	FSCT 5A40 L		FCCT 5A40 L	
	Figure	H			
G	12	FSCT 5G12 L			
	Figure	H			
Closed lug chains	D	5	FSCT 5D5 L		
		12	FSCT 5D12 L		
		15	FSCT 5D15 L		
		30	FSCT 5D30 L		

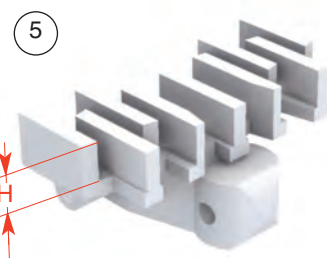
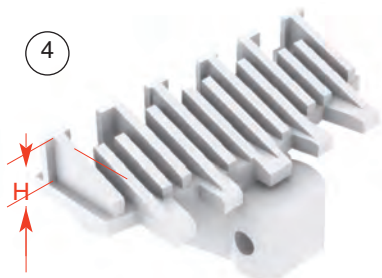
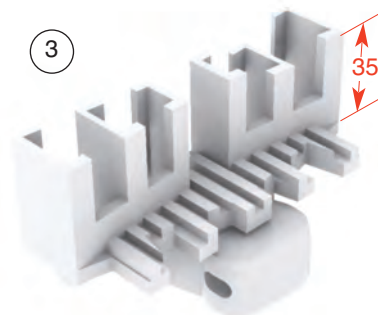
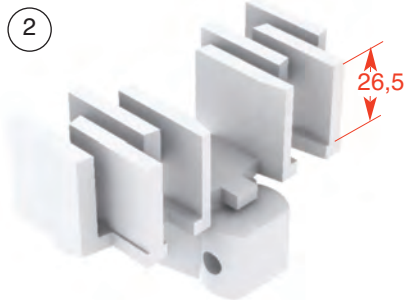
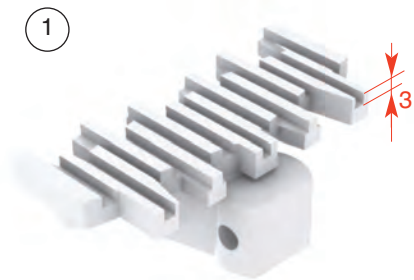


## Rib chains

For wet conditions.

Horizontal (improved sliding) or sloping transfer (Figure 4)

References for each identical chain link

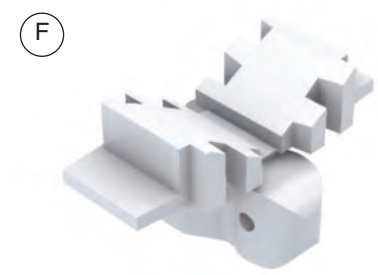
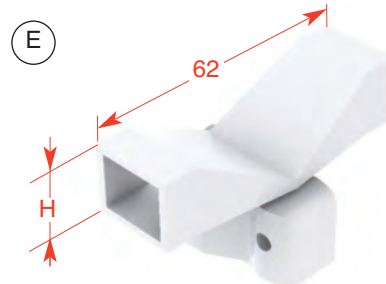
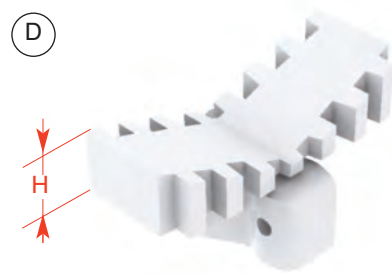
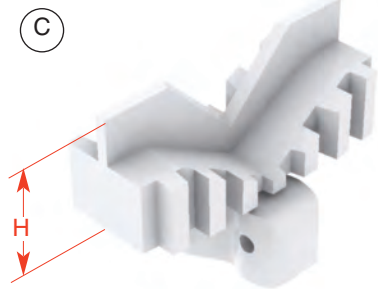
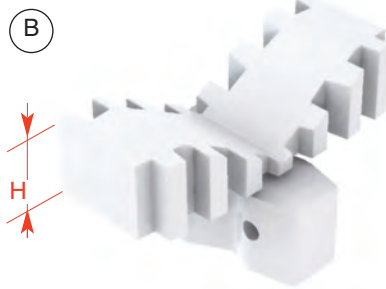
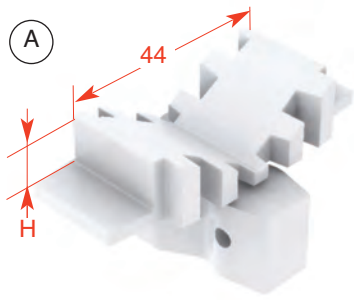


	Series	FS - SS	FM - SM	FC - SC
Acetal chains	Pitch	25,4	33,5	35,5
	W	63	83	103
	Figure			
Rib h=3	1		<b>FMRB 5A</b>	<b>FCRB 5A</b>
Rib h=26.5	2		<b>FMRB 5B</b>	
Rib + support h=35	3			<b>FCRB 5B</b>
Sloping reliefs	4	<b>FSRB 5C</b> (H=12)	<b>FMRB 5C</b> (H=15,4)	
Rib h=15	5		<b>FMRB 5D</b>	

## V-shaped chains

Horizontal or sloping transfer of cylindrical products

References for each identical chain link



	Series		FK	FS - SS	FM - SM	FC - SC
Acetal chains	Pitch		25,4	25,4	33,5	35,5
	W		44	63	83	103
V at...	Figure	H				
120°	A	13		FSCV 5A		
		13	FKCV 5B			
120°	B	15		FSCV 5B		
140°		16			FMCV 5B	
145°		17				FCCV 5B
	C	17	FKCV 5C			
		25		FSCV 5C		
140°	D	14		FSCV 5D		
	E	15		FSCV 5E		
120° with a flat in the bottom of the "V"	F	13		FSCV 5F		



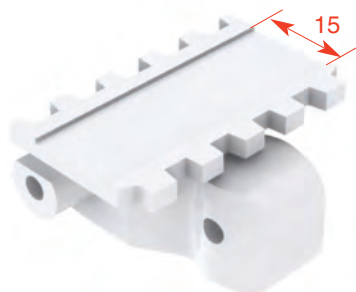
### Chains with flange(s) or longitudinal grooves

References for each identical chain link



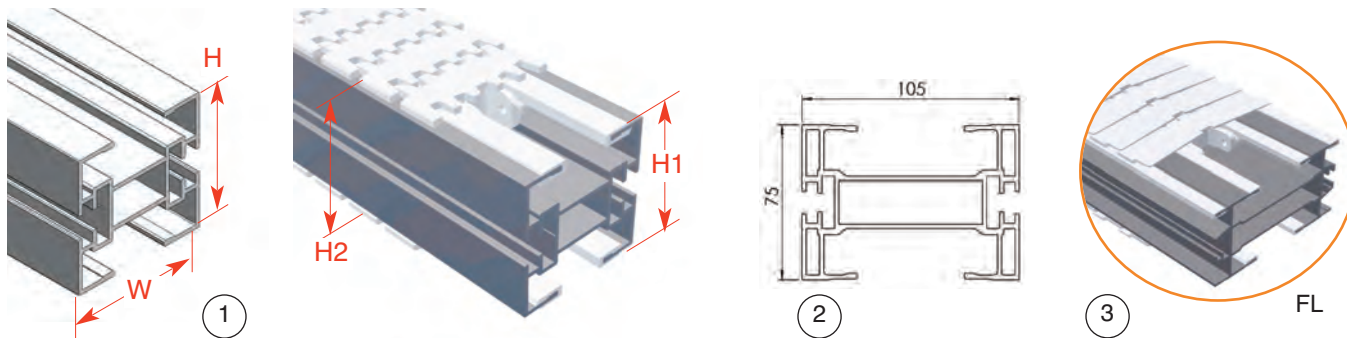
	Series	FK		FS - SS
Acetal chains	Pitch	25,4		25,4
	W	44		63
	Figure	H=3	H=6	H=18
A flange on both sides	1	<b>FK2R 5 3</b>	<b>FK2R 5 6</b>	<b>FS2R 5 18</b>
A flange on the left side	2	<b>FKRG 5 3</b>	<b>FKRG 5 6</b>	
A flange on the right side	3	<b>FKRD 5 3</b>	<b>FKRD 5 6</b>	

### Chain with transverse groove



	Series	FK
	Pitch	25,4
	W	44
Groove width 15 mm depth 0.7 mm		<b>FKTR 5</b>

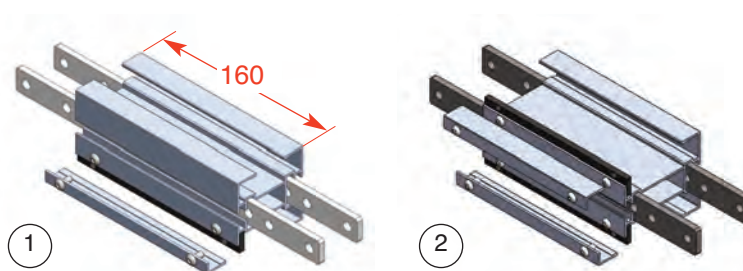
### Conveyor profile sections



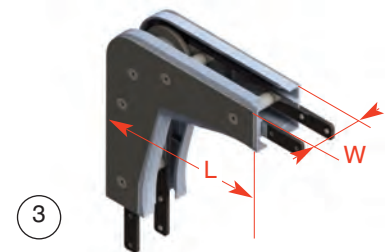
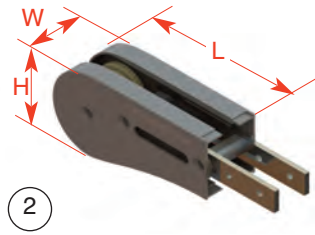
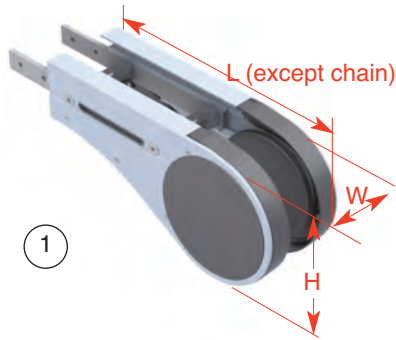
	Series	FK	FS	FM	FC	FL
Width of the conveyor / W profile section		45 / 45	65 / 65	85 / 85	105 / 105	155 / 150
Reference	Fig. 1	<b>KPS</b>	<b>SPS</b>	<b>MPS</b>	<b>CPS</b>	
Strengthened variant	Fig. 2				<b>FCCB 3R</b>	
	Fig. 3					<b>FLCB</b>
Height H aluminium profile only		64	63	75	75	75
Heights H1 / H2 (standard chain)		66 / 73	66 / 73	74 / 85	74 / 85	74 / 94
Standard lengths		3 et 6 m				3 m

### Intervention modules

They facilitate accessibility for dismantling and reassembly of the chain.

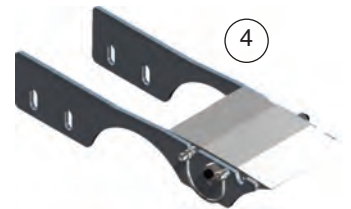
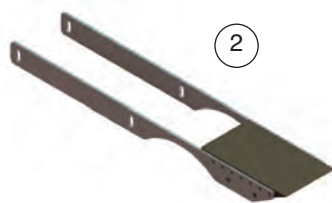
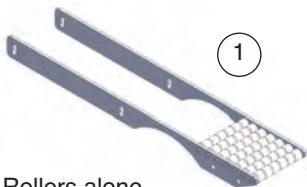


	Series	FK	FS	FM	FC	FL
Conveyor width W		45	65	85	105	155
Single intervention module	1	<b>FKCC 160</b>	<b>FSCC 160</b>	<b>FMCC 160</b>	<b>FCCC 160</b>	<b>FLCC 160</b>
Double intervention module	2			<b>FMCC 160D</b>		



	Series	FK	FS	FM	FC	FL
Standard models	Figure					
Standard end idler	1		<b>FSIE A65</b>	<b>FMIE A85</b>	<b>FCIE A105</b>	<b>FLIE A150</b>
Dimensions (H = including standard chain)			L = 320 ; H = 158 ; W = 65	L = 320 ; H = 160 ; W = 85	L = 325 ; H = 170 ; W = 105	L = 325 ; H = 174 ; W = 155
Compact versions						
Compact end idler	2	<b>FKIE 200</b>	<b>FSIE 200</b>	<b>FMIE 260P</b>	<b>FCIE 280P</b>	
Dimensions (H = including standard chain)		L = 200 ; H = 101 ; W = 45	L = 200 ; H = 102 ; W = 65	L = 256 ; H = 132 ; W = 85	L = 275 ; H = 138 ; W = 105	
90° idler Reference			<b>FSIB 206</b>	<b>FMIB 300</b>	<b>FCIB 350</b>	
Dimensions	3		L = 200 ; W = 65	L = 300 ; W = 93	L = 350 ; W = 113	

### Transfer kits for end modules

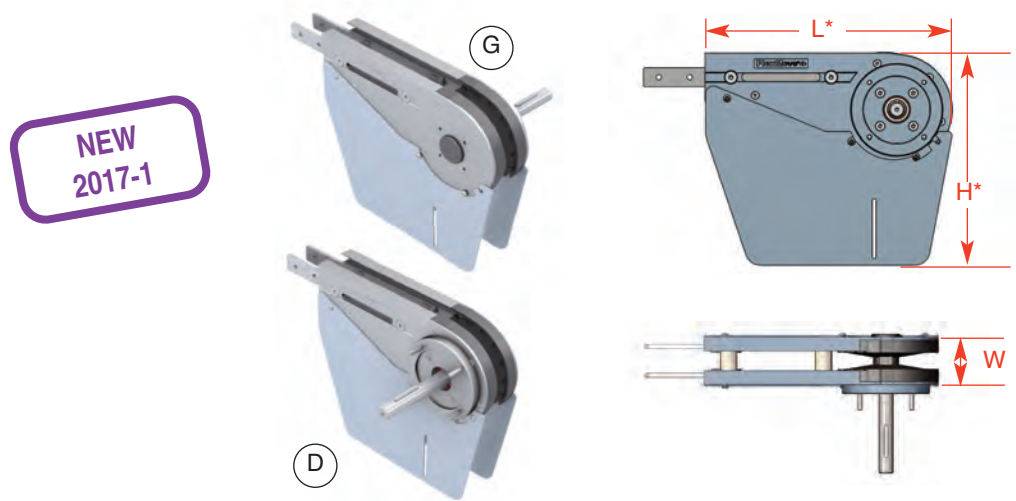


Rollers alone  
(acetal Ø11): **FAFR 11**

	Series	FK	FS	FM	FC	FL
For standard end modules (do not fit on compact versions)	Figure		(FSIE 65 FSDD 65... FSDD GP...)	(FMIE 85 FMDD 85... FMDD GP...)	(FCIE 105 FCDD 105... FCDD GP...)	(FLIE 325 FLDD... FLDD GP...)
Roller transfer kit	1	<b>FKTB 45</b>	<b>FSTB 65</b>	<b>FMTB 85</b>	<b>FCTB 105</b>	<b>FLTB 150</b>
Plate transfer kit	2	<b>FKTB 45P</b>	<b>FSTB 65P</b>	<b>FMTB 85P</b>	<b>FCTB 105P</b>	<b>FLTB 150P</b>
For new standard end modules (do not fit on compact versions)			(FSIE A65) (FSDD A65...)	(FMIE A85)	(FCIE A105)	(FLIE A150)
Roller transfer kit	3		<b>FSTB A65</b>	<b>FMTB A85</b>	<b>FCTB A105</b>	<b>FLTB A150</b>
Plate transfer kit	4		<b>FSTB A65P</b>	<b>FMTB A85P</b>	<b>FCTB A105P</b>	<b>FLTB A150P</b>
For end modules with transmission		(FKSD...)	(FSSD...)	(FMSD...)	(FCSD...)	(FLSD...)
Roller transfer kit	1	<b>FKTB 45SD</b>	<b>FSTB 65SD</b>	<b>FMTB 85SD</b>	<b>FCTB 105SD</b>	<b>FLTB 150SD</b>
Plate transfer kit	2	<b>FKTB 45PSD</b>	<b>FSTB 65PSD</b>	<b>FMTB 85PSD</b>	<b>FCTB 105PSD</b>	<b>FLTB 150PSD</b>
For compact idler modules	->	(FKIE-45)	(FSIE-200)	(FMIE-260P)	(FCIE-280P)	
Roller transfer kit	1	<b>FKTB 200</b>	<b>FSTB 200</b>	<b>FMTB 260</b>	<b>FCTB 280</b>	
Plate transfer kit	2	<b>FKTB 200P</b>	<b>FSTB 200P</b>	<b>FMTB 260P</b>	<b>FCTB 280P</b>	



for all of these modules, the motors have to be ordered separately.  
Multi-track modules to order.



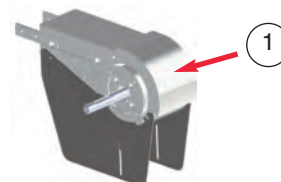
**Standard models** (intended for SEW WAF20® or WAF30® gear motors, shaft Ø20, flange Ø120)

	Series	FK	FS	FM	FC	FL
	Figure					
Gear motor on the left	G	FKDD A45 0L	FSDD A65 0L	FMDD A85 0L	FCDD A105 0L	FLDD A150 0L
Gear motor on the right	D	FKDD A45 0R	FSDD A65 0R	FMDD A85 0R	FCDD A105 0R	FLDD A150 0R
Dimensions (*) excluding chain		L = 320 ; H = 250 ; W = 57	L = 320 ; H = 265 ; W = 65	L = 320 ; H = 265 ; W = 85	L = 325 ; H = 265 ; W = 105	L = 325 ; H = 285 ; W = 155
Gear (Z=Nbr of teeth)		Z16 Øp 133,8	Z16 Øp 133,8	Z12 Øp 129,4	Z12 Øp 137,2	Z12 Øp 137,2
Maximum tensile force		500 N	500 N	1250 N	1250 N	1250 N

**Compact models** (intended for SEW WAF10® gear motors, shaft Ø16, flange Ø80)

	Series	FK	FS	FM	FC	FL
	Figure					
Gear motor on the left	G	FKDD 250 0L	FSDD 250 0L			
Gear motor on the right	D	FKDD 250 0R	FSDD 250 0R			
Dimensions (H = including standard chain)		L = 250 ; H = 160 ; W = 51	L = 250 ; H = 162 ; W = 65			
Gear (Z=Nbr of teeth)		Z11 Øp 90	Z11 Øp 90			
Maximum tensile force		500 N	500 N			

**Protection plate for chain winding**



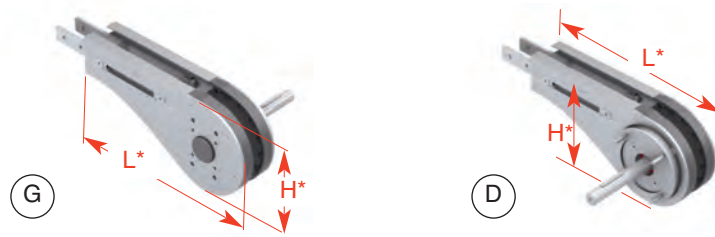
	Series	FS	FM	FC
	Figure			
For idler modules	->	(FSIE A65)	(FMIE A85)	(FCIE A105)
Guard plate		<b>FSIE-PCB</b>	<b>FMIE-PCB</b>	<b>FMIE-PCB</b>
For direct drive modules	->	(FSDD...)	(FMDD...)	(FCDD...)
Guard plate	1	<b>FSDD-PCB</b>	<b>FMDD-PCB</b>	<b>FCDD-PCB</b>

for all these modules, the motors have to be ordered separately.  
Multi-track modules to order.

### Variants without slack strand for wedge conveyors

Standard models (intended for SEW WAF20® or WAF30® gear motors, shaft Ø20, flange Ø120)

NEW  
2017-1



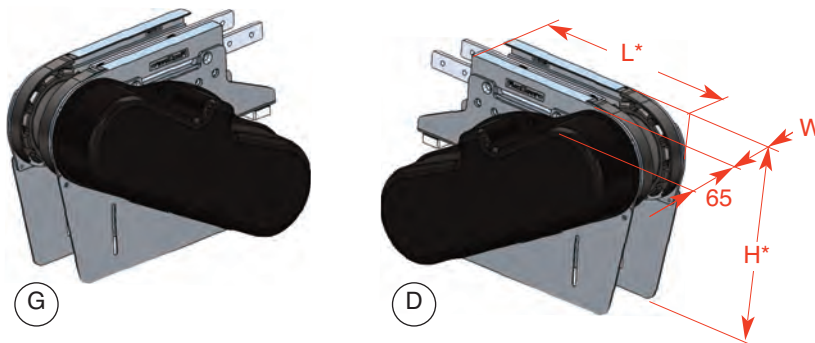
	Series	FK	FS	FM	FC	FL
	Figure					
Gear motor on the left	G	FKDD A45GP 0L	FSDD A65GP 0L	FMDD A85GP 0L	FCDD A105GP 0L	FLDD A150GP 0L
Gear motor on the right	D	FKDD A45GP 0R	FSDD A65GP 0R	FMDD A85GP 0R	FCDD A105GP 0R	FLDD A150GP 0R
Dimensions (H = including standard chain)		L = 320 ; H = 160 ; W = 57	L = 320 ; H = 162 ; W = 65	L = 320 ; H = 162 ; W = 85	L = 325 ; H = 171 ; W = 105	L = 325 ; H = 176 ; W = 105
Gear (Z=Nbr of teeth)		Z16 Øp 133,8	Z16 Øp 133,8	Z12 Øp 129,4	Z12 Øp 137,2	Z12 Øp 137,2
Maximum tensile force		500 N	500 N	1250 N	1250 N	1250 N

### Drive modules with transmission and adjustable torque limiter

Standard support plate intended for SEW W30®, S37® gear motors in the horizontal position.

Transmission by 08B roller chain (pitch = 12.7 mm, 3m included by module) gears: 19 teeth; Ø prim = 77.16 mm.

NEW  
2017-2



	Series	FK	FS	FM	FC	FL
	Figure					
Gear motor on the left	G	FKSD A45 0L	FSSD A65 0L	FMSD A85 0L	FCSD A105 0L	FLSD A150 0L
Gear motor on the right	D	FKSD A45 0R	FSSD A65 0R	FMSD A65 0R	FCSD A105 0R	FLSD A150 0R
Dimensions (*) excluding chain		L = 320 ; H = 278 ; W = 57	L = 320 ; H = 265 ; W = 77	L = 320 ; H = 265 ; W = 97	L = 320 ; H = 265 ; W = 117	L = 325 ; H = 285 ; W = 166
Gear (Z=Nbr of teeth)		Z16 Øp 133,8	Z16 Øp 133,8	Z12 Øp 129,4	Z12 Øp 137,2	Z12 Øp 137,2
Maximum tensile force		500 N	500 N	1250 N	1250 N	1250 N

for all these modules, the motors have to be ordered separately.  
Multi-track modules to order.

### Direct intermediate drive modules without torque limiter (\*)

(intended for SEW WAF20® or WAF30® geared motors, shaft Ø20, flange Ø120)  
(drive pinion on the lower strand of the chain, tensile force max 200 N)

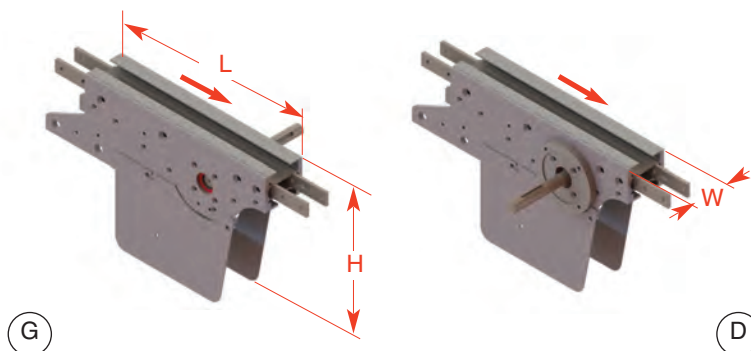


Figure ↓ Series →		FK	FS	FM	FC
Gear motor on the left	G	FKID DD 0L	FSID DD 0L(*)	FMID DD 0L (*)	FCID DD 0L
Gear motor on the right	D	FKID DD 0R	FSID DD 0R(*)	FMID DD 0R(*)	FCID DD 0R
Dimensions		L = 380 ; H = 280 ; W = 57	L = 380 ; H = 280 ; W = 77	L = 465 ; H = 300 ; W = 97	L = 465 ; H = 300 ; W = 117
Gear (Z=Nbr of teeth)		Z11 Øp 90	Z11 Øp 90	Z9 Øp 98	Z9 Øp 104

(\*) Not compatible with closed chains (R500 and R700),  
items 4 and 5 of page 14

### Intermediate drive modules with transmission and adjustable torque limiter (\*)

Standard support plate intended for SEW W30®, S37® gear motors in the horizontal position, max. tensile force 200 N  
Transmission by 08B roller chain (pitch = 12.7 mm, 3m included per module) gears: 19 teeth; Ø prim = 77.16 mm.

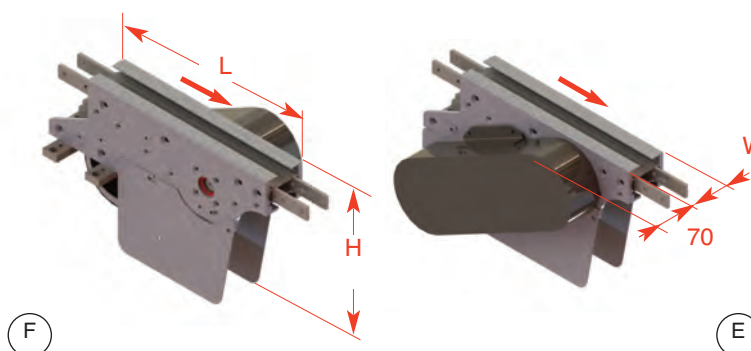


Figure ↓ Series →		FK	FS	FM	FC
Gear motor on the left	F	FKID SD 0L	FSID SD 0L (*)	FMID SD 0L (*)	FCID SD 0L
Gear motor on the right	E	FKID SD 0R	FSID SD 0R (*)	FMID SD 0R (*)	FCID SD 0R
Dimensions		L = 380 ; H = 280 ; W = 57	L = 380 ; H = 280 ; W = 77	L = 465 ; H = 300 ; W = 97	L = 465 ; H = 300 ; W = 117
Gear (Z=Nbr of teeth)		Z11 Øp 90	Z11 Øp 90	Z9 Øp 98	Z9 Øp 104

(\*) Not compatible with closed chains (R500 and R700),  
items 4 and 5 of page 14



## Catenary drive modules

for all these modules, the motors have to be ordered separately.  
Multi-track modules to order.

### Drive modules with direct catenary, without torque limiter

(intended for SEW WAF20® or WAF30® geared motors, shaft Ø20, flange Ø120)  
(drive gear under the upper strand of the chain, the conveyor has no return strand)

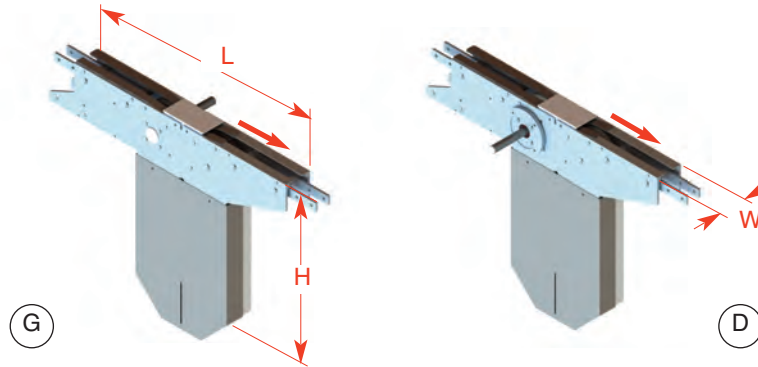


Figure ↓ Series →		FK	FS	FM	FC
Gear motor on the left	G	FKCD DD 0L	FSCD DD 0L	FMCD DD 0L	FCCD DD 0L
Gear motor on the right	D	FKCD DD 0R	FSCD DD 0R	FMCD DD 0R	FCCD DD 0R
Dimensions		L = 670 ; H = 560 ; W = 57	L = 670 ; H = 560 ; W = 77	L = 675 ; H = 567 ; W = 97	L = 685 ; H = 560 ; W = 117
Gear (Z=Nbr of teeth)		Z16 Øp 133,8		Z12 Øp 129,4	Z12 Øp 137,2
Maximum tensile force		500 N		1250 N	

### Catenary drive modules with transmission and adjustable torque limiter

Standard support plate intended for SEW W30®, S37® gear motors in the horizontal position.  
(drive gear under the upper strand of the chain, the conveyor has no return strand)

Transmission by 08B roller chain (pitch = 12.7 mm, 3m included per module) gears: 19 teeth; Ø prim = 77.16 mm.

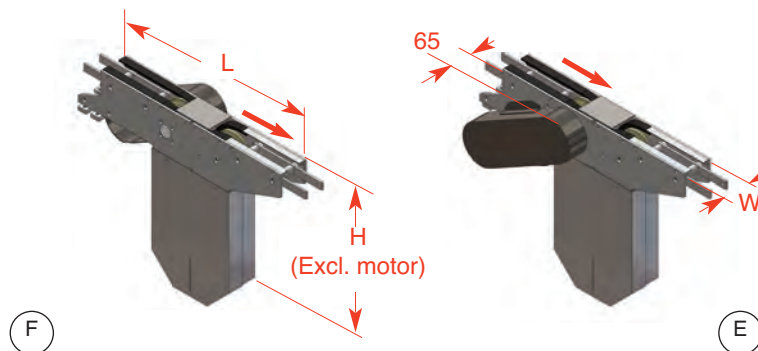
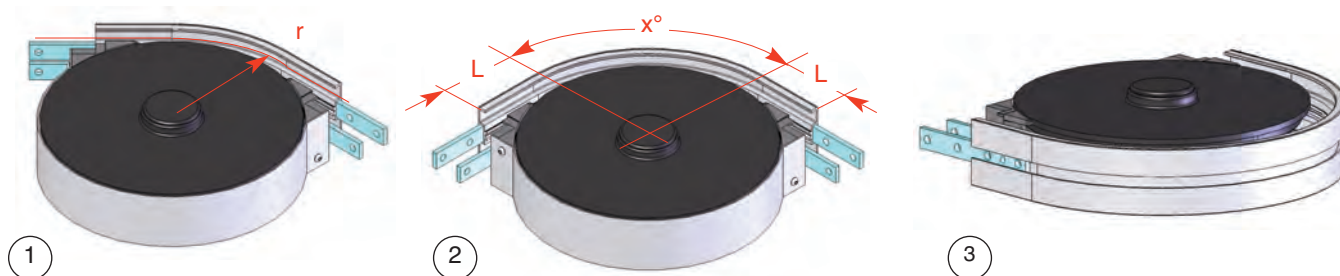


Figure ↓ Series →		FS	FM	FC
Gear motor on the left	F	FSCD SD 0L	FMCD SD 0L	FCCD SD 0L
Gear motor on the right	E	FSCD SD 0R	FMCD SD 0R	FCCD SD 0R
Dimensions		L = 670 ; H = 560 ; W = 77	L = 675 ; H = 567 ; W = 97	L = 685 ; H = 560 ; W = 117
Gear (Z=Nbr of teeth)		Z16 Øp 133,8	Z12 Øp 129,4	Z12 Øp 137,2
Maximum tensile force		500 N	1250 N	

### Curve modules with wheels

These modules allow friction-free chain guiding. The wheels are made from fibre glass reinforced nylon and are held by double sealed ball bearings ensuring durability and minimum friction. Linking fish plates included in each module.



	Series	FK	FS	FM	FC	FL
Angle $x^\circ$	Figure	FKWB...	FSWB...	FMWB...	FCWB...	FLWB...
30°		FKWB 30R150A	FSWB 30R150A	FMWB 30R160A	FCWB 30R170A	FLWB 30R210A
45°	1	FKWB 45R150A	FSWB 45R150A	FMWB 45R160A	FCWB 45R170A	FLWB 45R210A
60°		FKWB 60R150A	FSWB 60R150A	FMWB 60R160A	FCWB 60R170A	FLWB 60R210A
90°	2	FKWB 90R150A	FSWB 90R150A	FMWB 90R160A	FCWB 90R170A	FLWB 90R210A
180°	3	FKWB 180R150A	FSWB 180R150A	FMWB 180R160A	FCWB 180R170A	FLWB 180R210A
Other angles ( $x^\circ$ ) to order		FKWB xR150A	FSWB xR 150 A	FMWB xR160A	FCWB xR170A	FLWB xR 210 A
Mean radius r		150	150	160	170	210
Lengths of the straight portions L		80				300

**FKWB:** It is not possible to fit these curves directly on drive modules FKDD and FKSD or idler FKIE. A straight module must be fitted between them.

### Curved drive modules, with sprocket, 180°:

These modules enable the motorization of "carousel" conveyors. An intervention module F...CC-160 is required.

The gear motor is positioned horizontally under the module, by direct fitting or with transmission.

The position of the motor, direction of rotation (clockwise / anticlockwise to be specified on the order); gear motor and connection flange to be ordered separately. Allowable forces 200 N.

Linking fish plates included in each module (references of the fishplates the same as those of the curves with wheels above).



### Direct curved drive modules, without torque limiter

(intended for SEW WAF20® or WAF30® geared motors, shaft Ø20, flange Ø120)

	Series	FK	FS	FM	FC	
	Figure 1	FKWD DD 0M	FSWD DD 0M	FMWD DD 0M	FCWD DD 0M	
Primitive radius / sprocket (Z= number of teeth)		150 mm / Z37	150 mm / Z37	160 mm / Z30	170 mm / Z30	

### Curved drive modules with transmission and torque limiter

Standard support plate intended for SEW W30®, S37® gear motors in the horizontal position

	Series	FK	FS	FM	FC	FL
	Figure 2	FKWD SD 0M	FSWD SD 0M	FMWD SD 0M	FCWD SD 0M	FLWD SD 0M
Primitive radius / sprocket (Z= number of teeth)		150 mm / Z37	150 mm / Z37	160 mm / Z30	170 mm / Z30	210 mm / Z37

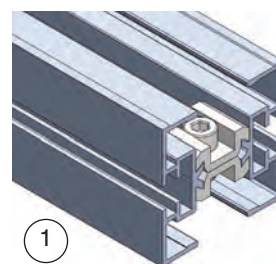


## Curves on slip rails: Horizontal & articulated horizontal

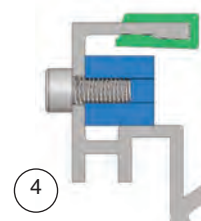
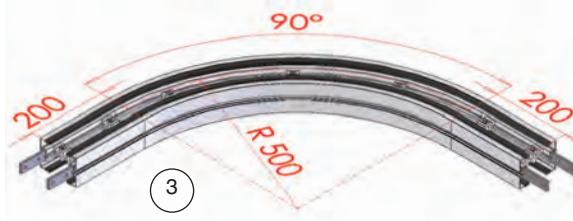
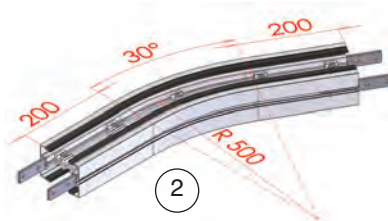
### Horizontal curves on slip rails:

These modules are made by bending 2 aluminium half-profile sections with spacers (figure 1). They allow reduced volume thanks to the absence of rotating plates, but create additional friction. We recommend a verification of the tensile forces applied to the chain (our Design Office is at your disposal).

Tolerance +/- 1 mm for the radius and +/- 1° for the angle. All angles and radii can be produced to order (see example of concentric curves below). Linking fish plates included in each module. In the event of significant forces or high speed, a bendable wear profile section in PA6 can be mounted on the inside using M5x10 screws (Figure 4).



Examples: FCHB 15 R 500 (figure 2) and FCHB 90 R 500 (figure 3)



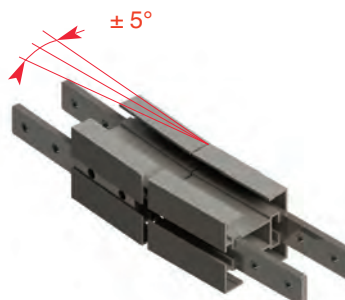
Series	FK	FS	FM	FC	FL
Angle $x^\circ$	standard: 15°, 30°, 45°, 60°, 90°, 180° (autres sur demande)				
Radius $y$ mm	150 (mini) - 300 - 500		250 (mini) - 500 - 700	300 (mini)- 500-700-1000	500 (mini) - 700 - 1000
References of the modules (angle $x^\circ$ Radius $y$ mm)	FKHB $x$ R $y$	FSHB $x$ R $y$	FMHB $x$ R $y$	FCHB $x$ R $y$	FLHB $x$ R $y$
Example of a reference (Angle 90° Radius 500 mm)	FKHB 90 R 500	FSHB 90 R 500	FMHB 90 R 500	FCHB 90 R 500	FLHB 90 R 500
Standard lengths of the straight portions L	200				
Linking fish plates included in each module.	FACS 20x140		FACS 25x140A		

**FKHB only:** It is not possible to fit these curves directly on drive modules FKDD and FKSD or idler FKIE. A straight module must be fitted between them.



E.g.: Concentric curves

### Articulated horizontal curves on slip rails:

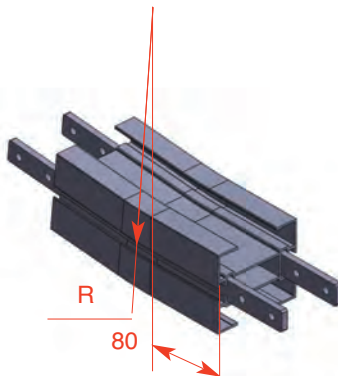


Series	FK	FS	FM	FC	FL
References of the modules		FSHAB 5			
Linking fish plates included in each module.	FACS 20x140		FACS 25x140A		

## Curves on slip rails: Vertical & articulated vertical

### Vertical curves on slip rails:

Vertical curves enable a change in slope of the conveyors. Like all curves on slip rails, they cause additional friction. Standard aluminium curves, kept in stock. These modules are made by bending aluminium beam section on which is fitted the slip profile in continuity of the upstream and downstream modules.



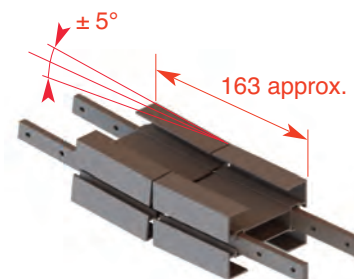
Series	,FK	FS	FM	FC	FL
Angle $x^\circ$	standard: 5°, 7°, 10°, 15°, 30°, 45°, 90° (autres sur demande)				
Radius R (mm)	300	300	400	400	500
References of the modules (angle $x^\circ$ )	FKVB x R 300	FSVB x R 300	FMVB x R 400	FCVB x R 400	FLVB x R 500
Example of a reference (angle 7°)	FKVB 7 R 300	FSVB 7 R 300	FMVB 7 R 400	FCVB 7 R 400	FLVB 7 R 500
Standard lengths of the straight portions L	80				
Linking fish plates included in each module.	FACS 20x140		FACS 25x140A		

For angles  $< 2^\circ$ , a simple bias cut can be made on straight beams, with fish plating by FACS-20X140)

### Articulated vertical curves on slip rails:

This module allows you to adjust the slope of a straight section, for example, to adapt it to the height of the vials.

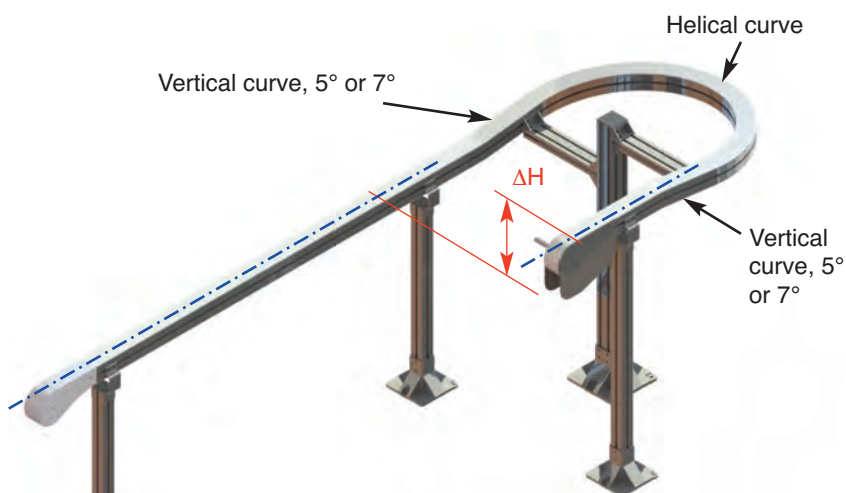
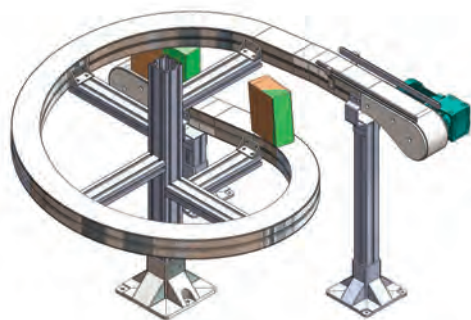
Angles and straight parts made to order.



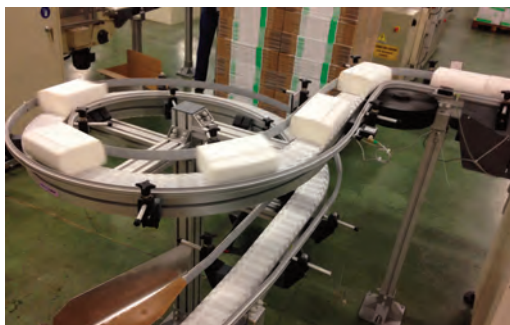
Series	FK	FS	FM	FC	FL
References of the Modules	FKVAB 5	FSVAB 5	FMVAB 5	FCVAB 5	
Linking fish plates included in each module.	FACS 20x140		FACS 25x140A		

# FS, FM and FC conveyor ranges Helical or twisted curves on slip rails

Helical curves allow space saving along with a change of direction and level. They are produced by bending, usually at a radius 500 mm. The usual angle is 90°, 180°, or even 360°. At the beginning and end of a helical curve, a vertical curve enables connection to horizontal parts. It is also possible to prepare for the beginning and/or the end of a sloping conveyor. Our Design Office is at your disposal to validate your requirement.

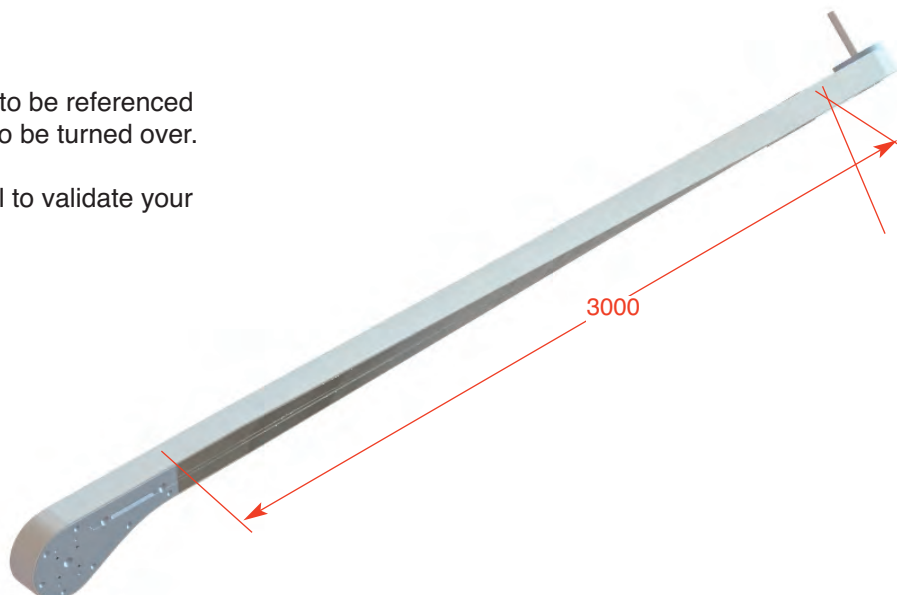


Slope angle	ΔH for curve in Rm 500...		
	at 90°	at 180°	at 360°
5°	100	169	306
7°	142	237	429



The twisted curves enable products to be referenced along the lateral guide, or products to be turned over.

Our Design Office is at your disposal to validate your requirement.





## F45 chain range

Acetal chains, pitch 12.7 mm

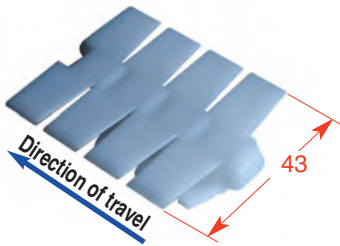
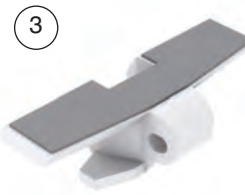
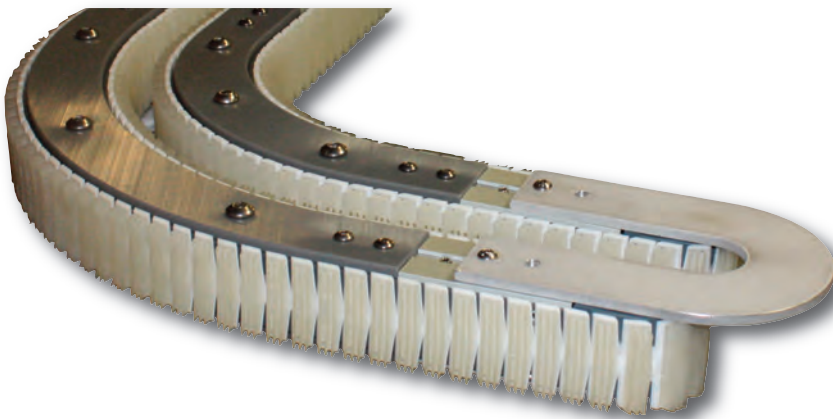
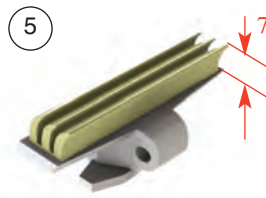
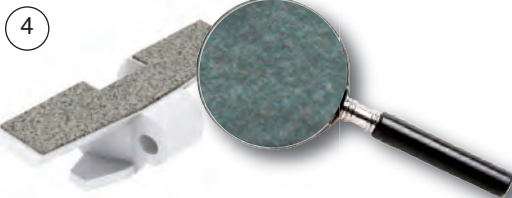


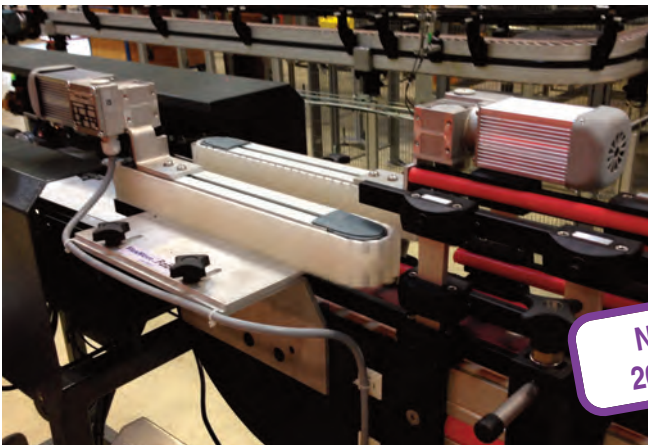
	Figure	
Natural acetal flat chain	1	<b>F45PC 3</b>
V-Form, 140°	2	<b>F45CV 3E</b>
Chain with insert	3	<b>F45FT 3</b>
Flocked chain	4	<b>F45FC 3</b>
Slat chain	5	<b>F45WT 3C</b>



Elastic Limit 200 N  
 Max speed 20m/min  
 Packaging: Roll of 3 m  
 Applications: light products  
 Maximum conveyor length: 6 m



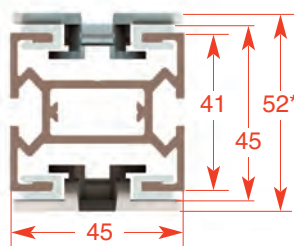
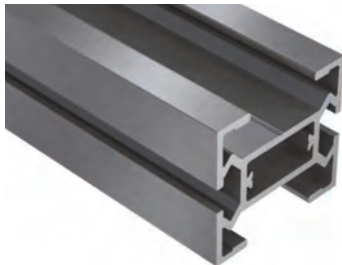
Example of an application: timer



**NEW**  
2017-1

### F45CB Beam

Packaging: 3 m bar;  
(recuts to order)  
Slip profile: **F45SR 25H** (PEHD+PA6 grey)

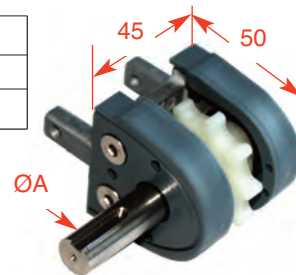


\* With F45 PC3 chain

### Drive modules

(usable with the shaft protruding on the right or the left)  
10-tooth gear  
Motors to order, max. speed 20m/min

ØA	Reference
9	<b>F45DD 9</b>
12	<b>F45DD 12</b>



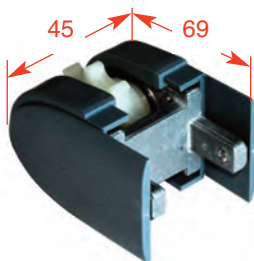
Standard fitting

Fitting with brushless motor

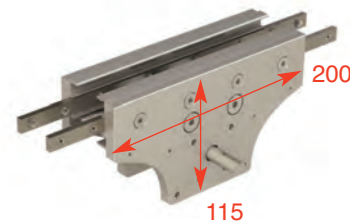


### Idler module F45IE 50

10-tooth sprocket

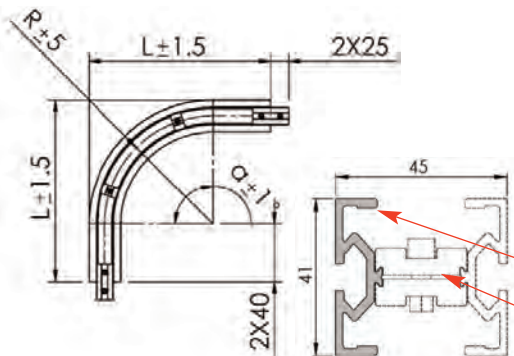


### Intermediate drive module F45ID



### F45HB horizontal curves on slip rails

Mean radius 150 or 300 mm, Straight portions of 40 mm, fish plates included



F45CB 3H half-beam

F45HB CLP mounting clamp between half-beams

### F45VB vertical curves on slip rails

Mean radius 400 mm, straight portions of 40 mm, fish plates included



angle a	R = 150	R = 300
30°	<b>F45HB 30R150</b>	<b>F45HB 30R300</b>
45°	<b>F45HB 45R150</b>	<b>F45HB 45R300</b>
90°	<b>F45HB 90R150</b>	<b>F45HB 90R300</b>
180°	<b>F45HB 180R150</b>	<b>F45HB 180R300</b>

angle a	
5°	<b>F45VB 5R400</b>
7°	<b>F45VB 7R400</b>
15°	<b>F45VB 15R400</b>
90°	<b>F45VB 90R400</b>

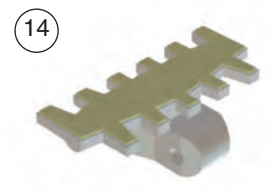
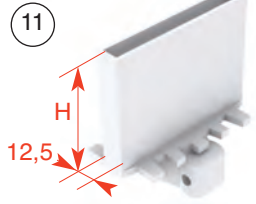
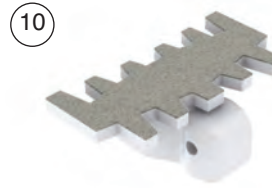
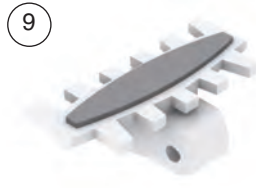
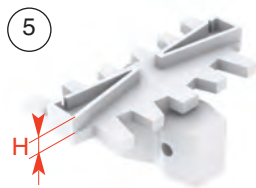
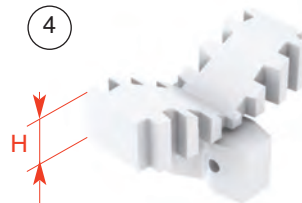
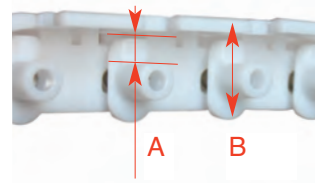
Other radii on request

### Fish plates

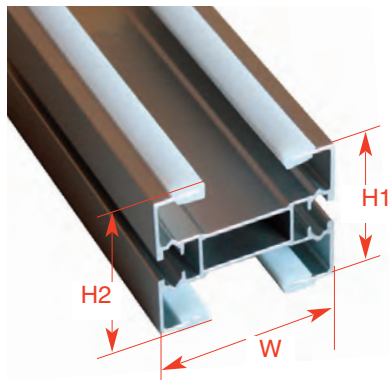
	Figure	
lateral	1	<b>FACS 11x100</b>
central	2	<b>FACS 50</b>



		Series	CM
Acetal chains		Pitch	33.5
Chain width		W	83
Elastic limit (except with plastic pins)			1250 N
		Figure	A = 9; B = 29.5
Natural acetal flat chain		1	<b>CMPC 5</b>
Idem with plastic pins: elastic limit 250N			<b>CMPC 5P</b>
Acetal flat chain, antistatic black			<b>CMPC 5 CD</b>
Wear-resistant chain			<b>CMPC 5WR</b>
Safety chains		2	<b>CMSC 5</b>
Idem with anti-slip insert on each link			<b>CMSC 5FT</b>
Closed chain 700 radius		3	<b>CMPC 5R700</b>
V-chain	H=16	4	<b>CMCV 5B</b>
Lug chain tabs (pitch ...L)	H=9	5	<b>CMCT 5A9 L</b>
	H=12		<b>CMCT 5A12 L</b>
	H=15		<b>CMCT 5A15 L</b>
	H=17		<b>CMCT 5A17 L</b>
	H=30		<b>CMCT 5A30 L</b>
Universal chain		6	<b>CMUC 5</b>
Flat acetal chain, steel plated		7	<b>CMST 5</b>
Flat acetal chain + anti-slip insert on each link		8	<b>CMFT 5</b>
		9	<b>CMFT 5C</b>
Flocked chain		10	<b>CMFC 5</b>
Thick lug chain (pitch ...L)	H=125	11	<b>CMCT5 D125L</b>
Chain with insert covering the whole slat		12	<b>CMFT 5A</b>
Chain with tubular insert		13	<b>CMWT 5C</b>
Chain with translucent insert covering the whole slat		14	<b>CMFT 5F</b>







### Aluminium beam

Packaging: 3 m bar;  
recuts to length to order

### FACS-20x140 fish plates

**Slip profiles:**  
detail on page 47

**Fixing screws:**  
PAST M5x7 (white) oder PAST M5x7 SCHWARZ

**Mounting rivets: Aluminium rivet 4x8**

		H1	H2	W
Beam	<b>CMCB 3</b>	73.5	79	85
Side	<b>CMCB 3H</b>			
Clip	<b>CMHB CLP</b>			

Profile section	material
<b>CMSR 25</b> <b>CMSR 25B</b> <b>CMSR 3</b>	HDPE
<b>CMSR 25H</b>	PA+PE grey
<b>CMSR 25A</b>	Black anti-static HDPE
<b>CMSR 25P</b>	PVDF

### Curves with wheels:

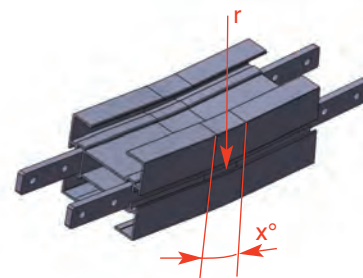
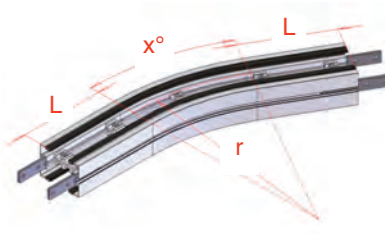
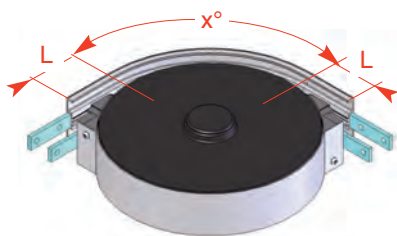
	CMWB
Mean radius r	160
Angle x°	
30°	<b>CMWB 30R160A</b>
45°	<b>CMWB 45R160A</b>
90°	<b>CMWB 90R160A</b>
180°	<b>CMWB 180R160A</b>
(x°) on request	<b>CMWB xR160A</b>
L	80

### Curves on slip rails:

	CMHB
Mean radius y	300, 500, 700, 1000
Angle x°	30°, 45°, 60°, 90°
Straight parts L	200
References	CMHB x R y

### Vertical curves on slip rails:

	CMVB
Mean radius r	400
Angle x°	
5°	<b>CMVB 5R400</b>
7°	<b>CMVB 7R400</b>
15°	<b>CMVB 15R400</b>
30°	<b>CMVB 30R400</b>
L	80



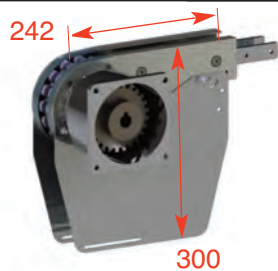
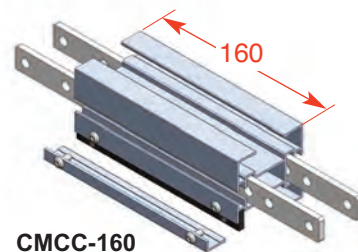
### Drive modules with transmission and torque limiter:

gear motor	1: direct	2 with transmission
on the left	<b>CMDD TL 0L</b>	<b>CMSD 0L</b>
on the right	<b>CMDD TL 0R</b>	<b>CMSD 0R</b>

### Idler module:



### Intervention module:



① **CMDD TL 0L**

② **CMSD 0L**

	Series			FB 175	FB 295
Acetal chains	Pitch			33,5	33,5
Chain width	W			175	295
	Figure	Elastic limit			
				FB 175	FB 295
Natural acetal flat chain	1	1250 N		<b>FB175 PC 3A</b>	<b>FB295 PC 3A</b>
Idem with anti-slip insert on each link	2			<b>FB175 FT 3A</b>	<b>FB295 FT 3A</b>
Antistatic chain	1			<b>FB175 CD 3A</b>	
Roller lug chain Ø46				<b>FB175 RC 3A</b>	

Packaging: 3 m roll

①



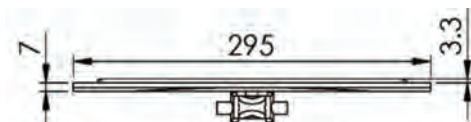
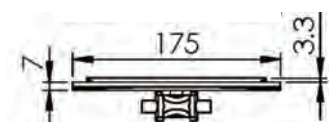
①

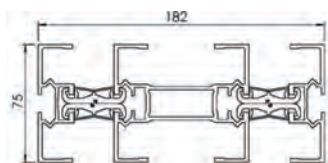


②



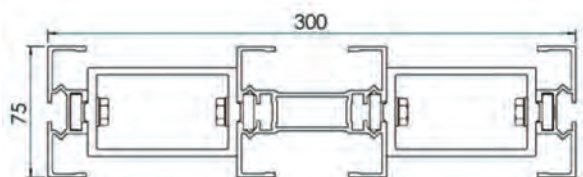
②





- ① **Aluminium beam**  
 Packaging: 3 m bar  
 Recuts to length to order

reference	figure
<b>FB175 CB3</b>	1
<b>FB295 CB3</b>	2



- ② **Slip profile, templates and profile mountings:**  
 see page 47

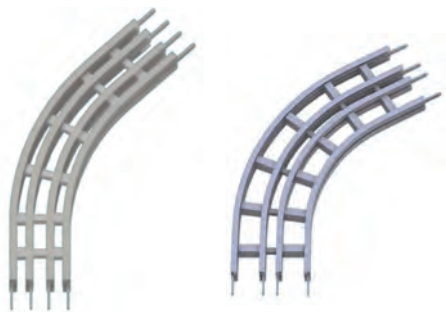
**Tools, fish plates:** see page 48

**Curves on slip rails:**

	FB175 HB	FB295 HB
Mean radius $y$	500, 700, 1000	700, 1000
Angle $x^\circ$	30°, 45°, 60°, 90°	
Straight parts L	200	
References	FB175 HB x R y	FB 295 HB x R y

**Vertical curves on sliding rails:**

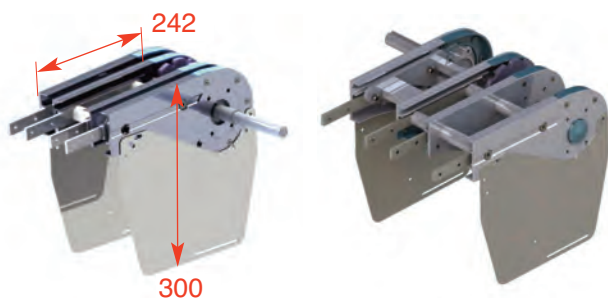
	FB175 VB	FB295 VB
Mean radius $y$	750	
Angle $x^\circ$	5°, 7°, 15°, 30°, 45°, 60°, 90°	
Straight parts L	80	
References	FB175 VB x R y	FB 295 VB x R y



**Drive modules:**

gear motor	FB175 DD	FB295 DD
on the left	<b>FB175 DD 0L</b>	<b>FB295 DD 0L</b>
on the right	<b>FB175 DD 0R</b>	<b>FB295 DD 0R</b>

**Idler modules:**



**FB175 DD 0R**

**FB295 DD 0L**



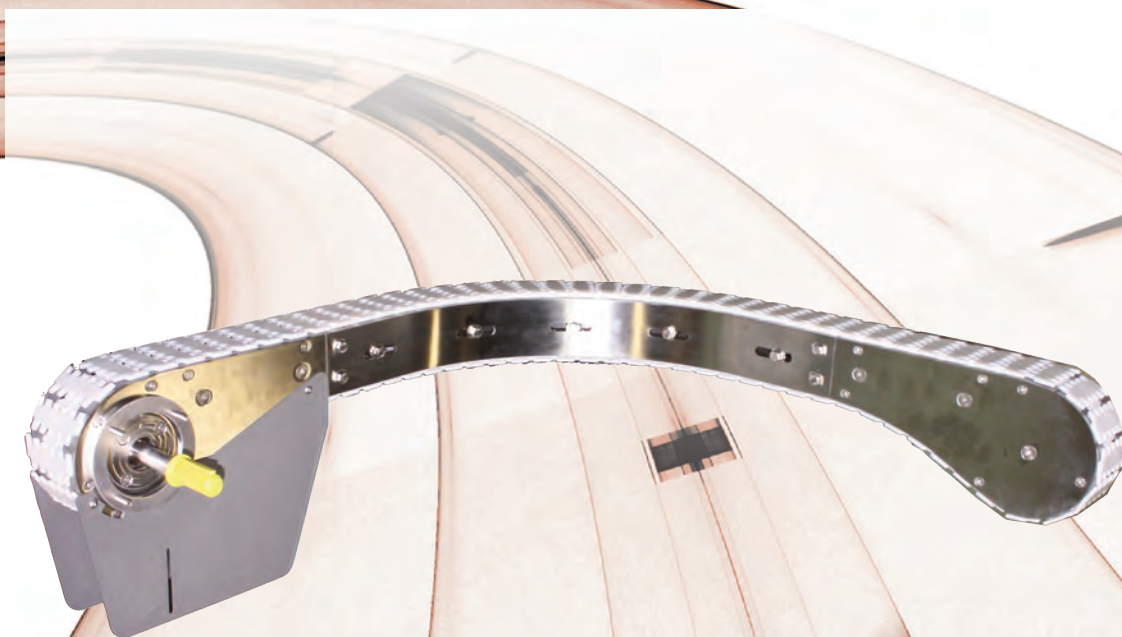
**FB175 IE 325**

**FB295 IE 325**



# Stainless steel modular conveyors

Flexinox



Flexmove

Flexinox

Flextoo

Robur

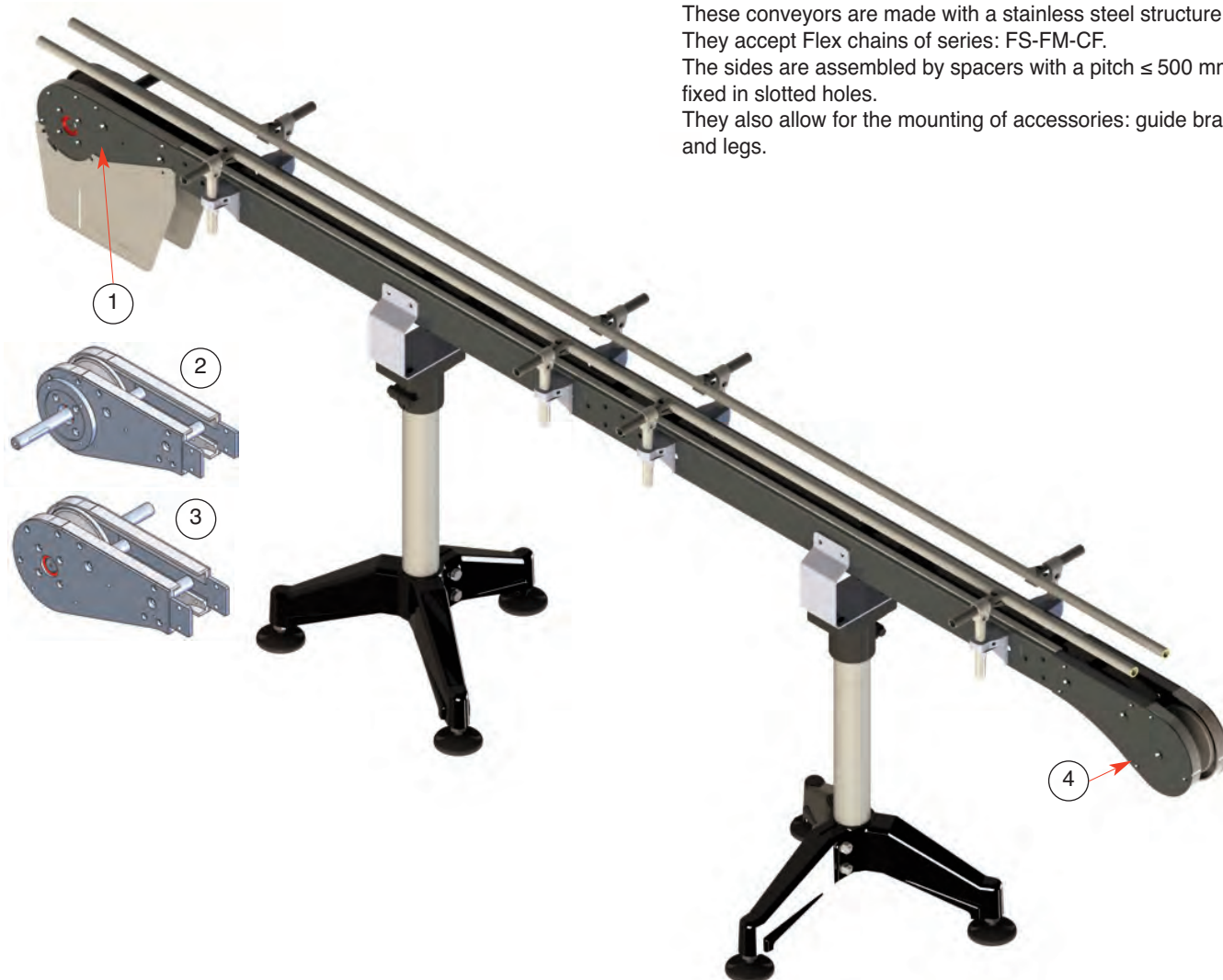
CAB

Guides

Legs

## FlexInox® modular conveyors Presentation, end modules

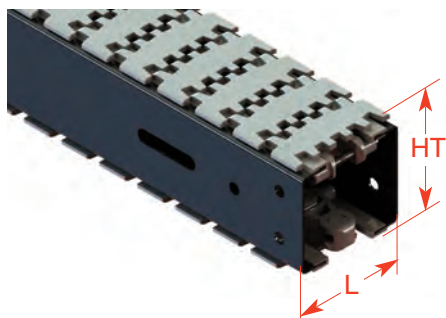
These conveyors are made with a stainless steel structure,  
They accept Flex chains of series: FS-FM-CF.  
The sides are assembled by spacers with a pitch  $\leq 500$  mm  
fixed in slotted holes.  
They also allow for the mounting of accessories: guide brackets  
and legs.



	Range	SS	SM	SC
Width		65	85	105
Chains		FS series	FM series	FC series
Chain pitch		25.4	33.5	35.5
Slip profile		FASR-25...		
Rivets		FASLS-M5		
Modules	Item	references		
Drive module, shaft on the left		<b>SSDD 0L</b>	<b>SMDD 0L</b>	<b>SCDD 0L</b>
Drive module, shaft on the right	1	<b>SSDD 0R</b>	<b>SMDD 0R</b>	<b>SCDD 0R</b>
Drive module, shaft on the left without slack strand	2	<b>SSDD GP 0L</b>	<b>SMDD GP 0L</b>	<b>SCDD GP 0L</b>
Drive module, shaft on the right without slack strand	3	<b>SSDD GP 0R</b>	<b>SMDD GP 0R</b>	<b>SCDD GP 0R</b>
Direct intermediate drive, shaft on the left		<b>SSID DD 0L</b>	<b>SMID DD 0L</b>	<b>SCID DD 0L</b>
Direct intermediate drive, shaft on the right		<b>SSID DD 0R</b>	<b>SMID DD 0R</b>	<b>SCID DD 0R</b>
Idler module	4	<b>SSIE 320</b>	<b>SMIE 320</b>	<b>SCIE 325</b>
Roller transfer kit		<b>SSTB 65</b>	<b>SMTB 85</b>	<b>SCTB 105</b>
Plate transfer kit		<b>SSTB 65P</b>	<b>SMTB 85P</b>	<b>SCTB 105P</b>

### Straight beams

Creations to order, up to 2 m long

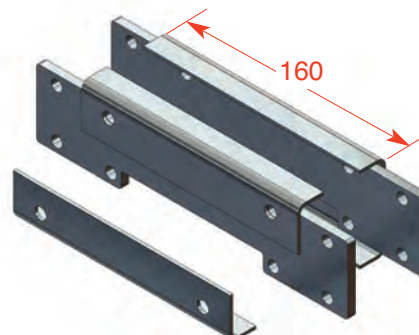


Range	SS	SM	SC
Beam reference	<b>SSCB</b>	<b>SMCB</b>	<b>SCCB</b>
Width L	65	85	105
Beam height H	63	74	74
Height HT chain included	73	84	85

### Intervention modules

length 160 mm

This module facilitates connection of the chain.



Range	SS	SM	SC
Intervention module reference	<b>SSCC 160</b>	<b>SMCC 160</b>	<b>SCCC 160</b>



### Curves with wheels:

These modules provide friction-free chain guiding. The wheels are made from fibre glass reinforced nylon and are held by double sealed ball bearings ensuring durability and minimum friction.

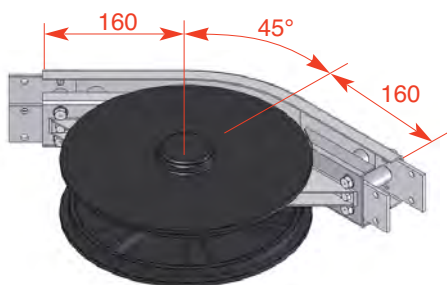
Average curve radius: see table below. Straight parts 160 mm

Linking fish plates SACS-50x75 are delivered with each module.

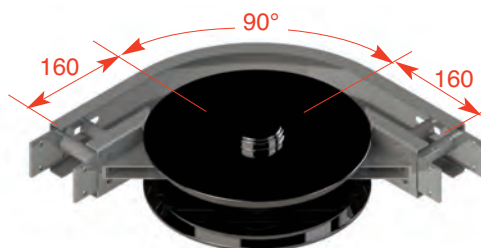
Creation of any curve with wheel from 5 to 180° to order, tolerance on the angle  $\pm 1^\circ$

Series	SS	SM	SC
R mean radius	150	160	170
Angle	Reference	Reference	Reference
30°	<b>SSWB 30 R 150</b>	<b>SMWB 30 R 160</b>	<b>SCWB 30 R 170</b>
45°	<b>SSWB 45 R 150</b>	<b>SMWB 45 R 160</b>	<b>SCWB 45 R 170</b>
60°	<b>SSWB 60 R 150</b>	<b>SMWB 60 R 160</b>	<b>SCWB 60 R 170</b>
90°	<b>SSWB 90 R 150</b>	<b>SMWB 90 R 160</b>	<b>SCWB 90 R 170</b>
180°	<b>SSWB 180 R 150</b>	<b>SMWB 180 R 160</b>	<b>SCWB 180 R 170</b>

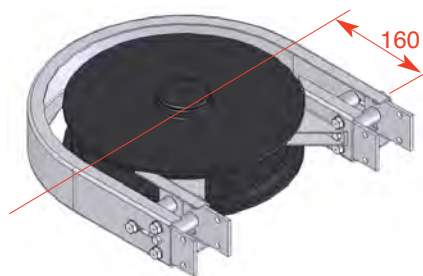
Curve with wheels, 45° S...WB-45R...



Curve with wheels, 90° S...WB-90R...



Curve with wheels, 180° S...WB-180R



### Vertical curves on slip rails:

Vertical curves enable a change in slope of the conveyors.

As all the curves on slip rails, they generate additional friction.

These stainless steel curves accept the slip profiles in continuity of the upstream and downstream modules.



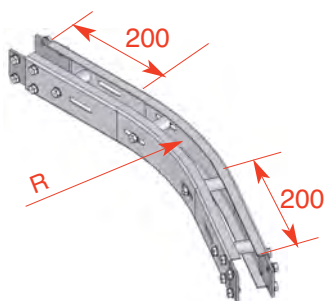
Series	SS	SM	SC
Angle	Reference	Reference	Reference
5°	<b>SSVB 5R300</b>	<b>SMVB 5R400</b>	<b>SCVB 5R400</b>
10°	<b>SSVB 10R300</b>	<b>SMVB 10R400</b>	<b>SCVB 10R400</b>
15°	<b>SSVB 15R300</b>	<b>SMVB 15R400</b>	<b>SCVB 15R400</b>
30°	<b>SSVB 30R300</b>	<b>SMVB 30R400</b>	<b>SCVB 30R400</b>



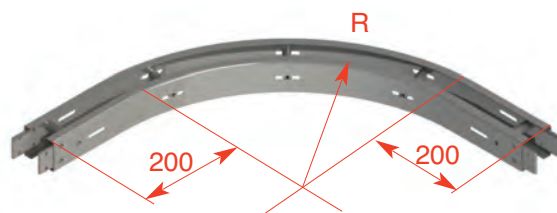
These modules are made by bending of 2 stainless steel half-profile sections with spacers. They allow reduced volume thanks to the absence of rotating plates, but create additional friction. We recommend a verification of the tensile forces applied to the chain (our Design Office is at your disposal). Standard mean radii of the curve: 500 and 700 mm (and 300mm for SM series). Straight parts 200 mm. Linking fish plates included in each module.  
Tolerance +/- 10 mm for the radius and +/- 1° for the angle.  
Other angles and other radii can be produced to order.

Series	SS	SM	SC
Mean radius R	300		
Angle	Reference	Reference	Reference
7.5°		<b>SMHB 7.5 R 300</b>	
15°		<b>SMHB 15 R 300</b>	
30°		<b>SMHB 30 R 300</b>	
45°		<b>SMHB 45 R 300</b>	
60°		<b>SMHB 60 R 300</b>	
90°		<b>SMHB 90 R 300</b>	
Mean radius R	500		
Angle	Reference	Reference	Reference
7.5°	<b>SSHB 7.5 R 500</b>	<b>SMHB 7.5 R 500</b>	<b>SCHB 7.5 R 500</b>
15°	<b>SSHB 15 R 500</b>	<b>SMHB 15 R 500</b>	<b>SCHB 15 R 500</b>
30°	<b>SSHB 30 R 500</b>	<b>SMHB 30 R 500</b>	<b>SCHB 30 R 500</b>
45°	<b>SSHB 45 R 500</b>	<b>SMHB 45 R 500</b>	<b>SCHB 45 R 500</b>
60°	<b>SSHB 60 R 500</b>	<b>SMHB 60 R 500</b>	<b>SCHB 60 R 500</b>
90°	<b>SSHB 90 R 500</b>	<b>SMHB 90 R 500</b>	<b>SCHB 90 R 500</b>
Mean radius R	700		
Angle	Reference	Reference	Reference
7.5°	<b>SSHB 7.5 R 700</b>	<b>SMHB 7.5 R 700</b>	<b>SCHB 7.5 R 700</b>
15°	<b>SSHB 15 R 700</b>	<b>SMHB 15 R 700</b>	<b>SCHB 15 R 700</b>
30°	<b>SSHB 30 R 700</b>	<b>SMHB 30 R 700</b>	<b>SCHB 30 R 700</b>
45°	<b>SSHB 45 R 700</b>	<b>SMHB 45 R 700</b>	<b>SCHB 45 R 700</b>
60°	<b>SSHB 60 R 700</b>	<b>SMHB 60 R 700</b>	<b>SCHB 60 R 700</b>
90°	<b>SSHB 90 R 700</b>	<b>SMHB 90 R 700</b>	<b>SCHB 90 R 700</b>

Curve on slip rails, 30° S...HB-30R..



Curve on slip rails, 90° S...HB-90R...





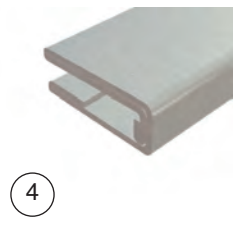
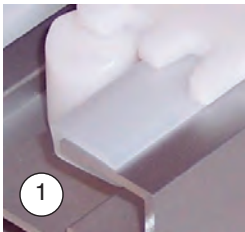
Conveyor reference	Chain width	Conveyor width	Mean radius of curves	L	A min	B min	C min	D min (5)	D (6)
F45	43	45	150	140	235	380	235	380	300
FK	44			610 (1)(2)	590 (2)	460	710 or 640 (1)	620	
FS	63	65		800	790	620	790	620	
SS				740	560 (3)	480	720	640	
FM	83	85	160	800	800	640	800	660	340
SM					690 (4)	500	730		
FC	103	105		170	810	810	660	810	
SC			1020			835	1020	420	
FL	150	155	210	810	835	1020	835	1020	420

Intervention modules, if any, can be added to the dimensions above:  
 Dimensions calculated with minimum size idler modules and curves with wheels.  
 Please consult our Design Office to validate these installations according to the application.

- (1) with drive module, length 250 mm.
- (2) with idler module, length 200 mm,
- (3) with special fish plating,
- (4) with idler module, length 280 mm,
- (5) with 2 curves of 90°, without chutes. (The chutes require longer straight sections).
- (6) with a single curve of 180°.

### Slip profiles

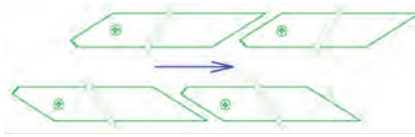
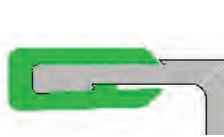
For series → reference ↘ Material ↓	F45	FK	FS, FM, FC, FL	CM FB 175 FB 295	Figure	Maximum temperature of the profile section	Applications	Packaging
White HDPE		FASR 25K	FASR 25U	CMSR 25	1	60° C	Standard	roll of 25 m
				CMSR 25B	2		load++	
				CMSR 3	3		Integral guide	3m bar
PA6 + grey HDPE	F45SR 25H	FASR 25KH	FASR 25H	CMSR 25H	1	100° C		roll of 25 m
Black anti-static UHMW PE		FASR 25KA	FASR 25A	CMSR 25A		60° C		
White PVDF		FASR 25KP	FASR 25P	CMSR 25P		100° C	Chemical	
PTFE (Teflon®)			FASR 1.2 T			220° C		1.2 m bar
Stainless steel			FASR 3X			4	300°C	Abrasion



### Installation recommendations for slip profile:

(See fitting instructions and sketches below).

- Provide 1 or 2 rivets or 1 or 2 plastic screws at the same slip band leading end.
- Do not exceed a unit length of the profile of 3m and allow sufficient clearance for expansion: 0.2mm/m<sup>°</sup>)



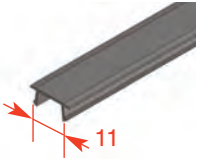
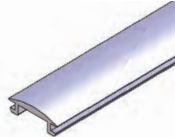
### PCPE

Cutting pliers for PE profiles with maximum section of 30x10 or 20x12



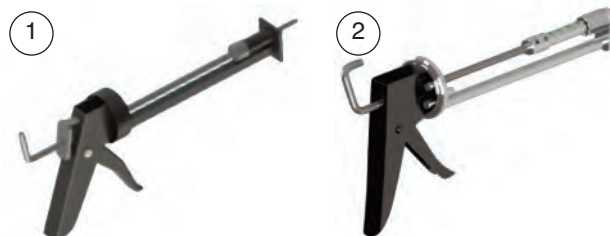
Conveyors	Installation tool for slip rail profile	Drilling Templates	Aluminium rivets Smooth bore	Fitting pliers	Installation screw press for smooth rivets	Plastic grub screw, length 6mm
F45		GAB F45	ALU. RIVET 3X6.5 Ø3 L6.5		D3 F45 PRESS	
FK	FSMR 140	GAB FK		SERT D3	D3 PRESS	PAST M4x6
FS, SS		GAB FM	ALU. RIVET 4X6.5 Ø4 L6.5	SERT D4	D4 PRESS	PAST M5x6
FM, SM	FMMR 140					
FC, FL, SC	FCMR 200					
CM, FB175, FB295	FBMR 170		ALU. RIVET 4X8			PAST M5x8

### Groove cover

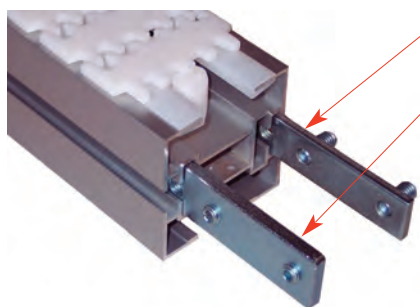
Groove cover reference	<b>FAAC 3P</b> Rigid PVC, in 3 m bars <b>FAAC 2</b> Aluminium in 2m bars	<b>FASC 25</b> Flexible PVC, in 25 m rolls
For profile section	<b>FBSB...</b> (Except FBSB-40x40), <b>TC44, TC44-88, TC88</b>	<b>TC64, KPS, SPS, MPS, CPS, FLCB</b>
		

### Tools for inserting chain pins

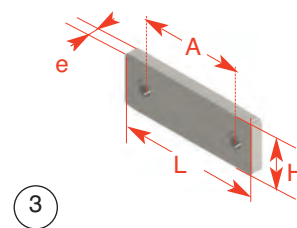
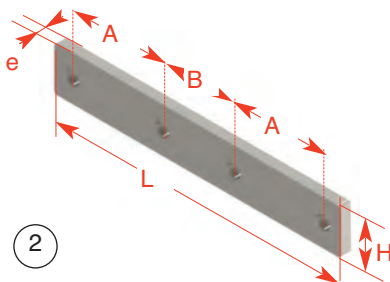
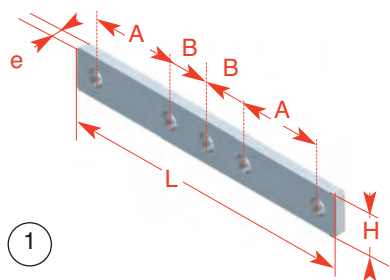
For series	FK FS SS	FM SM	FC FL SC	CM FB 175 FB 295
Reference	<b>FSMJ 4</b>	<b>FMMJ 6</b>	<b>FCMJ 6</b>	<b>FBMJ 6P</b>
Figure	1			2



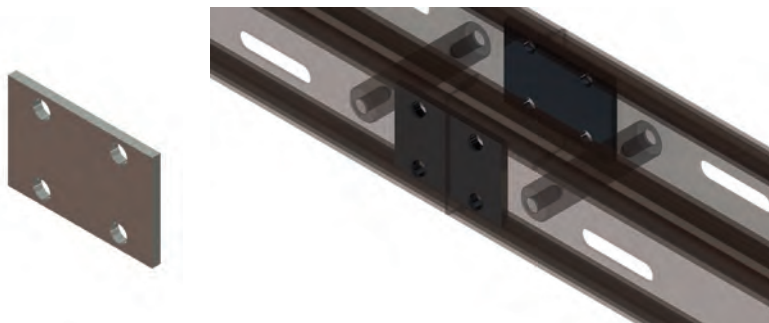
### Zinc plated steel fish plates HC screws included except (\*)



For	Reference	figure	e	H	L	A	B	ØM
FK, (FS, FM, FC, FL; Flextoo), FxDT chute	<b>FACS 20x140</b>	1	4	20	140	40	20	5
	<b>FACS 20x140A</b>	2	5	20	140	35	35	
FS, FM, FC, FL; Flextoo FBCD cable raceways CM, FB 175; FB 295	<b>FACS 25x140A</b>	1	6	25	140	40	20	8
	<b>FACS 20x130A</b>	2	6	19	130	35	40	
	<b>FACS 25x160</b>	2	6	25	160	50	40	
	<b>FACS 25x70</b>	3	6	25	70	40		
	<b>FBCS 19x50 (*)</b>	3	4,5	19	50	28		
	<b>FBCS 20x55 (*)</b>	3	4,3	20	55	35		
AC2A8, AT30; FGLB, FGLR, FGRR 3x20x12	<b>FBCS 13x50</b>	3	6	13	50	30		



### SACS 50x75 fish plates for Flexinox (2P necessary for one fish plating)

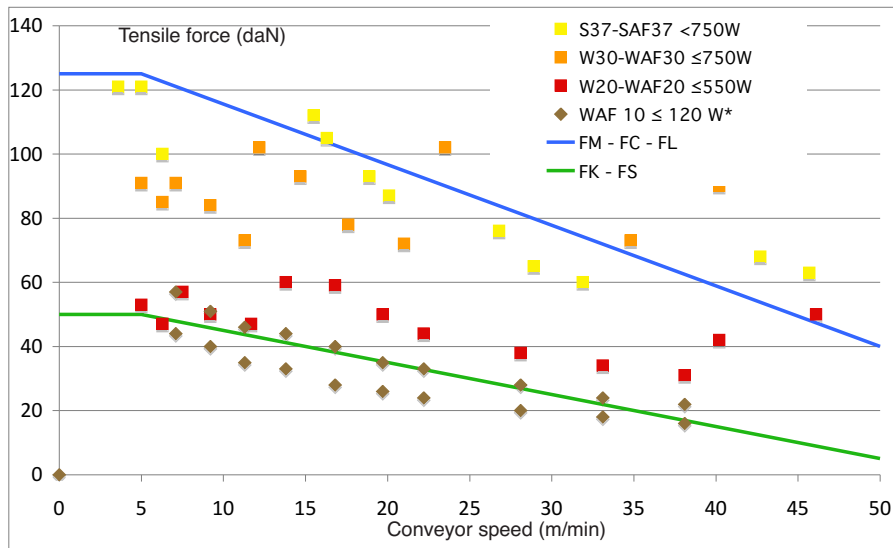




### Modules with direct drive:

The modules with lengths of 320-325 mm receive as standard WAF20, WAF30 & FAS 37 (hollow shaft) gear motors with flange Ø120. The FAS 37 gear motor requires an additional support leg.

\* FK and FS modules of length 250 mm receive as standard WAF10 (hollow shaft) gear motors with flange Ø 80.



### Modules with transmission:

They are designed as standard for W30 or S37 (protruding shaft) gear motors. The S37 gear motor requires an additional support leg.

Chain transmissions contain a torque limiter.

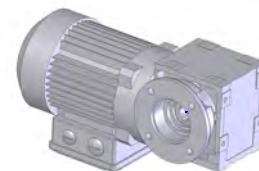
The forces applied to the chain must be monitored, either by checking the motor current, or by precise adjustment of the torque limiters. For the calculation of forces and for other motor versions, do not hesitate to consult our design office.

### Intermediate drive modules or curves with sprockets

(F...ID and F...WD):

Maximum tensile forces are limited to **20 daN**.

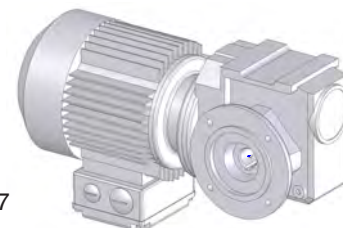
Achievable speeds: Consult our Design Office



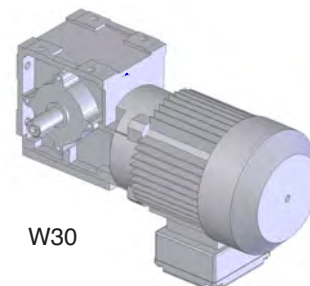
WAF20



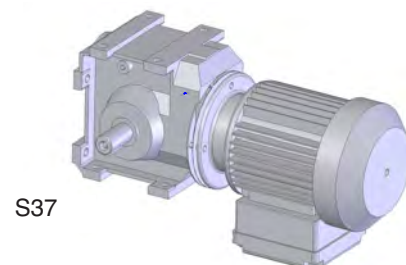
WAF30



SAF37



W30



S37

© WAF10, WAF20, W20, WAF30, W30, FAS37 and S37 types are SEW USOCOME products

Flexmove

Flexinox

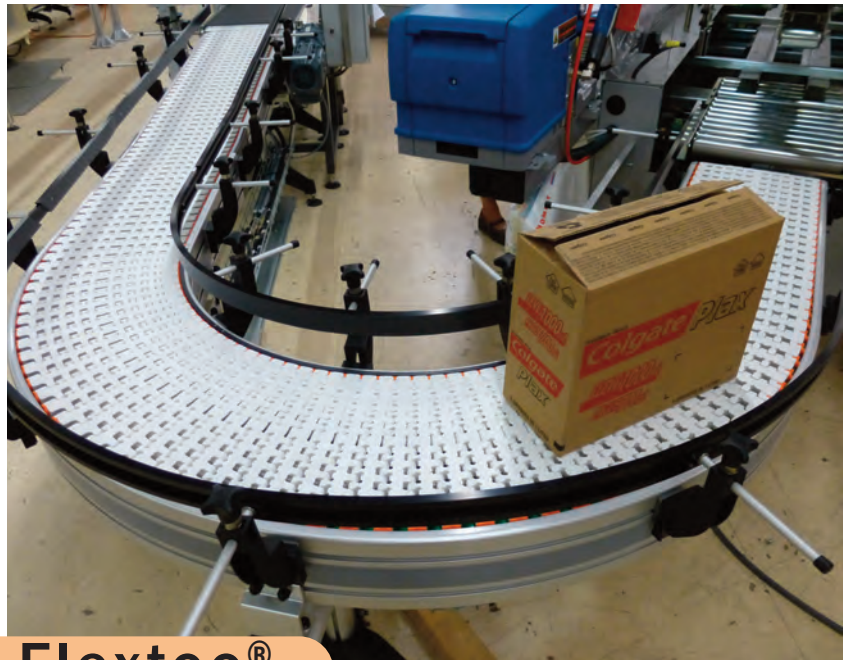
Flextoo

Robur

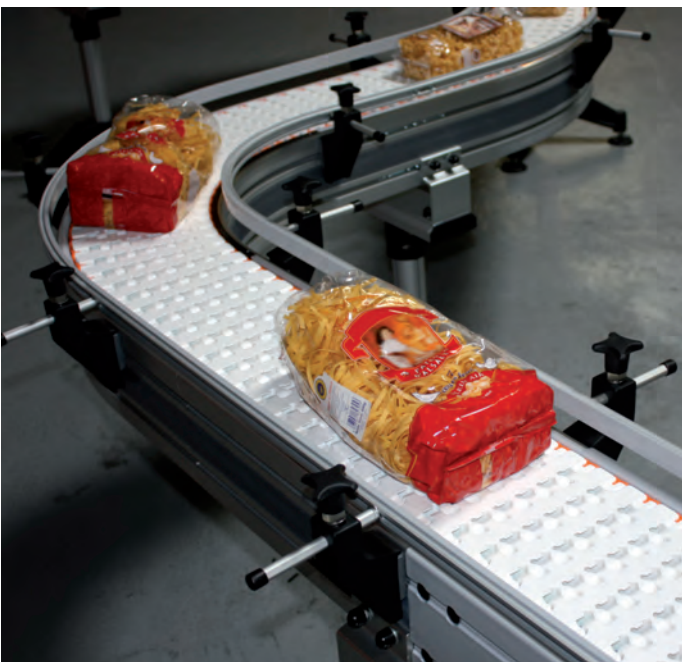
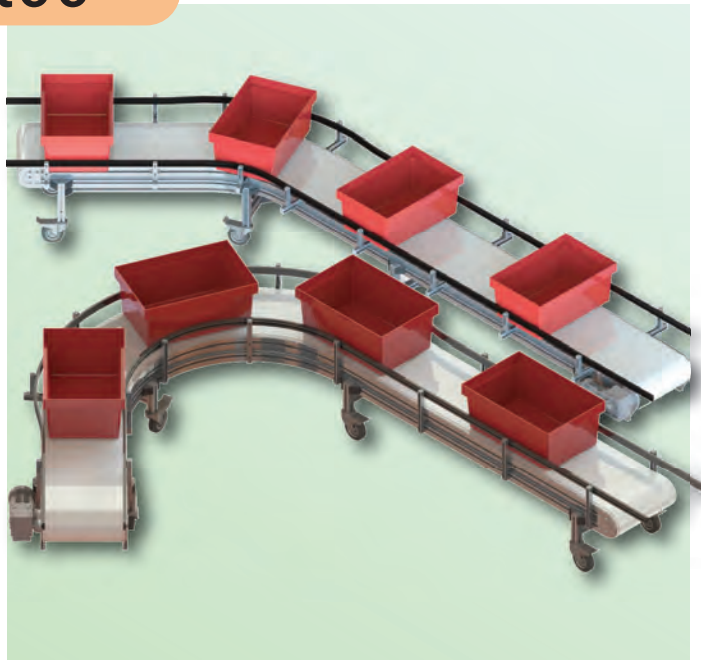
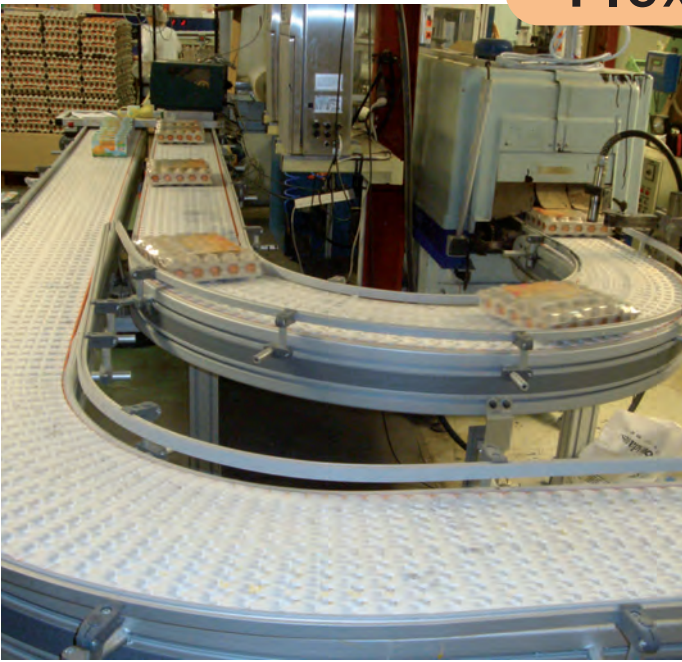
CAB

Guides

Legs



**Flextoo®**





# Aluminium modular conveyors

**Flextoo®**



Flexmove

Flexinox

Flextoo

Robur

CAB

Guides

Legs

### Tough and silent for conveying cartons & bulky products.

Flextoo is available in 5 widths:

227, 342, 418, 494, 647 mm

- Modularity.
- Robust structure and a very resistant belt permit complex and compact geometries.
- Silent.
- Optimum staff safety.
- Motorized transfers,
- Quick and easy maintenance



Designed for your installation requirements, FlexToo® conveyors are assembled and tested in our workshops.



The many accessories (legs, guides, mountings, etc.) are common to all of our ranges and fit in the 2 lateral grooves.

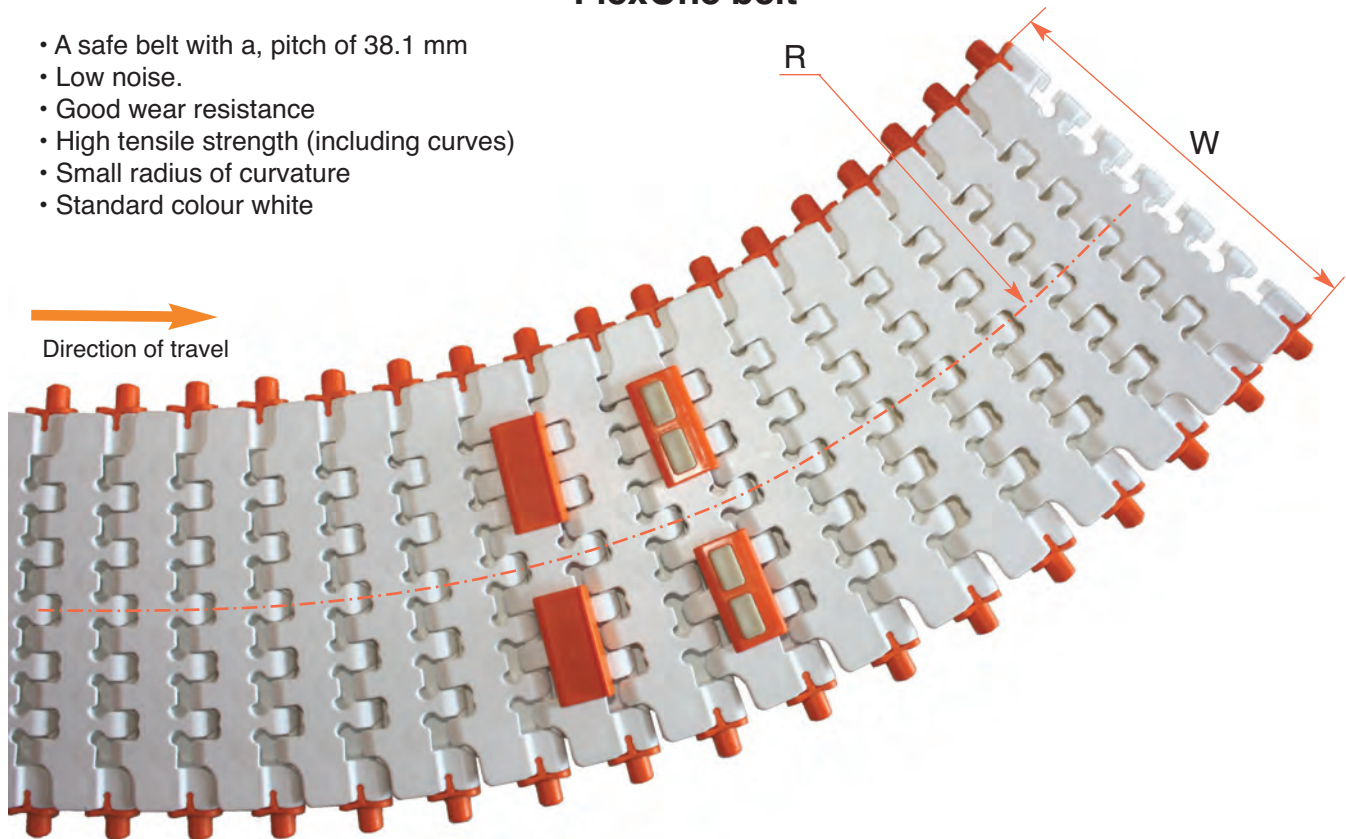


Cable raceways integral to the conveyor.



### FlexOne belt

- A safe belt with a pitch of 38.1 mm
- Low noise.
- Good wear resistance
- High tensile strength (including curves)
- Small radius of curvature
- Standard colour white



### Belt options

Blue colour to order



Flocked velvet belt



### Additional equipment for the belt

F2 1200 links (width 304.8 mm)  
with integral stop,  
height 25.4 - width 273 mm



**FONE-BUTH10** stops (50x25 Ht 10)  
snap-on on the belt



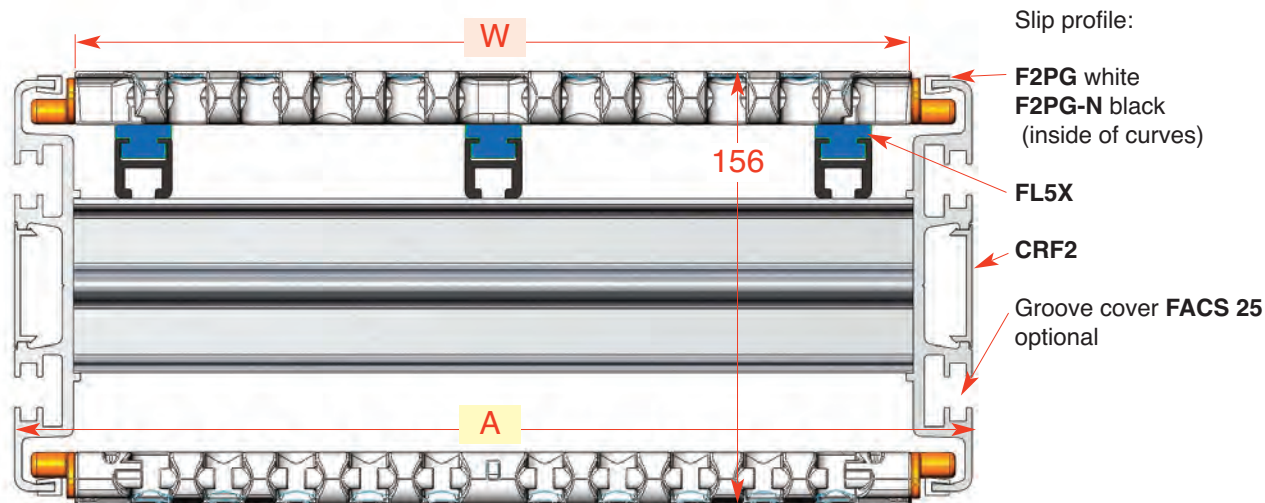
**FONE-INSERT** anti-slip inserts  
(50x25 th. 5.5) snap-on on the belt



The extruded UHMW PE sliding profile clips on the aluminium sides, providing excellent continuity of the slip rail on the conveyor.

Possibility of stops or special lugs to order.

### Sectional view



Conveyor reference	Belt, width W	maximum tensile force*	Conveyor, width A	Number of support profiles	Mean radius of curves R
<b>F2 750</b>	190.5	2000 N	227	2	400
<b>F2 1200</b>	304.8	3400 N	342	3	640
<b>F2 1500</b>	381	3500 N	418	3	800
<b>F2 1800</b>	457.2	3600 N	494	3	930
<b>F2 2400</b>	609.6	3800 N	647	4	1180

\* with slip profile made from special material in the inside of the curves.  
 See table at the end of the chapter for the allowable tensile force according to the speed of the belt.

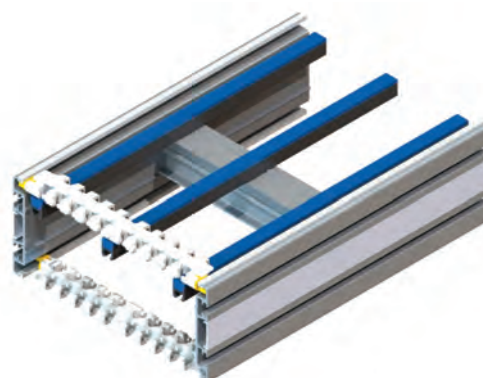
Drilling Templates	Aluminum rivets Smooth bore	Installation screw press for smooth rivets	Plastic grub screw, length 6mm:
<b>GAB F2</b>	<b>ALU. RIVET 3X6.5 Ø3 L6.5</b>	<b>D3-F2 PRESS</b>	<b>PAST M4x6</b>
			

### Straight modules

**F2-xxxx-D...**

(standard length 3m, others to order)

Conveyor reference	Example of a Reference module length 3m
F2 750	<b>F2 750 D3000</b>
F2 1200	<b>F2 1200 D3000</b>
F2 1500	<b>F2 1500 D3000</b>
F2 1800	<b>F2 1800 D3000</b>
F2 2400	<b>F2 2400 D3000</b>



FACS-25x140A connecting fish plates not included



### Horizontal curved modules

multiple angles of 15°, (others to order)

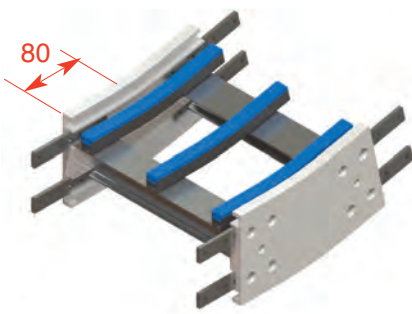


Conveyor reference	Ex. of reference of a curve, 90°	Mean radius
F2 750	<b>F2 750 C400/90</b>	400
F2 1200	<b>F2 1200 C640/90</b>	640
F2 1500	<b>F2 1500 C800/90</b>	800
F2 1800	<b>F2 1800 C930/90</b>	960
F2 2400	<b>F2 2400 C1180/90</b>	1180

Connecting fish plates FACS-25x140A included

### Vertical curved modules

mean radius 500 mm (angles to order)



Conveyor reference	E.g. of the reference of a curve, 5°
F2 750	<b>F2 750 CV 500 5</b>
F2 1200	<b>F2 1200 CV 500-5</b>
F2 1500	<b>F2 1500 CV 500-5</b>
F2 1800	<b>F2 1800 CV 500-5</b>
F2 2400	<b>F2 2400 CV 500-5</b>

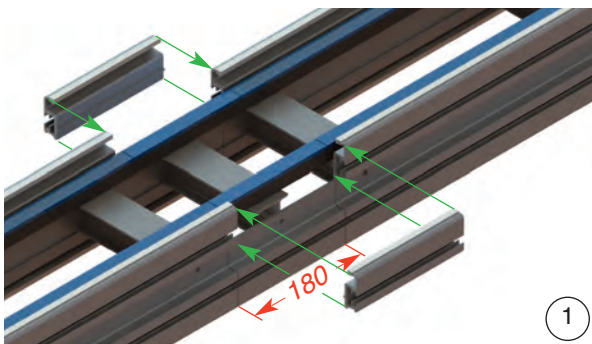
FACS-25x140A fish plates included

### Intervention modules

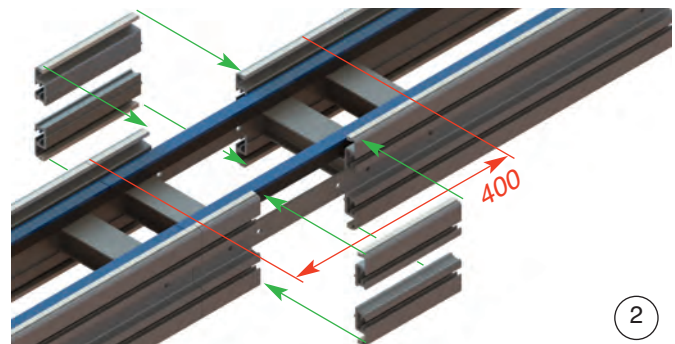
The F2-xxx-CC-180 module includes 1 removable area (above or below) allowing connection of the belt.  
The F2-xxx-2CC-400 module contains 2 removable areas (above and below) to be split for the delivery of a long conveyor while leaving the belt in place.  
The belt support profiles are extended from the upstream and downstream modules.

Reference conveyor	Intervention module reference	
	single (Figure 1)	double (Figure 2)
F2 750	<b>F2 750 CC 180</b>	<b>F2 750 2CC 400</b>
F2 1200	<b>F2 1200 CC 180</b>	<b>F2 1200 2CC 400</b>
F2 1500	<b>F2 1500 CC 180</b>	<b>F2 1500 2CC 400</b>
F2 1800	<b>F2 1800 CC 180</b>	<b>F2 1800 2CC 400</b>
F2 2400	<b>F2 2400 CC 180</b>	<b>F2 2400 2CC 400</b>

FACS-25x140A connecting fish plates included

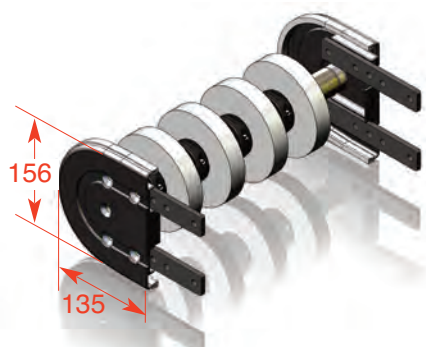


1



2

### Standard idler module

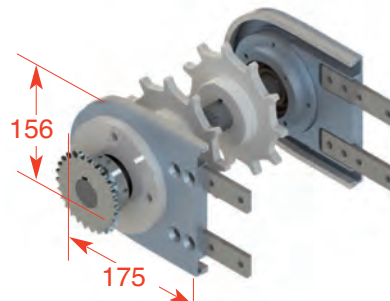


Reference conveyor	Reference idler module
F2 750	<b>F2 750 R</b>
F2 1200	<b>F2 1200 R</b>
F2 1500	<b>F2 1500 R</b>
F2 1800	<b>F2 1800 R</b>
F2 2400	<b>F2 2400 R</b>

FACS-25x140A connecting fish plates included

### Idler module with sprockets

- for motorised transfer at conveyor input
- for dusty conditions

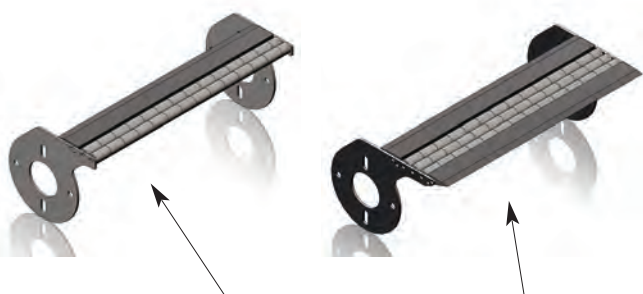


Reference conveyor	Reference idler module
F2 750	<b>F2 750 RP</b>
F2 1200	<b>F2 1200 RP</b>
F2 1500	<b>F2 1500 RP</b>
F2 1800	<b>F2 1800 RP</b>
F2 2400	<b>F2 2400 RP</b>

FACS-25x140A connecting fish plates included

### End transfer

(not compatible with lugs or anti-slips inserts)

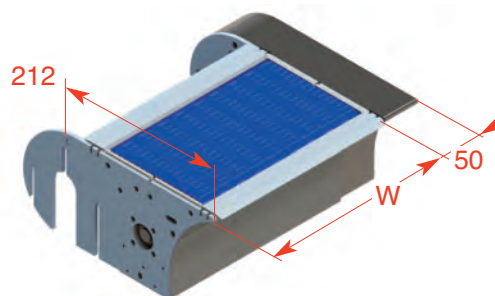


Conveyor reference	Reference of the transfer to be fixed to Idler or GP drive modules	
	at the start of the Flextoo	between Flextoos
F2 750	<b>F2 750 TG1R</b>	<b>F2 750 TG2R</b>
F2 1200	<b>F2 1200 TG1R</b>	<b>F2 1200 TG2R</b>
F2 1500	<b>F2 1500 TG1R</b>	<b>F2 1500 TG2R</b>
F2 1800	<b>F2 1800 TG1R</b>	<b>F2 1800 TG2R</b>
F2 2400	<b>F2 2400 TG1R</b>	<b>F2 2400 TG2R</b>

Conveyor reference	Transfer reference to be fixed to drive modules	
	at the end of the Flextoo	between Flextoos
F2 750	<b>F2 750 TG1M</b>	<b>F2 750 TG2M</b>
F2 1200	<b>F2 1200 TG1M</b>	<b>F2 1200 TG2M</b>
F2 1500	<b>F2 1500 TG1M</b>	<b>F2 1500 TG2M</b>
F2 1800	<b>F2 1800 TG1M</b>	<b>F2 1800 TG2M</b>
F2 2400	<b>F2 2400 TG1M</b>	<b>F2 2400 TG2M</b>

### Motorised transfer

For idler module ...-RP above or drive module (not compatible with lugs or anti-slips inserts)

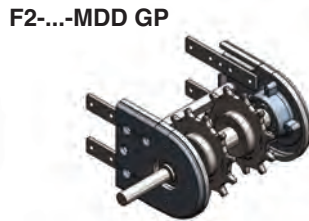
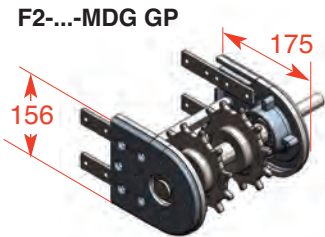
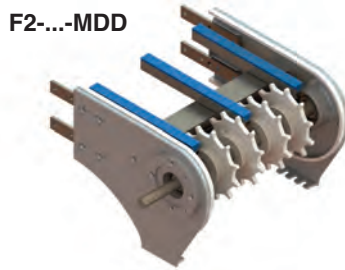
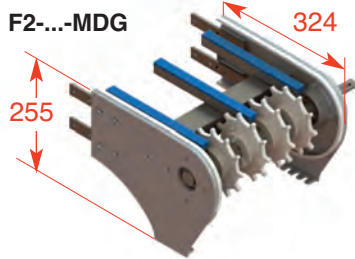


Conveyor reference	W	Transfer reference to be fixed to idler modules	
		transmission on the left	transmission on the right
F2 750	249	<b>F2 750 TMGR NTB</b>	<b>F2 750 TMDR NTB</b>
F2 1200	357	<b>F2 1200 TMGR NTB</b>	<b>F2 1200 TMDR NTB</b>
F2 1500	433	<b>F2 1500 TMGR NTB</b>	<b>F2 1500 TMDR NTB</b>
F2 1800	510	<b>F2 1800 TMGR NTB</b>	<b>F2 1800 TMDR NTB</b>
F2 2400		<b>F2 2400 TMGR NTB</b>	<b>F2 2400 TMDR NTB</b>

Conveyor reference	Transfer reference to be fixed to drive modules	
	on F2...MDD20	on F2...MDG20
F2 750	<b>F2 750 TMGM NTB</b>	<b>F2 750 TMDM NTB</b>
F2 1200	<b>F2 1200 TMGM NTB</b>	<b>F2 1200 TMDM NTB</b>
F2 1500	<b>F2 1500 TMGM NTB</b>	<b>F2 1500 TMDM NTB</b>
F2 1800	<b>F2 1800 TMGM NTB</b>	<b>F2 1800 TMDM NTB</b>
F2 2400	<b>F2 2400 TMGM NTB</b>	<b>F2 2400 TMDM NTB</b>



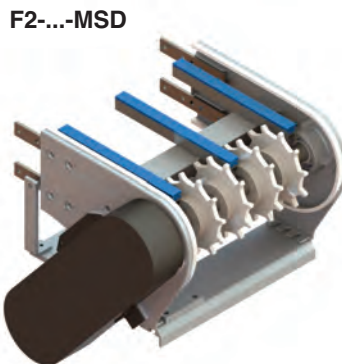
## Direct drive modules (flanged motors)



With slack strand L = 324 mm, shaft Ø20-25-30		
Reference conveyor	Reference motor on the left	Reference motor on the right
F2 750	F2 750 MDG...	F2 750 MDD...
F2 1200	F2 1200 MDG...	F2 1200 MDD...
F2 1500	F2 1500 MDG...	F2 1500 MDD...
F2 1800	F2 1800 MDG...	F2 1800 MDD...
F2 2400	F2 2400 MDG...	F2 2400 MDD...

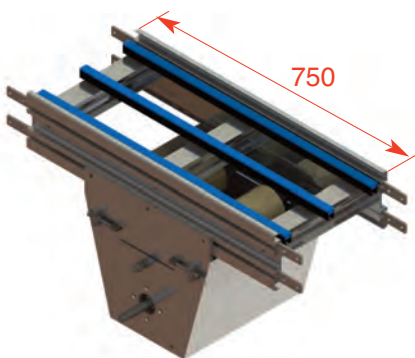
Ohne Leertrum L = 175 mm, Welle Ø20-25-30		
Reference conveyor	Reference motor on the left	Reference motor on the right
F2 750	F2 750 MDG GP	F2 750 MDD GP
F2 1200	F2 1200 MDG GP	F2 1200 MDD GP
F2 1500	F2 1500 MDG GP	F2 1500 MDD GP
F2 1800	F2 1800 MDG GP	F2 1800 MDD GP
F2 2400	F2 2400 MDG GP	F2 2400 MDD GP

## Drive modules with transmission (motors with protruding shaft)



Reference conveyor	Reference Transm. on the left	Reference Transm. on the right
F2 750	F2 750 MSG30	F2 750 MSD30
F2 1200	F2 1200 MSG30	F2 1200 MSD30
F2 1500	F2 1500 MSG30	F2 1500 MSD30
F2 1800	F2 1800 MSG30	F2 1800 MSD30
F2 2400	F2 2400 MSG30	F2 2400 MSD30

## Intermediate drive modules

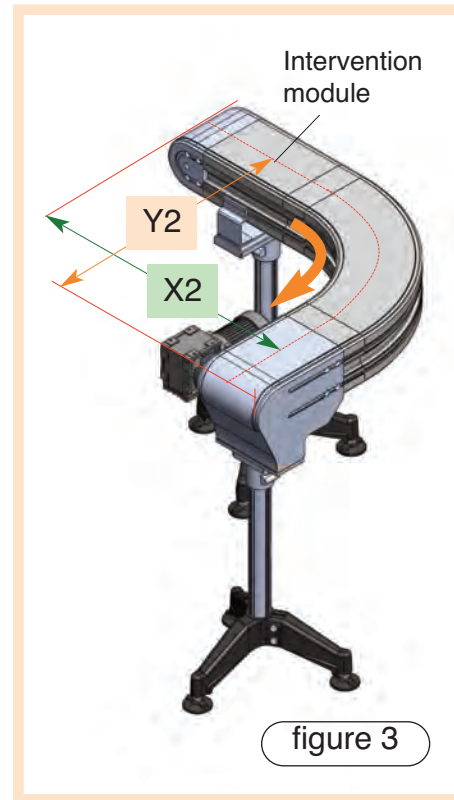
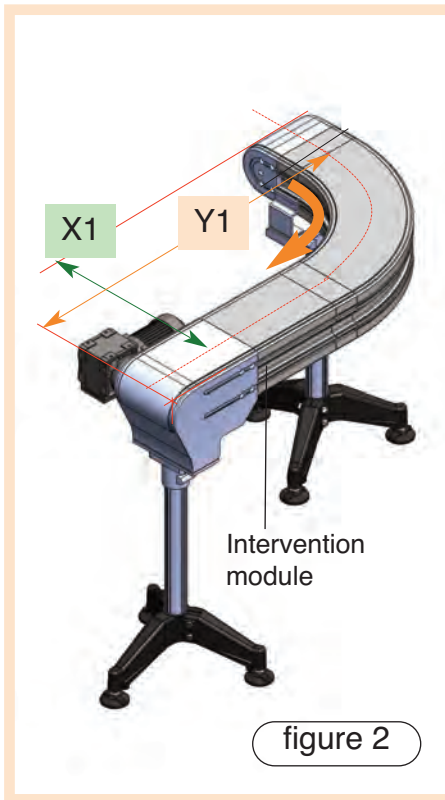
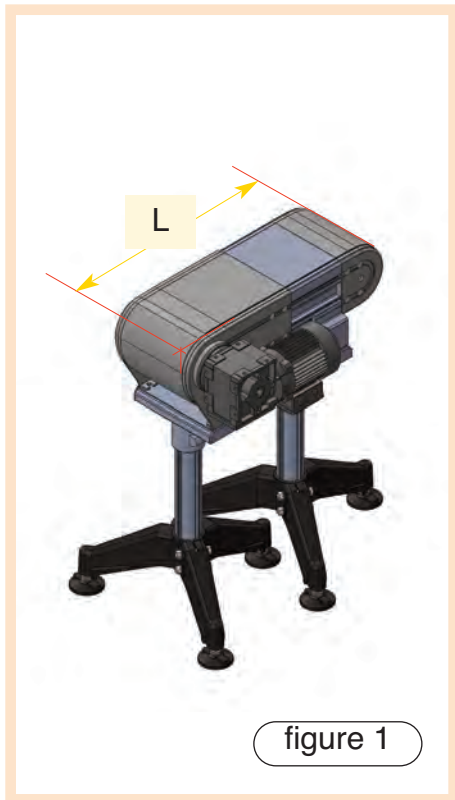


Symmetrical construction to position the motor on the preferred side.  
Both directions of operation are possible.

Conveyor reference	Module reference
F2 750	F2 750 MID20
F2 1200	F2 1200 MID20
F2 1500	F2 1500 MID20
F2 1800	F2 1800 MID20
F2 2400	F2 2400 MID20

Belt drive sprockets: 11 teeth, pitch 38.1 mm i.e. a ØP = 135.2 mm.  
FACS-25x140A connecting fish plates included in the modules on this page

### Minimum dimensions

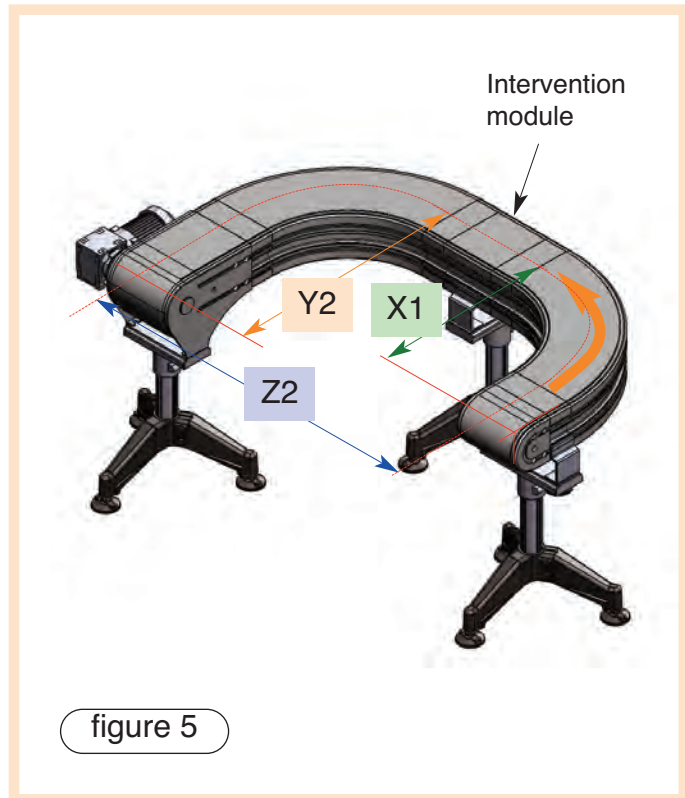
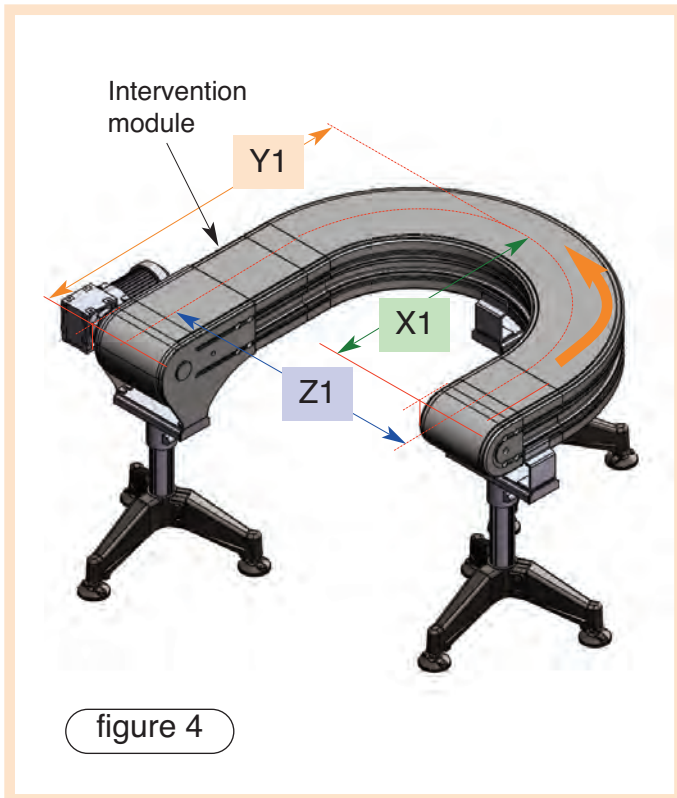


2 possibilities, depending on the position of the intervention module:  
 - between the curve and the drive module, dimensions X1 and Y1 (figure 2)  
 - between the idler module and the curve, dimensions X2 and Y2 (Figure 3).  
**Please consult our Design Office to validate these installations.**

Dimensions Y1 and Y2 are for drive modules without slack strands (... GP)

Conveyor reference	Belt width	Conveyor width	Mean radius of curves	L min	X1 min	Y1 min	X2 min	Y2 min
F2 750	190	227	400	490	666	830	790	666
F2 1200	304.8	342	640		1020	1070	1030	1020
F2 1500	381	418	800		1256	1256	1256	1256
F2 1800	457.2	494	930		1462	1462	1462	1462
F2 2400	609.6	647	1180		1865	1865	1865	1865

## FlexToo® conveyors Minimum dimensions with 2 curves of 90° in the same direction or 1 curve of 180°



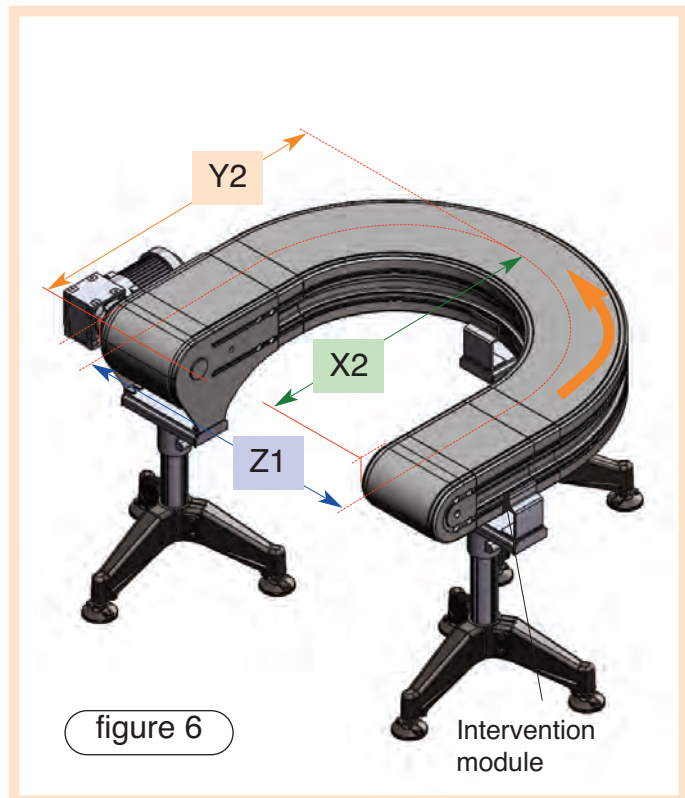
3 possibilities, depending on the position of the intervention module:

- between the curve and the drive module, dimensions X1, Y1 and Z1 (figure 4)
- between the 2 curves, dimensions X1, Y2, and Z2 (Figure 5)
- between the idler module and the 1st curve, dimensions X2 and Z1 (Figure 6).

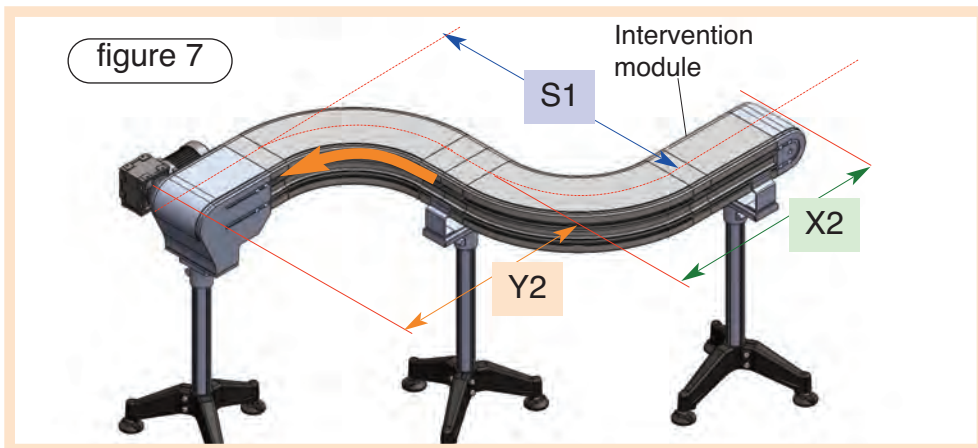
The dimensions X and Y appear on the previous page.

Consult our Design Office to validate these installations.

Conveyor reference	Z1 min	Z2 min
F2 750	800	1120
F2 1200	1280	1600
F2 1500	1600	1920
F2 1800	1860	2180
F2 2400	2360	2680





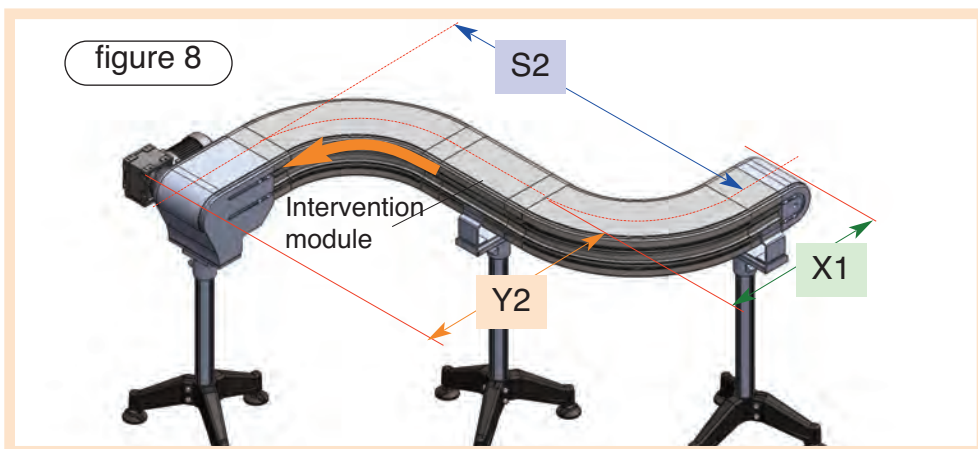


3 possibilities, depending on the position of the intervention module:

- between the idler module and the 1st curve dimensions X2, Y2, and S1 (Figure 7)

- between the 2 curves, dimensions X1, Y2, and S2 (Figure 8)

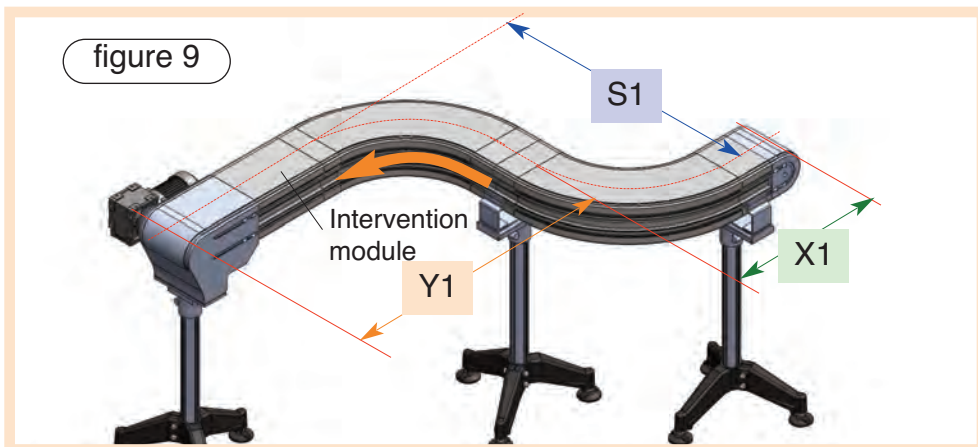
- between the 2nd curve and the drive module, dimensions X1, Y1 and S1 (figure 9)



Consult our Design Office to validate these installations.

Other combinations are possible; please do not hesitate to ask us.

Dimensions Y1 and Y2 are for drive modules without slack strands (... GP)



Conveyor reference	Belt width	Conveyor width	Average radius of curves	X1 min	Y1 min	X2 min	Y2 min	S1 min	S2 min
F2 750	190	227	400	666	830	790	666	991	1130
F2 1200	304.8	342	640	1020	1070	1030	1020	1585	1610
F2 1500	381	418	800	1256	1256	1256	1256	1981	1981
F2 1800	457.2	494	930	1462	1462	1462	1462	2317	2317
F2 2400	609.6	647	1180	1865	1865	1865	1865	2970	2970

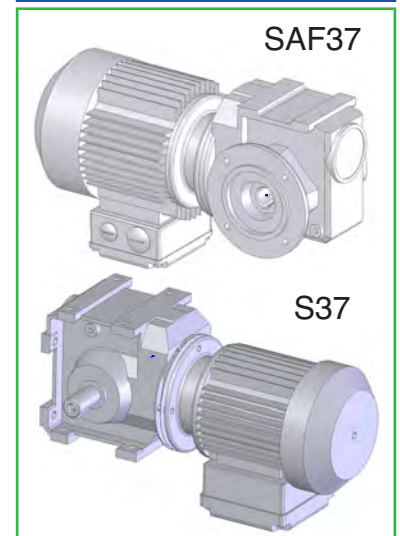
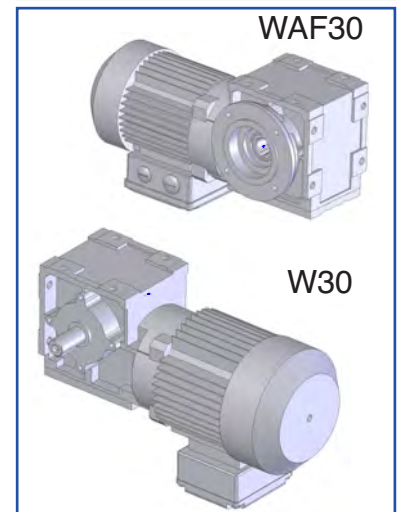
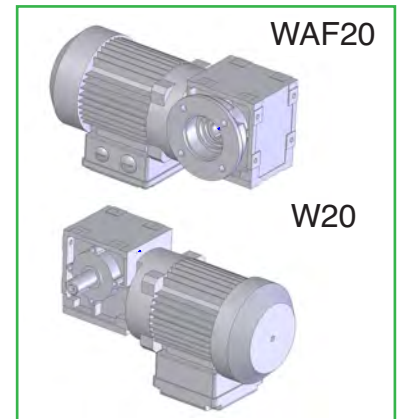
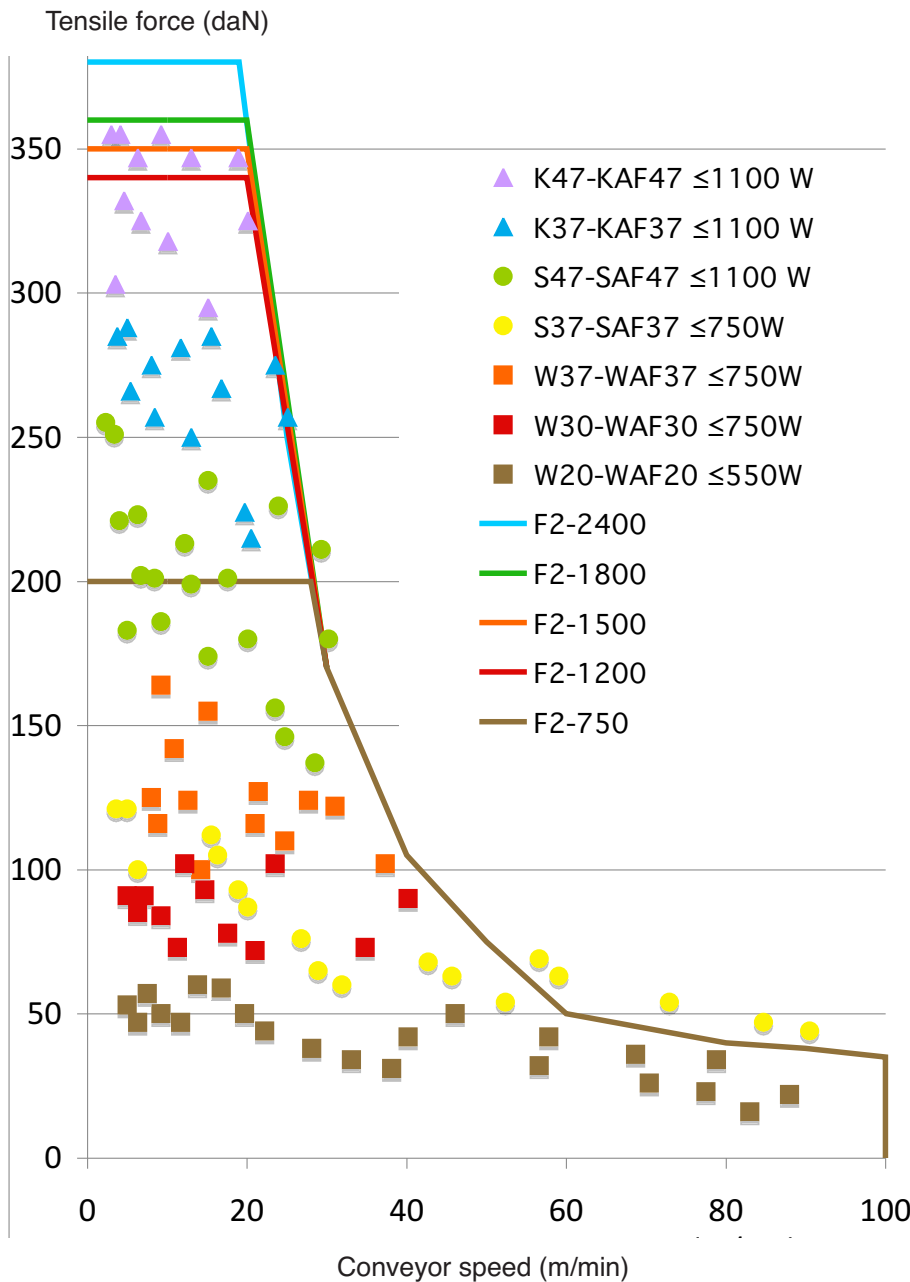


The modules with direct drive are provided as standard for the WAF, its (F), and Ka(F) gear motors (except width F2 750). SA(F) and Ka(F) gear motors require additional mountings.

Modules with transmission are provided as standard for W, S, and K gear motors.

The forces applied to the chain must be monitored, either by checking the motor current, or by precise adjustment of the torque limiters. For the calculation of forces and for other motor versions, do not hesitate to consult our design office. These references are the models produced by SEW USOCOME.

The values on the curve below are only valid for Flextoo conveyors.





Flexmove

Flexinox

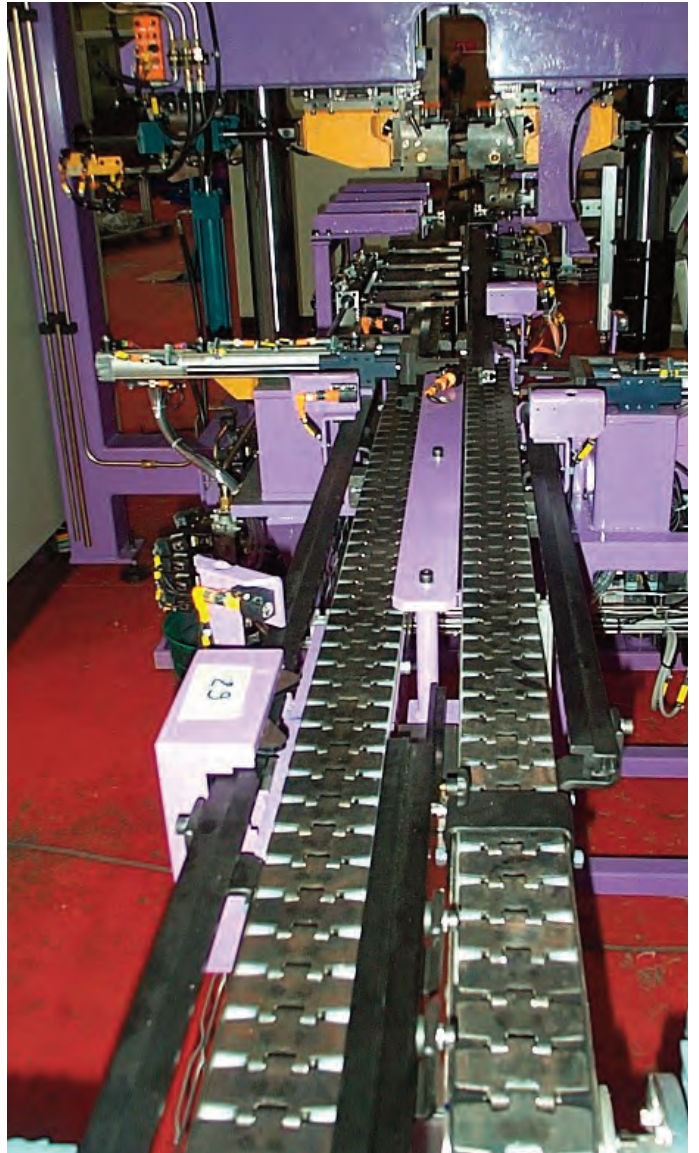
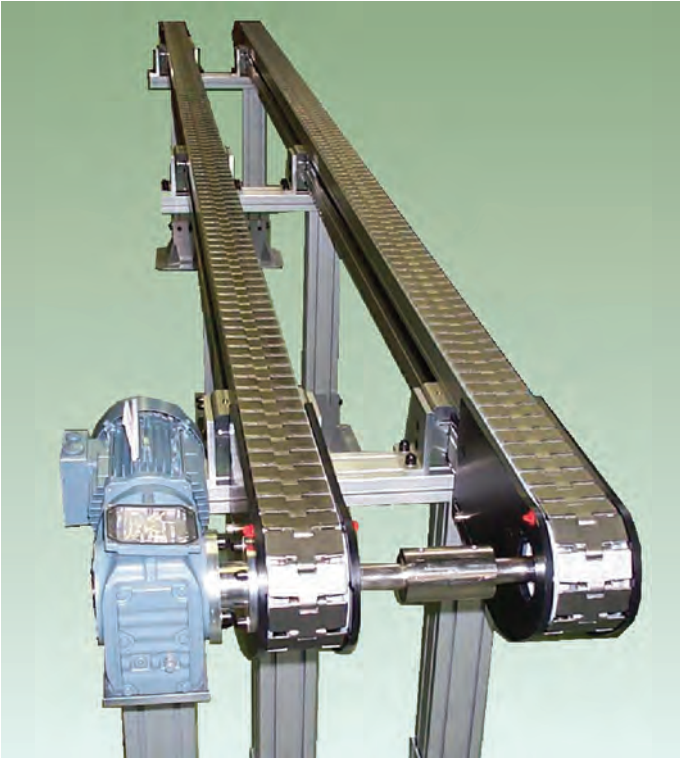
Flextoo

Robur

CAB

Guides

Legs





# Aluminium modular conveyors

**Robur®**



Flexmove

Flexinox

Flextoo

**Robur**

CAB



Guides

Legs



#### Standard chain, minimum curve radius 400 mm







Thicknesses: slat 4 mm, inserts +2 mm

					
	Width width L	<b>Acetal, lubricated* LF880TAB...</b>	<b>Acetal, black antistatic AS880TAB...</b>	Acetal white D880TAB...	acetal, lubricated with anti-slip inserts HFL880TAB...
Robur 1	63.5	...K250	...K250	...K250	...K250
Robur 2-2TB	82.5	...K325	...K325	...K325	...K325
Robur 3-3TB	114.3	...K450	...K450	...K450	...K450
Robur 4	190.5	...K750	...K750	...K750	...K750

#### Curved chain, minimum curve radius 200 mm



Necessary for modules with curves of 200 mm radius.

Thicknesses: slat 880 TAB 4 mm, 878 BO 4,8 mm; inserts +2 mm

									
	Chain width	<b>Lubricated acetal LF880TAB...</b>	<b>Black antistatic acetal AS880TAB...</b>	Acetal, white D880TAB...	Acetal, white D 879 SC Safety finger	Lubricated acetal LF878BO...	Lubricated acetal	Lubricated acetal + anti-slip ins. HFL880TAB...	Lubricated acetal + anti-slip ins. HFL878BO...
Robur 1	63.5	...K250 R	...K250 R	...K250 R				...K250 R	
Robur 2 & Robur 2TB	82.5	...K325 R	...K325 R	...K325 R	...K325 R	...K325 R	LF879- K325 R GRIP	...K325 R	...K325
Robur 3 & Robur 3TB	114.3	...K450 R	...K450 R	...K450 R		...K450 R		...K450 R	...K450

#### Straight chain (Only to order for straight conveyors)

Requires special sprockets and bottom guide profiles. Thicknesses: slat 4 mm; inserts +2 mm

					
	Chain width L	<b>Lubricated acetal LF820...</b>	<b>acetal, antistatic black AS820...</b>	Acetal, white D820...	Acetal, lubricated with anti-slip inserts HFL820...
Robur 1	63.5	...K250	...K250	...K250	...K250
Robur 2-2TB	82.5	...K325	...K325	...K325	...K325
Robur 3-3TB	114.3	...K450	...K450	...K450	...K450
Robur 4	190.5	...K750	...K750	...K750	...K750

Other materials to order (chemical, abrasion or temperature resistant).

Chains with anti-slip inserts: consult us.

## Robur Metal chains, pitch 38.1mm and adaptations

### Curved chain Option requiring special gears.

Slat thickness 3.15 mm.



Figure 1



Figure 2

	Chain width L	Stainless steel SS881TAB...	Steel S881TAB...	Average minimum radius of curves on slip rails	Figure
Robur 2-2TB	82.5	...K325	...K325	500	1
		...K325R	...K325R	200	2
Robur 3-3TB	114.3	...K450	...K450	500	1
Robur 4	190.5	...K750	...K750	500	1

### Straight chain

This chain is only available to order for straight conveyors.

**Requires special sprockets and bottom guide profiles.**

Slat thickness 3.15 mm.

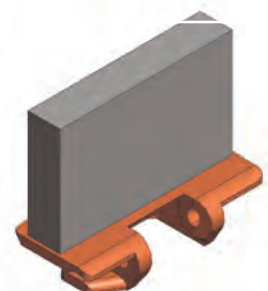
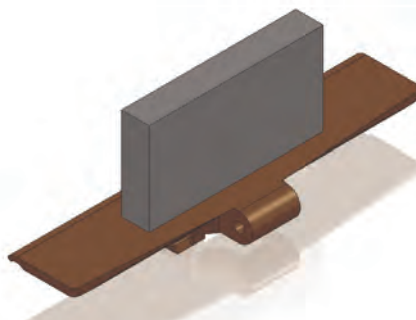


	Chain width L	Stainless steel SS812...	Steel S810...
Robur 1	63.5	...K250	...K250
Robur 2-2TB	82.5	...K325	...K325
Robur 3-3TB	114.3	...K450	...K450
Robur 4	190.5	...K750	...K750

### Lug chain

Addition of machined lugs to order, screwed through the slats of different chains.

Note: The safety of persons must be considered right from the design stage of conveyors fitted with lugs, because of the inevitable danger points between lugs and legs, lugs and lateral guides, lugs and housings, etc...



## Robur low height Structures, Straight modules

The "Robur low height" range offers 3 different widths (see below).

Chains: standard curved plastic, pitch 38.1 mm, to order straight metal, or straight plastic chains.

Anodized aluminium **profiles**.

The usual **mean radius** of curvature is 200 mm (on rotating plates) and 500 mm (on clip rails).

**Linking fish plates** included in the modules.

Fasteners M8 stainless steel.

The **side groove** can be closed by a flexible black cover reference 15 CN.

**Accessories:** Side bracket clamps or leg clamps clip over this groove cover.

Range	Robur 1	Robur 2 Low height	Robur 3 Low height
Monobloc straight modules: Production to order of any length $x$ from 200 to 3000 mm			
Ref.	<b>R1 D...x</b>	<b>R2TB D...x</b>	<b>R3TB D...x</b>
Beam	<b>R1 PS</b>	<b>R2TB PS</b>	<b>R3TB PS</b>
H	84 mm (Biflex chain) or 87 mm (straight chain)		
Open straight modules: Production to order of any length $x$ from 200 to 3000 mm			
	<p>× Not applicable</p>		
Ref.		<b>R2TB D<math>\times</math> OPEN</b>	<b>R3TB D<math>\times</math> OPEN</b>
Side		<b>R2TB FS</b>	<b>R3TB FS</b>



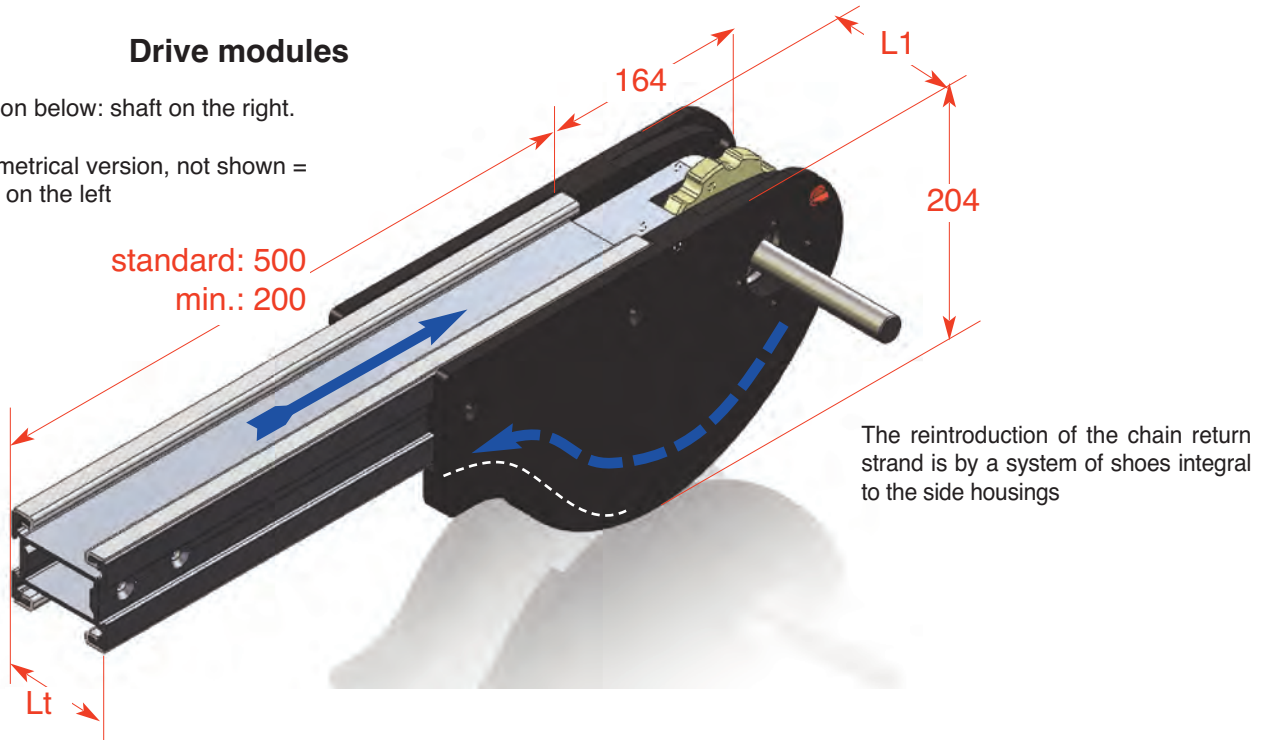
### End modules:

Their construction is based on a moulded aluminium yoke and uses of standard bearings.  
End modules include the corresponding housings. Gear motors and their connection flanges are sold separately (casings in black polyethylene th. 10 mm or to order, 30/10 stainless steel);  
9-tooth sprocket for plastic chains or 18 tooth for metal chains with primitive  $\varnothing$  111.4 mm

### Drive modules

Version below: shaft on the right.

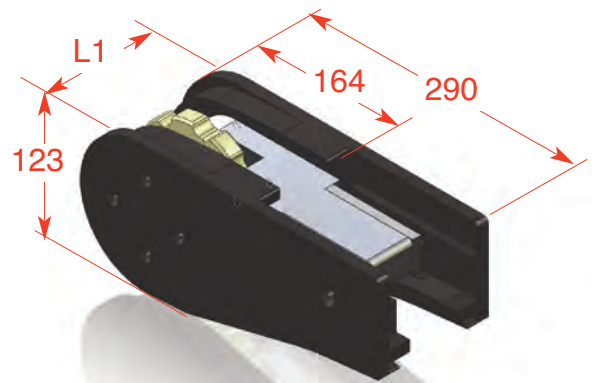
Symmetrical version, not shown =  
shaft on the left



Range	Robur 1	Robur 2 Low height	Robur 3 Low height
Lt (beam)	70	86	118
LC (chain)	63.5	82.5	114.3
L1 (housing included)	90	106	138
	References of drive modules above (shaft $\varnothing$ 20)		
shaft on the right	<b>R1 MD20</b>	<b>R2TB MD20</b>	<b>R3TB MD20</b>
shaft on the left	<b>R1 MG20</b>	<b>R2TB MG20</b>	<b>R3TB MG20</b>
	References of idler modules (below)		
	<b>R1 R</b>	<b>R2TB R</b>	<b>R3TB R</b>

### Idler modules

These modules are fixed to clear beams in the bottom part over a length of 126 mm.



### Horizontal curves on slip rails:

Each module is supplied with one connecting fish plate.

The black groove cover profile, the required length of slip profile to be clipped on during assembly, and the chain should be ordered separately.

**Recommendations for use:**

It is generally recommended not to exceed a total of 180° of curves on slip rails per conveyor (horizontal curves and vertical curves).



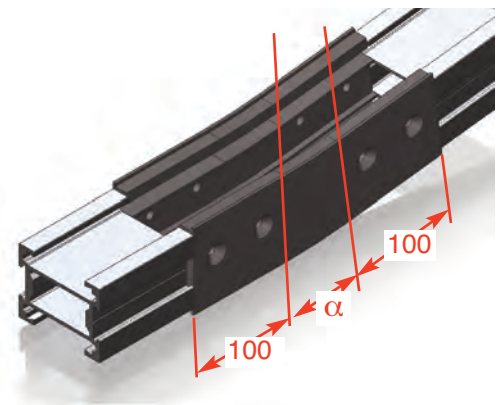
The usual radius is 500 mm on the chain centre line			
Angle $\alpha^\circ$	Robur 1	Robur 2 Low height	Robur 3 Low height
15°	R1 C500/15	R2TB C500/15	R3TB C500/15
30°	R1 C500/30	R2TB C500/30	R3TB C500/30
45°	R1 C500/45	R2TB C500/45	R3TB C500/45
60°	R1 C500/60	R2TB C500/60	R3TB C500/60
90°	R1 C500/90	R2TB C500/90	R3TB C500/90
135°	R1 C500/135	R2TB C500/135	R3TB C500/135
180°	R1 C500/180	R2TB C500/180	R3TB C500/180

### Vertical Curves:

Material: Black HDPE

**Recommendations for use:**

- For angles  $\leq 4^\circ$ , a bias connection of the modules provides a more economical solution (a special fish plate is required).
- Beyond  $7^\circ$ , anti-slip inserts or lugs are generally necessary to avoid spontaneous slipping of the products conveyed.



The usual mean radius is 500 mm			
Angle $\alpha$	Robur 1	Robur 2 Low height	Robur 3 Low height
5°	R1 CV500/5	R2TB CV500/5	R3TB CV500/5
7°	R1 CV500/7	R2TB CV500/7	R3TB CV500/7
x°	R1 CV500/x	R2TB CV500/x	R3TB CV500/x

## Robur low height Curves with wheels

Curve modules with wheels enable a reduction in tensile forces and a greater number of curves per conveyor. The straight end sections (100 or 110 mm) allow connection to adjacent modules.

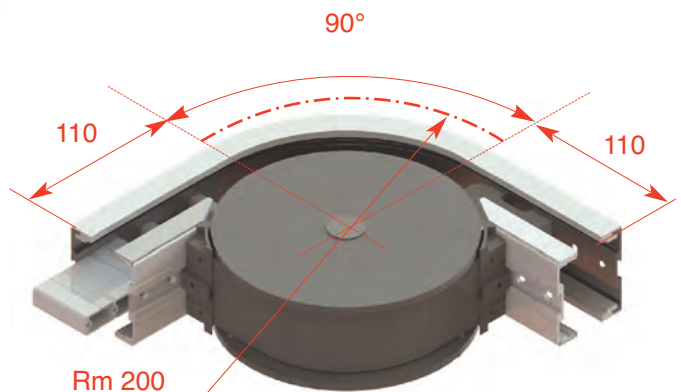
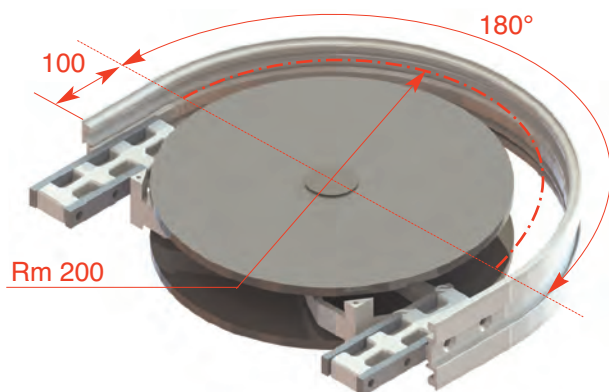
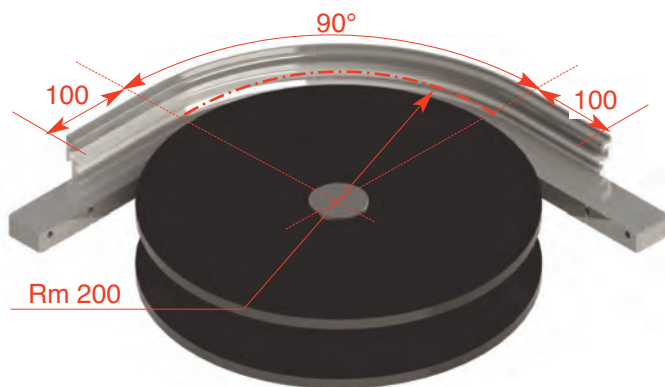
The connection of 2 of these modules together necessitates an intermediate straight module of a length of at least 200 mm.

These modules require 880/881 Tab K...chains R (radius 200 mm), with which the whole conveyor must be fitted.

Range	R1 Robur 1	R2TB Robur 2 Low height	R3TB Robur 3 Low height
Conveyor width	70	86	118
Straight sections	100	100	110
45°	<b>R1 C200/45</b>	<b>R2TB C200/45</b>	<b>R3TB C200/45</b>
90°	<b>R1 C200/90</b>	<b>R2TB C200/90</b>	<b>R3TB C200/90</b>
180°	<b>R1 C200/180</b>	<b>R2TB C200/180</b>	<b>R3TB C200/180</b>
x°	<b>R1 C200/x</b>	<b>R2TB C200/x</b>	<b>R3TB C200/x</b>
Plastic chains	✓	✓	✓
Metal chains	✗	✓ (*)	✗

\* Metal chains of are only available in 200 mm radius for R2TB. They require a bottom tray supplemented by a support disc.

Examples:


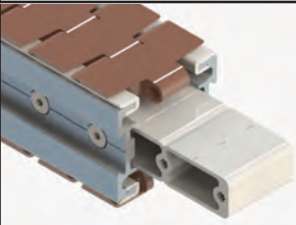
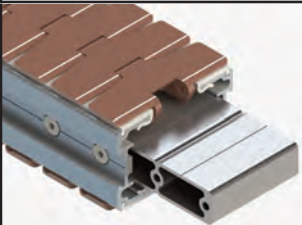
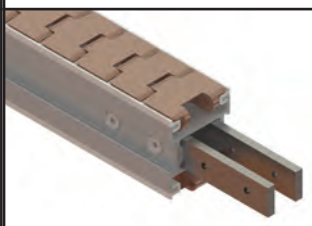
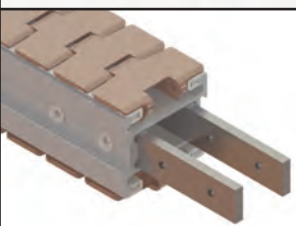





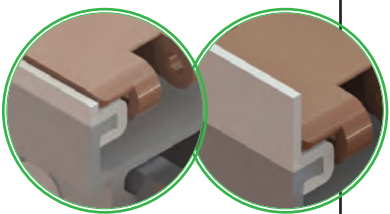
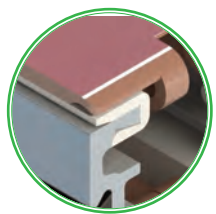

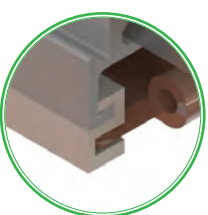
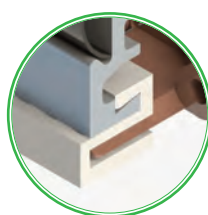
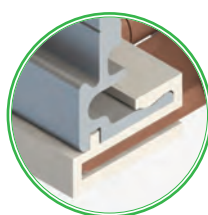
## Robur 2 Low height Fish plates, slip profiles, gears

### Fish plates:

Each module is supplied with its connecting fish plating. If the module is of the monobloc type, we use 2 half-fish plates. If it is an open type or a curve on slip rails, the fish plate is monobloc. Curves with wheels do not require fish plates.




	Robur 1	Robur 2 Low height	Robur 3 Low height
Monobloc fish plate between sides	 Not applicable		
2 half-fish plates for beams			

### Slip profiles:

	Robur 1	Robur 2 Low height	Robur 3 Low height
Top profile For straight or curved chain	<b>R1 PGR3 &amp; R1 PGR16</b> 	<b>R2TB PGHD1000</b> 	<b>R3 PG</b> 
Bottom profile for curved chain	<b>R1 PG-CD</b> 	<b>R2 PG-CD</b> 	<b>R3 PG-CD</b> 

Mounting screw for slip profiles:  
FS ST M4.2x9.5

### Gears:

For plastic curved chain (880TAB)	For straight plastic chain (820)	For metal chain (881TAB and 81x)
		
9 tooth: <b>3-880-09N_ROBUR</b>	18 tooth: <b>3-820-18_ROBUR</b>	18 tooth: <b>3-815-18_ROBUR</b>

## Robur standard height Structures & Straight modules

The "Robur standard height" range offers 3 different widths (see below).

Chains: standard curved plastic, pitch 38.1 mm, to order straight metal, or straight plastic chains.

**Anodized aluminium profiles.**

The usual **mean radius** of curvature is 200 mm (on rotating plates) and 500 mm (on clip rails).

**Linking fish plates** included in the modules.

Fasteners M8 stainless steel.

The **side groove** can be closed by a flexible black cover reference 15 CN.

**Accessories:** Side bracket clamps or leg clamps clip over this groove cover.

Range	Robur 2	Robur 3	Robur 4
Monobloc straight modules: Production to order of any length $x$ from 200 to 3000 mm			
Ref.	<b>R2 D...x-MONO</b>	<b>R3 D..x-MONO</b>	
Beam	<b>R2 PS</b>	<b>R3 PS</b>	
H	145 mm (Biflex chain) or 148 mm (straight chain)		
			<p>×</p> <p>Not applicable</p>
Open straight modules: Production to order of any length $x$ from 200 to 3000 mm			
Ref	<b>R2 D...x</b>	<b>R3 D...x</b>	<b>R4 D...x</b>
Side	<b>R2 FS</b>	<b>R3 FS</b>	<b>R4 FS</b>

### End modules:

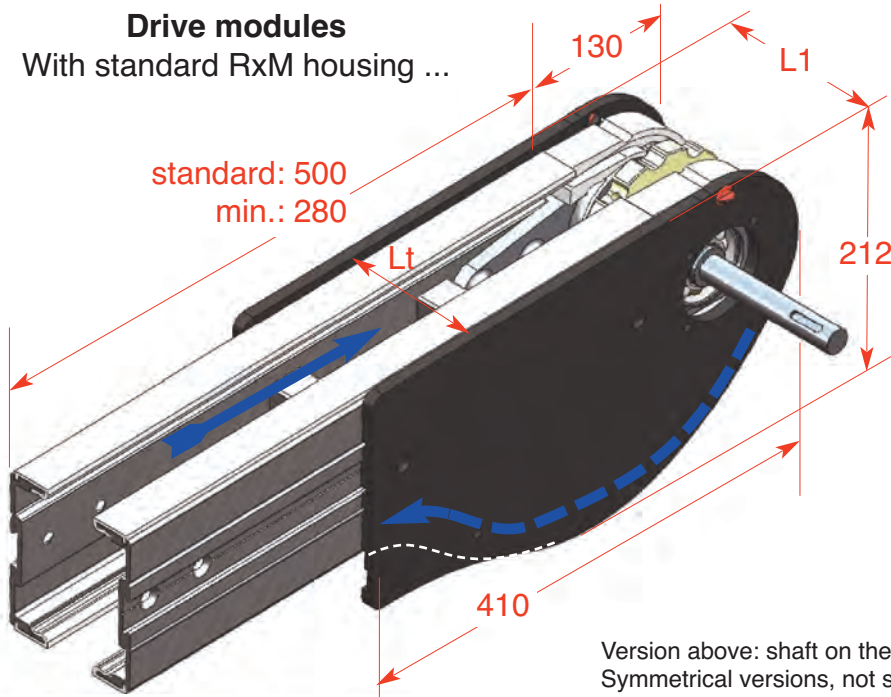
Their construction is based on a moulded aluminium yoke and uses of standard bearings.

End modules include the corresponding housings. Gear motors and their connection flanges are sold separately (casings in black polyethylene th. 10 mm).

11-tooth sprocket for plastic chains with primitive  $\varnothing$  135.2 mm, 21 tooth sprocket for metal chains with primitive  $\varnothing$  129.2 mm

### Drive modules

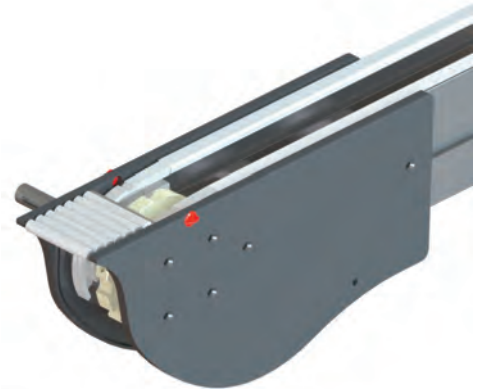
With standard RxM housing ...



standard: 500  
min.: 280

### Drive modules

Option with roller housing

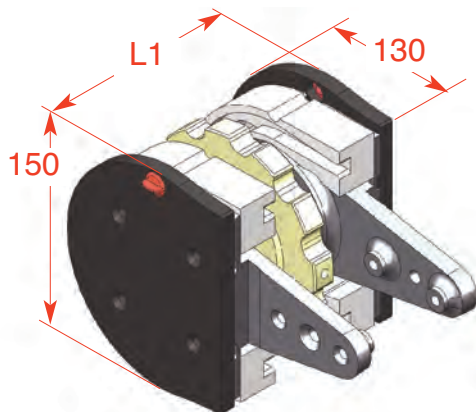


Version above: shaft on the right.

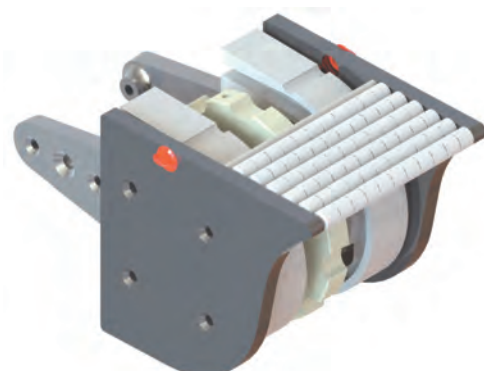
Symmetrical versions, not shown = shaft on the left

Range	Robur 2	Robur 3	Robur 4
Lt (beam)	86	118	196
LC (chain)	82.5	114.3	190.5
L1 (housing included)	106	138	216
References of drive modules with standard housing (shaft $\varnothing$ 20)			
shaft on the right	<b>R2 MD20</b>	<b>R3 MD20</b>	<b>R4 MD20</b>
shaft on the left	<b>R2 MG20</b>	<b>R3 MG20</b>	<b>R4 MG20</b>
References of idler modules with standard housing (below)			
	<b>R2 R</b>	<b>R3 R</b>	<b>R4 R</b>

**Idler modules**  
with standard RxR housing



**Idler modules**  
Option with roller housing





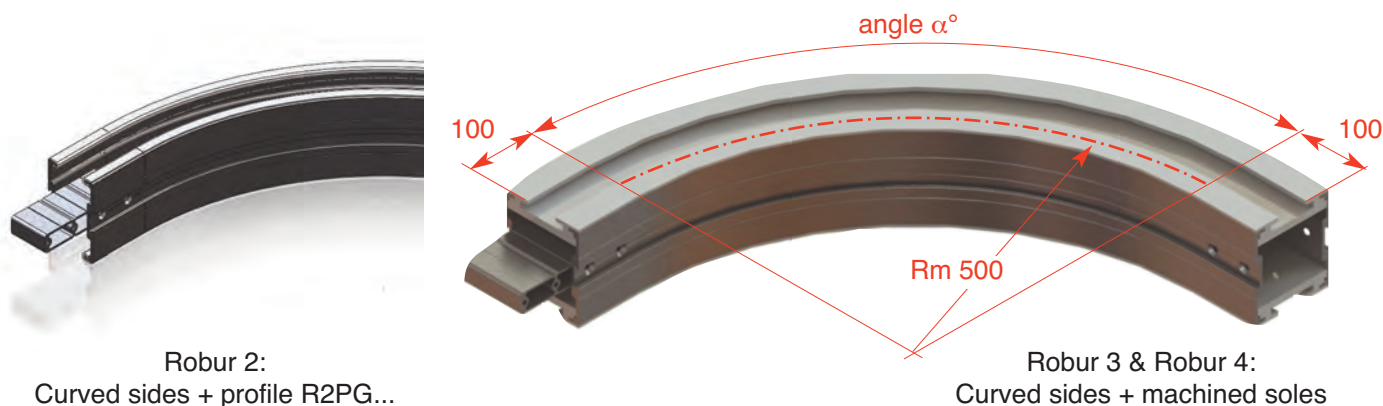
### Horizontal curves on slip rails:

Each module is supplied with one connecting fish plate.

The black groove cover profile, the required length of slip profile to be clipped on during assembly, and the chain should be ordered separately.

#### Recommendations for use:

It is generally recommended not to exceed a total of 180° of curves on slip rails per conveyor (horizontal curves and vertical curves).



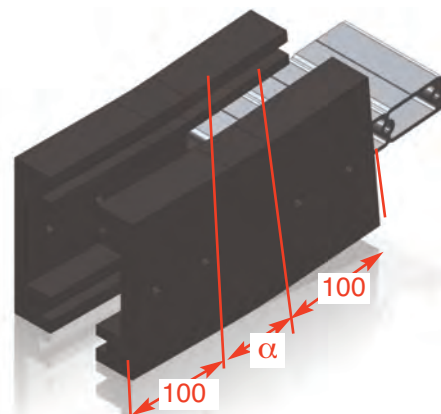
Angle $\alpha^\circ$	Robur 2	Robur 3	Robur 4
15°	R2 C500/15	R3 C500/15	R4 C500/15
30°	R2 C500/30	R3 C500/30	R4 C500/30
45°	R2 C500/45	R3 C500/45	R4 C500/45
60°	R2 C500/60	R3 C500/60	R4 C500/60
90°	R2 C500/90	R3 C500/90	R4 C500/90
135°	R2 C500/135	R3 C500/135	R4 C500/135
180°	R2 C500/180	R3 C500/180	R4 C500/180

### Vertical curve modules:

Material: Black HDPE.

#### Recommendations for use:

- For angles  $\leq 4^\circ$ , a bias connection of the modules provides a more economical solution (a special fish plate is required).
- Beyond  $7^\circ$ , anti-slip inserts or lugs are generally necessary to avoid spontaneous slipping of the products conveyed.



Angle $\alpha^\circ$	Robur 2	Robur 3	Robur 4
5°	R2 CV500/5	R3 CV500/5	R4 CV500/5
7°	R2 CV500/7	R3 CV500/7	R4 CV500/7
x°	R2 CV500/x	R3 CV500/x	R4 CV500/x

## Robur 2 & 3 Curves with wheels

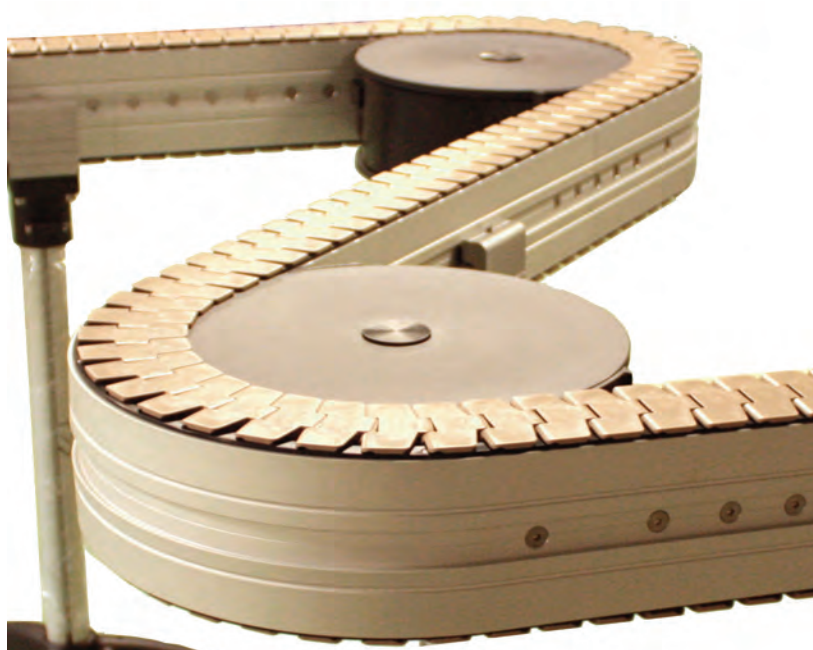
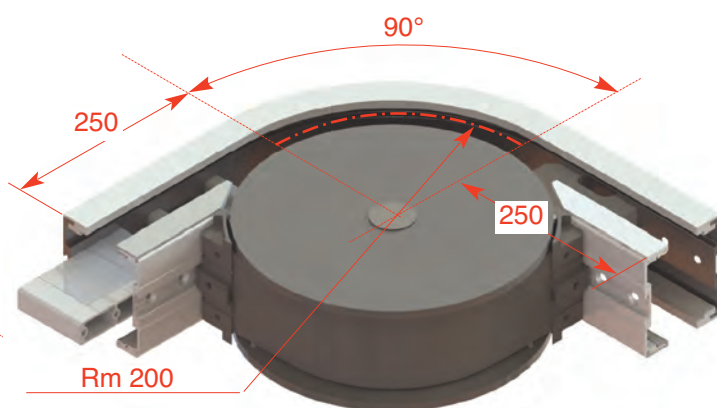
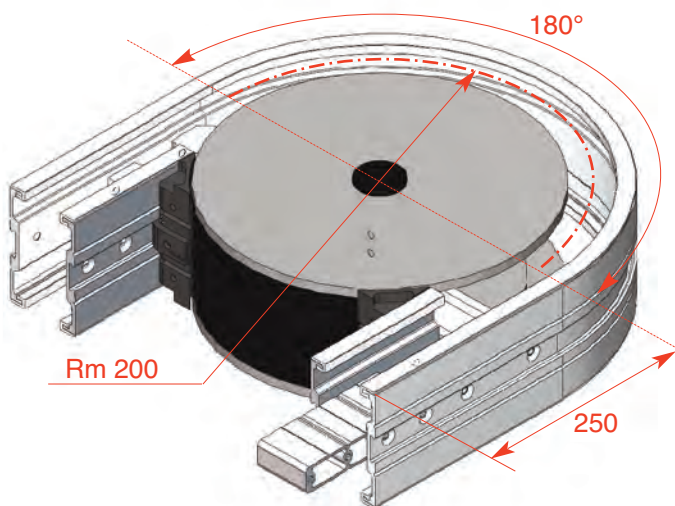
Curve modules with wheels enable a reduction in tensile forces and a greater number of curves per conveyor. The straight end sections (250 mm) allow connection to adjacent modules. 2 of these modules can be connected together without a straight module between them. These modules require 880/881 Tab K...chains R (radius 200 mm), with which the whole conveyor must be fitted.

Range	Robur 2	Robur 3
Straight sections	100	110
45°	R2 C200/45	R3 C200/45
90°	R2 C200/90	R3 C200/90
180°	R2 C200/180	R3 C200/180
x°	R2 C200/x	R3 C200/x
Plastic chains	✓	✓
Metal chains	✓ (*)	✗

\* Metal chains are only available with a radius of 200 mm for R2. They require a bottom tray supplemented by a support disc.

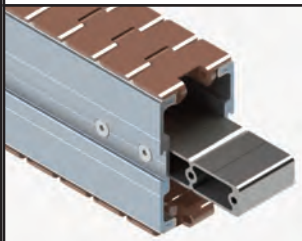
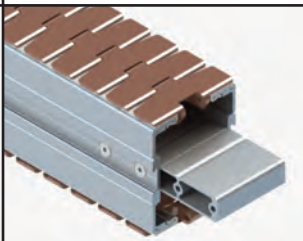

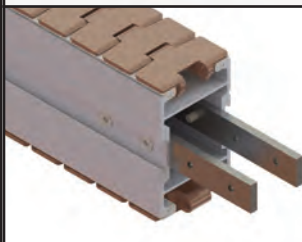

**R2C200/180**

**R3C200/90**

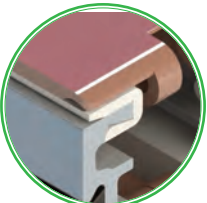

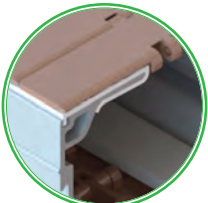
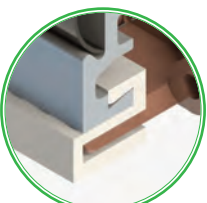
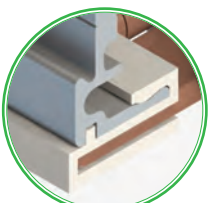
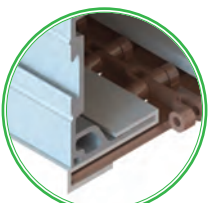


### Fish plates:


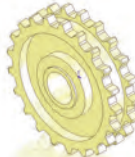

Each module is supplied with its connecting fish plating. If the module is of the monobloc type, we use 2 half-fish plates. If it is an open type or a curve on slip rails, the fish plate is monobloc. Curves with wheels do not require fish plates.

	Robur 2	Robur 3	Robur 4
Monobloc fish plate between sides			
2 half-fish plates for beams			<span style="color: red;">×</span> Not applicable

### Slip profiles:

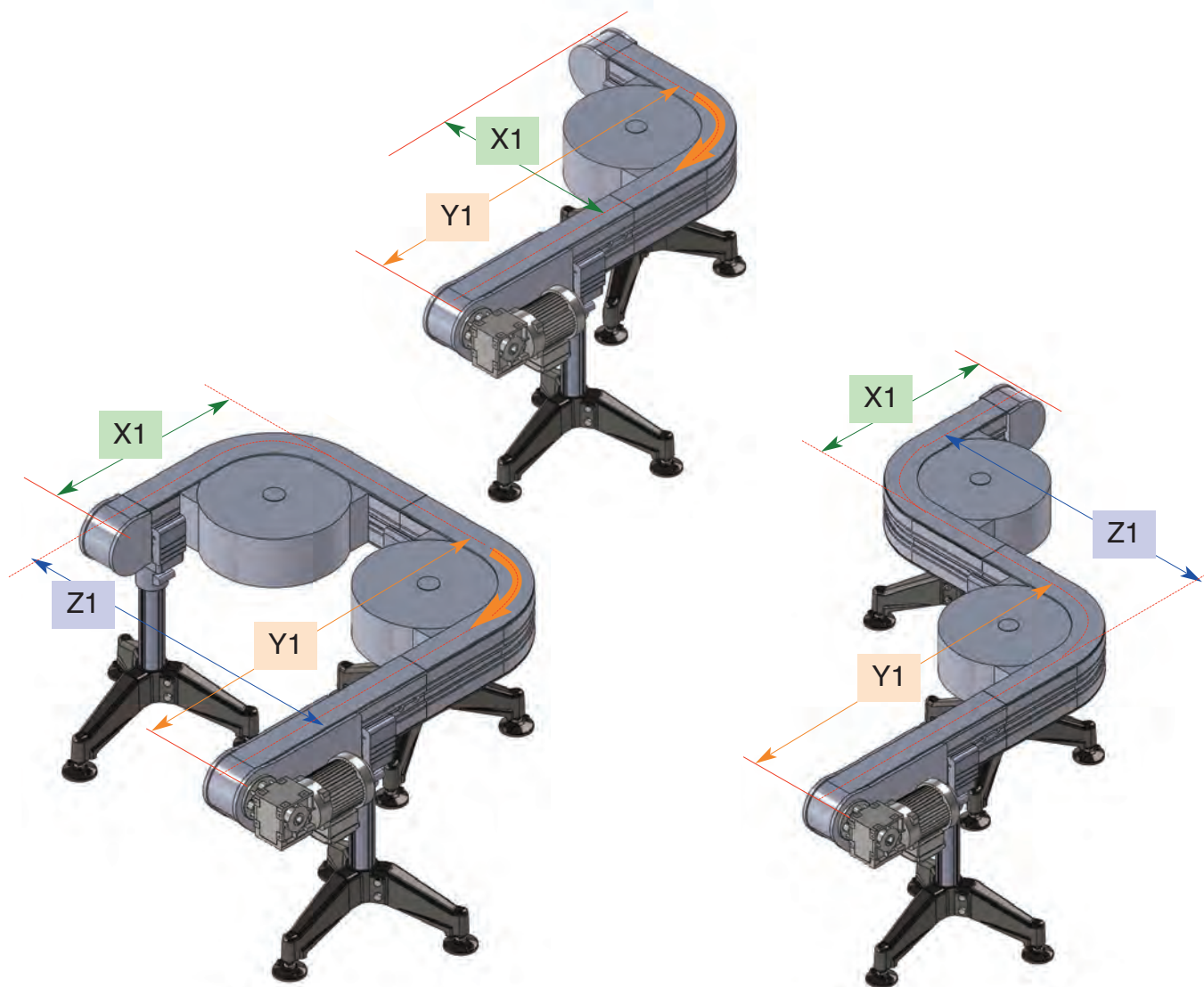
	Robur 2	Robur 3	Robur 4
Top profile For straight or curved chain  Bottom profile for curved chain	<b>R2 PGHD1000</b> 	<b>R3 PG</b> 	<b>R4 PG</b> 
Bottom profile for curved chain	<b>R2 PG-CD</b> 	<b>R3 PG-CD</b> 	<b>R4 PG-CD</b> 

### Sprockets:

Sprockets, item 1		
For plastic curved chain (880TAB)	For straight plastic chain (820)	For metal chain (881TAB and 81x)
		
11 tooth: <b>3-880-11N_ROBUR</b>	21 tooth: <b>3-820-21N-ROBUR</b>	21 tooth: <b>3-881-21_ROBUR</b>



## Robur® conveyors Minimum dimensions with 2 curves of 90° in the same or the opposite direction



Conveyor reference	with plastic chain	with metal chain	Chain width	Conveyor width	Mean radius of curves	X1 min	Y1 min	Z1 min
Robur 1	✓	✗	63.5	70	200 min.	664	664	800
Robur 2TB	✓	✓	82.5	86	200 min.	664	680	800
Robur 2	✓	✓			200 min.	580	810	900
Robur 3TB	✓	✗	114.3	118	200 min.	674	710	820
	✗	✓			500 min.	974	1010	1120
Robur 3	✓	✗			200 min.	580	810	900
	✗	✓			500 min.	880	1110	1200
Robur 4	✓	✗	190.5	196	400 min.	630	780	1000
	✗	✓			500 min.	730	880	1200

The dimensions indicated cover standard curved modules with minimum length drive modules. Consult our Design Office to validate your installations.

# Aluminium modular conveyors

**CAB**

Ball conveyors

**CAB-SB**

Straight conveyors



Flexmove

Flexinox

Flextoo

Robur

CAB & BAB-SB

Guides

Legs

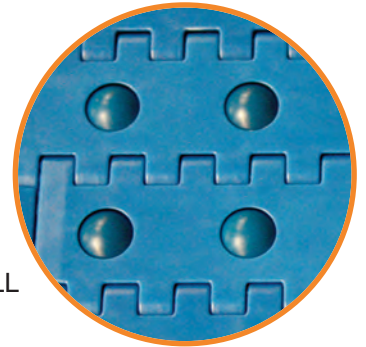


**Tough and silent for conveying and handling boxes & hard base bulky products.**

**CAB is available in several widths:**

see table on the next page)

- Modularity.
- Tough structure,
- Silent.
- Optimum staff safety.
- Quick and easy maintenance.
- Multidirectional ball belt, pitch 25.4 Very strong:



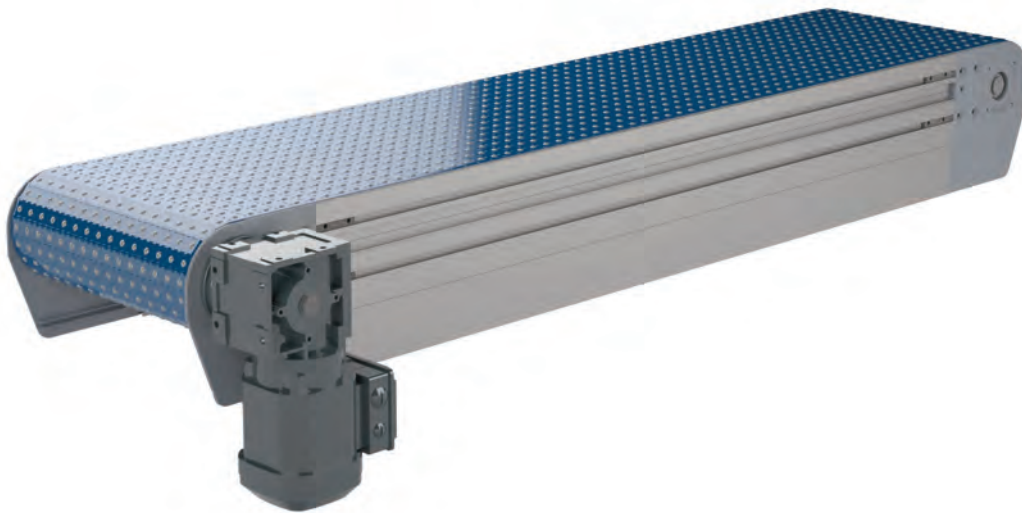
The QNB BALL

Handling functions achievable thanks to

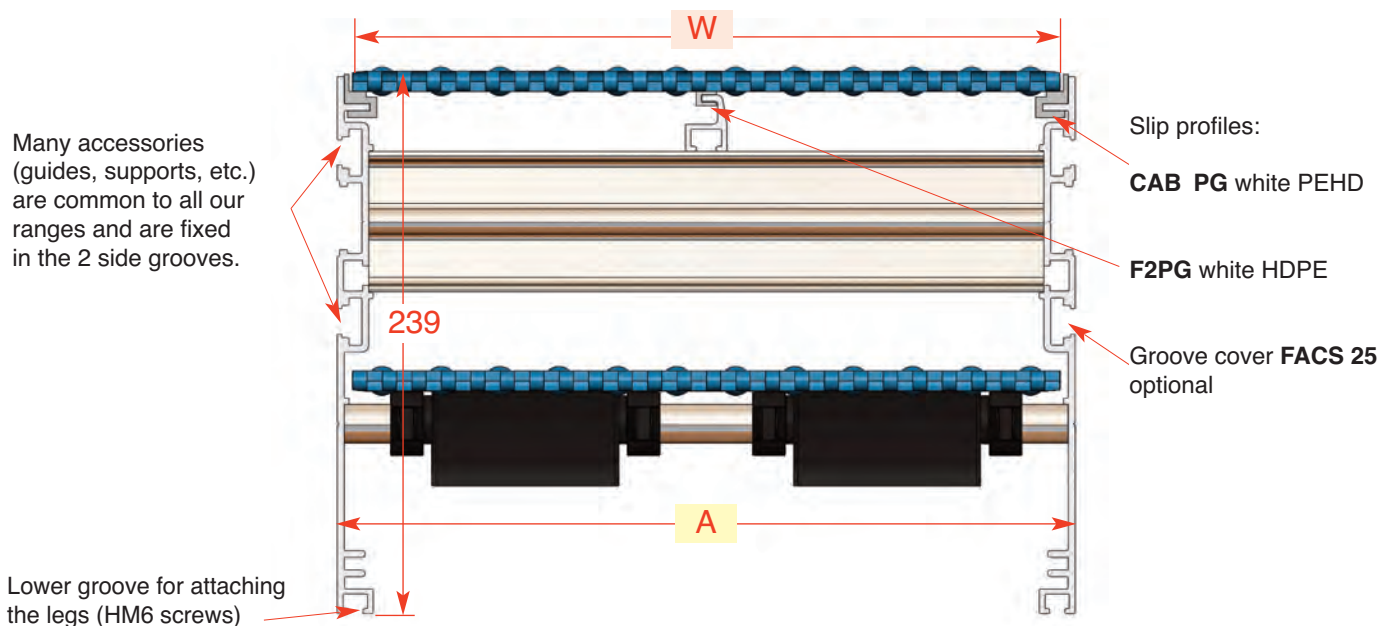
or several conveyors integrated in the structure (as from the CAB 15 QNB version):

- Referencing on a fixed edge, 90° transfer
- Ejection of non-compliant products,
- Creation of a pitch between the products, reduction of the gap between products, stoppage of the product on the running conveyor, reversing the direction of feed of the product
- Product rotation

It is possible to integrate several functions in a same feeder, depending on the length available.



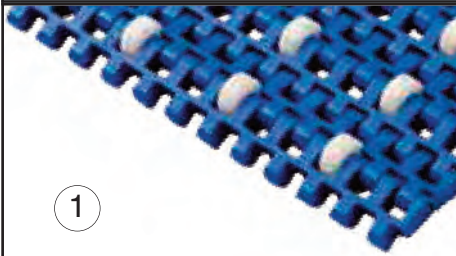


### Sectional view





Belt width	Conveyor width (A)	Number of support profiles	QNB (ball) belt (previous page)	M-TTB belt figure 1	RTB belt figures 2 & 3
152.4 mm	165 mm	1	CAB 6 QNB (*)	CAB 6 M-TTB	CAB 6 RTB
203.2 mm	216 mm		×	×	CAB 8 RTB
228.6 mm	242 mm		CAB 9 QNB (*)	CAB 9 M-TTB	×
254 mm	267 mm		×	×	CAB 10 RTB
304.8 mm	318 mm		CAB 12 QNB (*)	CAB 12 M-TTB	CAB 12 RTB
355.6 mm	369 mm		×	×	CAB 14 RTB
381 mm	394 mm		CAB 15 QNB	CAB 15 M-TTB	×
406.4 mm	420 mm	2	×	×	CAB 16 RTB
457.2 mm	470 mm		CAB 18 QNB	CAB 18 M-TTB	CAB 18 RTB
508 mm	521 mm		×	×	CAB 20 RTB
533.4 mm	546 mm	3	CAB 21 QNB	CAB 21 M-TTB	×
558.8 mm	572 mm		×	×	CAB 22 RTB
609.6 mm	623 mm		CAB 24 QNB	CAB 24 M-TTB	CAB 24 RTB

The belt widths and the dimension A are for the QNB belt. They vary slightly compared with the other internal band conveyor belts (\*) possible for CAB 15 QNB and others

Versions of the CAB under development		
M-TTB Pitch of 12.7 mm with rollers for accumulation	RTB M1 Pitch of 50.8 mm A belt with small swivellable rollers	<ul style="list-style-type: none"> <li>• RTB M2</li> <li>• RTB M2 Rubber (PU coated) Pitch of 50.8 mm, belt with swivellable rollers</li> </ul>
 ①	 ②	 ③

POM belt, PA66 balls; (other materials to order)

The RTB-M2 belt allows the products to be centred on the conveyor.

### Straight modules

#### CAB...D...

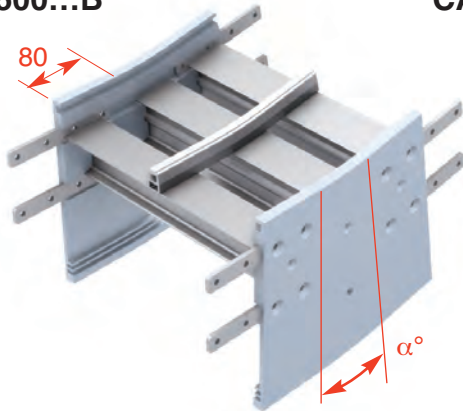
(standard length 3m, others to order)



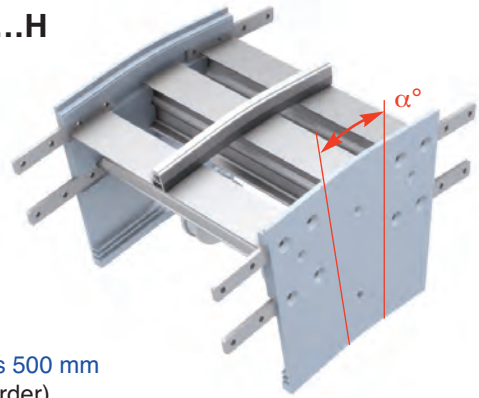
FACS-20x140A connection fish plates not included

**Vertical curved modules**

**CAB...CV500...B**

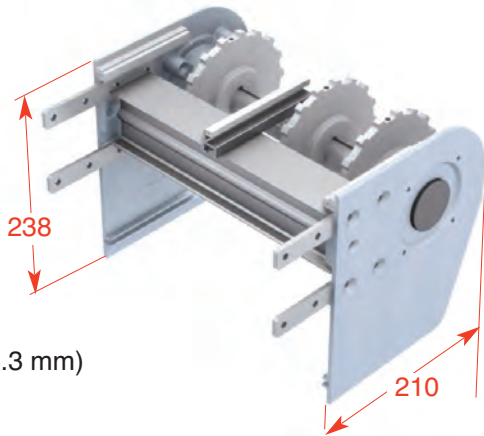


**CAB...CV500...H**

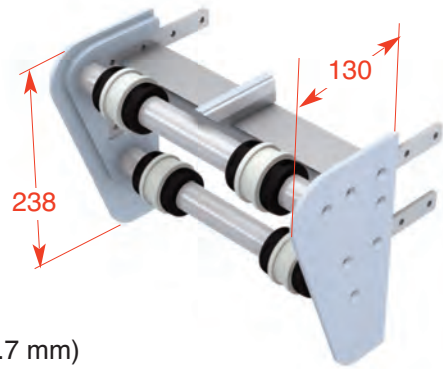


mean radius 500 mm  
(angles to order)

**Standard and knife edge idler modules**



( $\text{ØP} = 146.3 \text{ mm}$ )

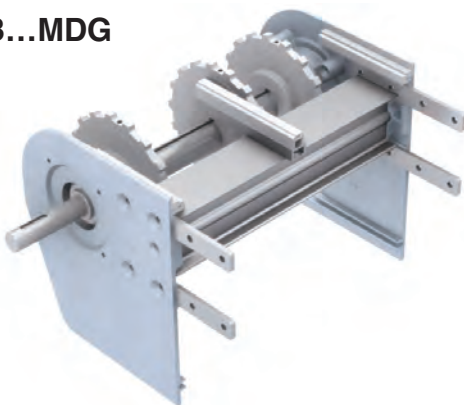


$\text{ØP} = 68.7 \text{ mm}$

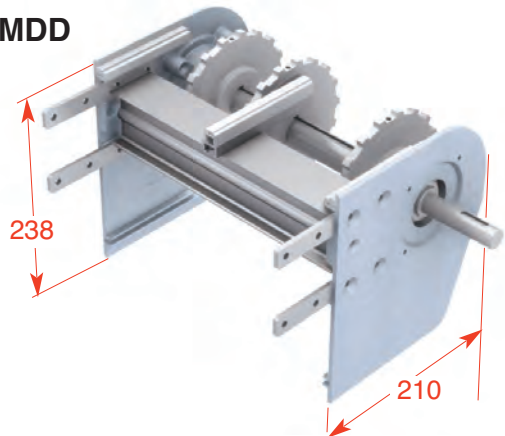
**Drive modules CAB...MDG and CAB...MDD**

Modules with slack strand ( $\text{Ø}20$  or  $\text{Ø}30$  shaft)  
18 tooth drive gears, pitch 25.4 i.e.  $\text{ØP} = 146.3 \text{ mm}$

**CAB...MDG**



**CAB...MDD**



**End transfers**

**CAB...TG1**



**CAB...TG2**

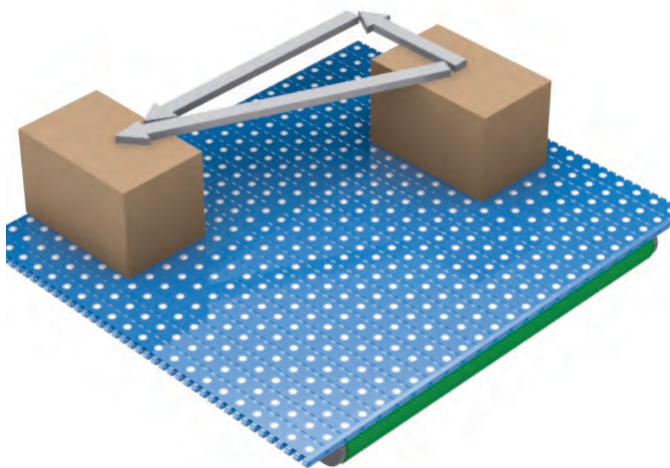


Not compatible with anti-slip lugs  
or inserts

### Lateral movement

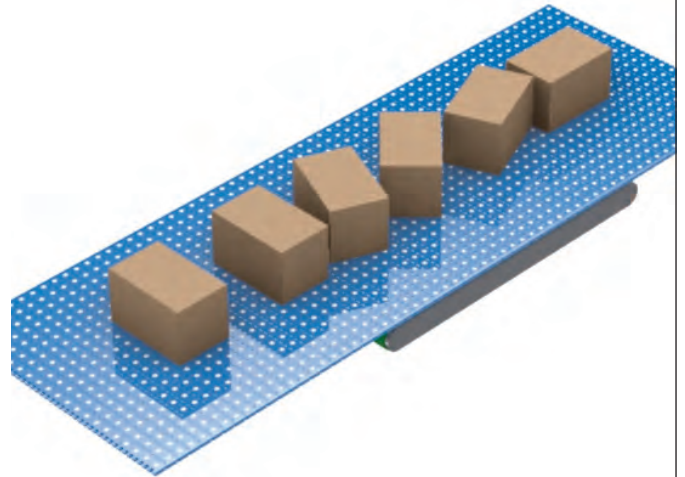
#### Applications:

- Referencing on a fixed edge
- 90° transfer
- Ejection of non-compliant products

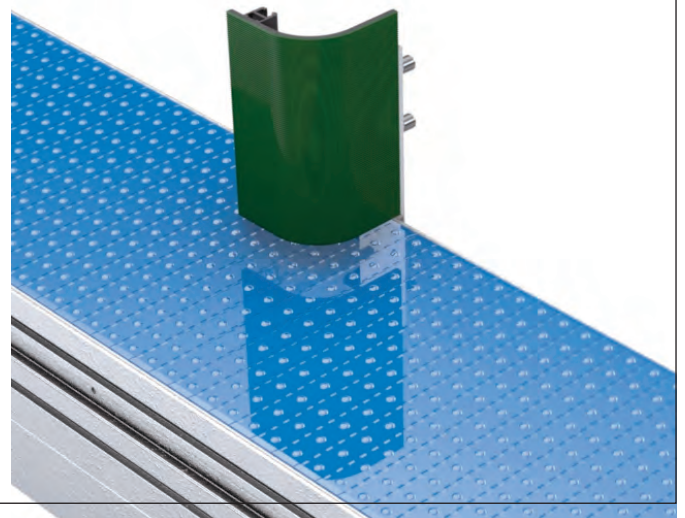


### Rotational movements

- With two belt conveyors with different speeds placed in parallel in the structure



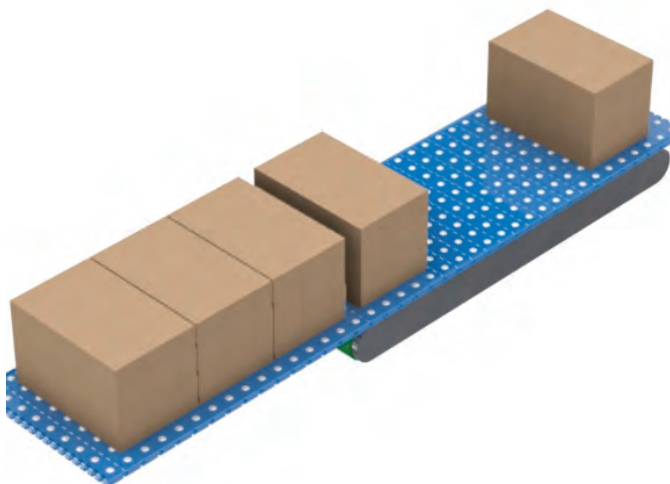
- With pivot stop



### Variation in the conveying speed

#### Applications:

- Creation of a pitch between products
- Reduction of the gap between products
- Stoppage of the product on the running conveyor
- Reversal of the direction of feed of the product



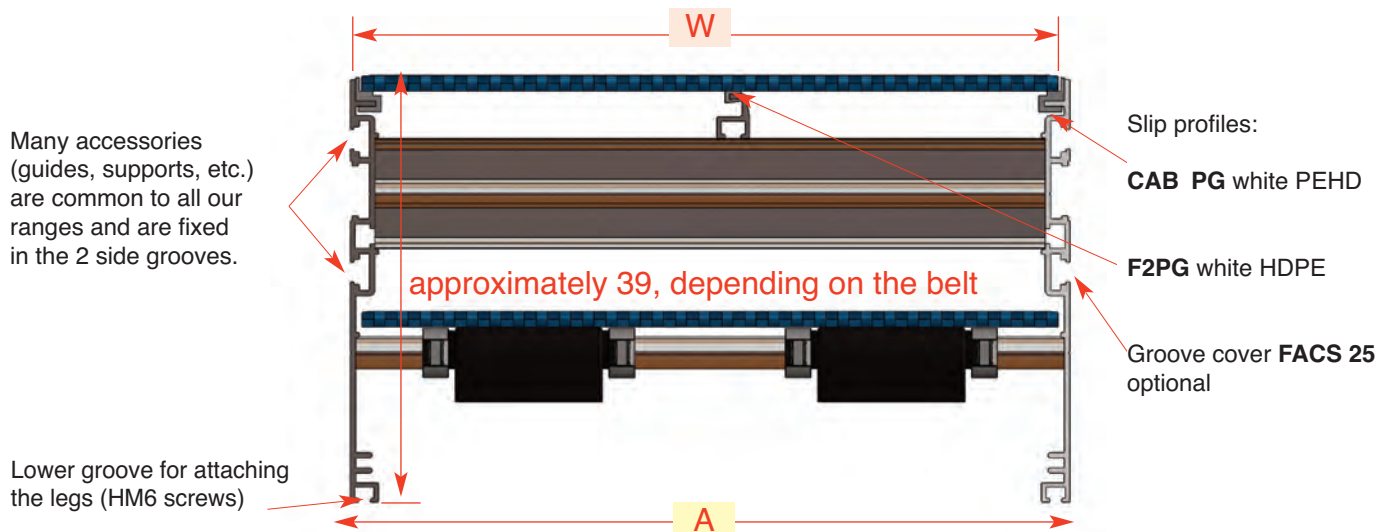
For these functions, our conveyors do not require compressed air.

- Energy saving
- Reduction of the installation costs
- Time saving in the fitting in the machine or the packaging line
- Possibility of including multiple functions on a single conveyor

Before any order, tests should be carried out in our workshops to validate the proposed functions.



### Sectional view



Conveyor reference	Belt width	Conveyor width (A)	Number of support profiles	QNB, JCB, SNB M2, M-TTB and M-QNB belts
CAB-SB 6	152,4 mm	165 mm	1	✓
CAB-SB 9	228,6 mm	242 mm		✓
CAB-SB 12	304,8 mm	318 mm		✓
CAB-SB 15	381 mm	394 mm		✓
CAB-SB 18	457,2 mm	470 mm	2	✓
CAB-SB 21	533,4 mm	546 mm	3	✓
CAB-SB 24	609,6 mm	623 mm		✓

The belt widths and the dimension A vary slightly depending on the belt.



### Tough and silent for conveying boxes & bulky products.

**CAB-SB is available in several widths:**

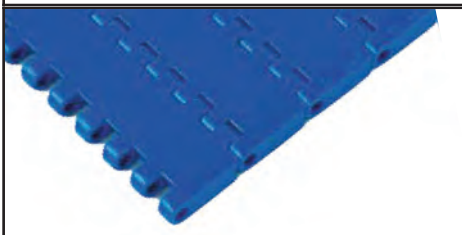
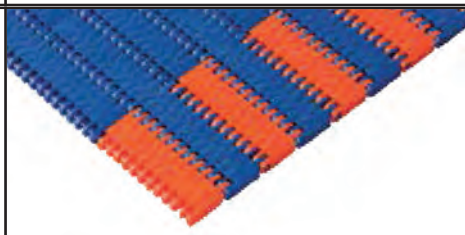
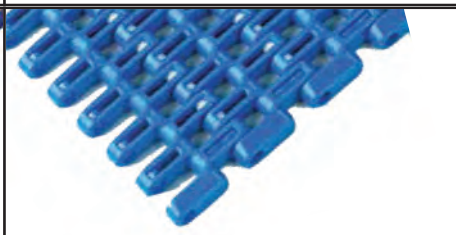
165 mm, 242 mm, 318 mm, 394 mm, 470 mm, 546 mm, 623 mm (beyond this to order)

- Modularity,
- Tough structure,
- Silent,
- Optimum staff safety,
- 3 types of belt available with a pitch of 25.4,
- Quick and easy maintenance,
- Conveyor length  $\geq$  570 mm.


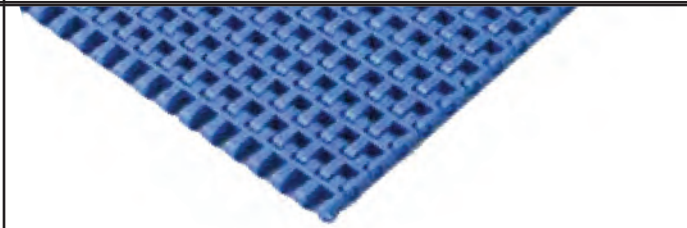
**CAB-SB: this is a range of conveyors equipped with smooth, openwork or closed belts**



Versions of CAB-SB available: belt with a pitch of 25.4 mm

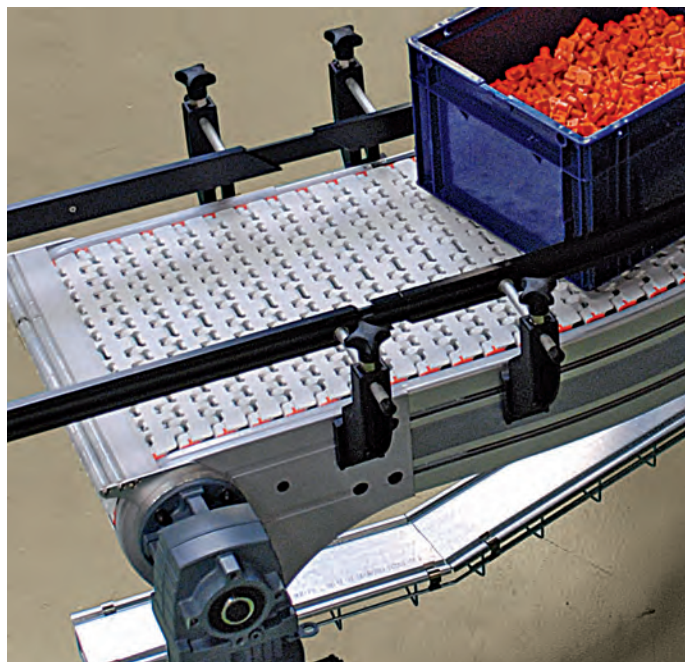
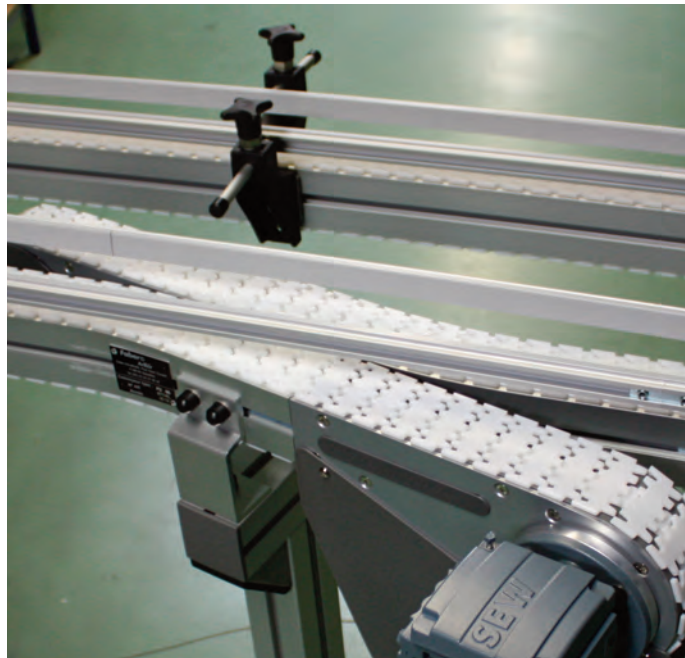
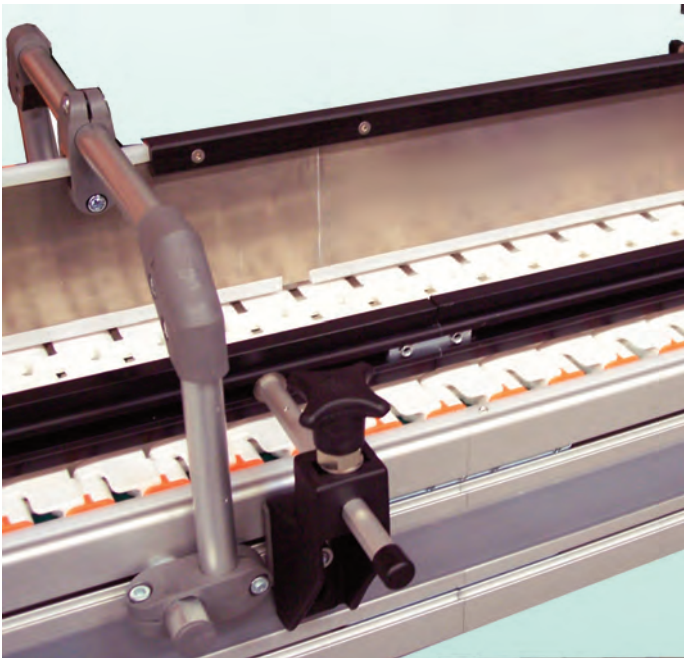
QNB C closed belt	JCB Y closed belt	SNB M2 openwork belt
		

Versions of CAB-SB under development: belt with a pitch of 12.7 mm

M-QNB closed belt	M-TTB openwork belt
	

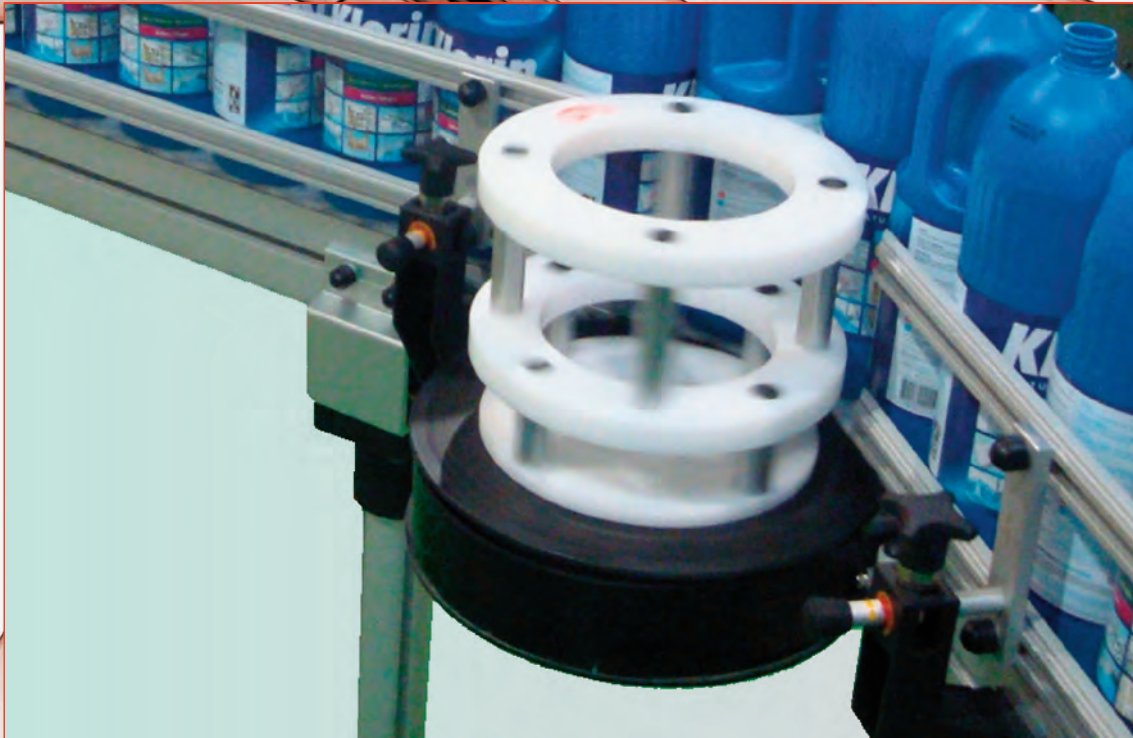
POM belt (other materials to order)







# Guides for conveyors



Flexmove

Flexinox

Flextoo

Robur

CAB

**Guides**

Legs

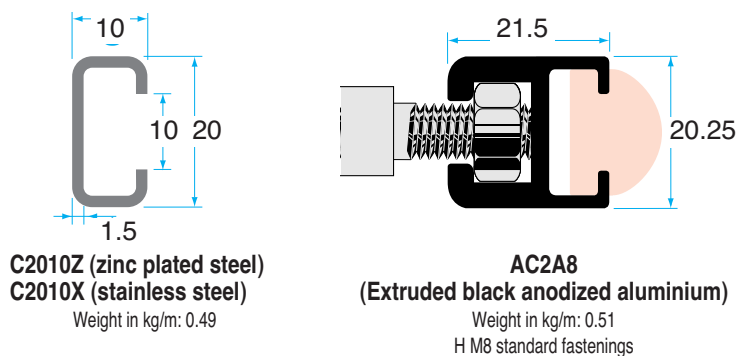
Profiles	H	Contents and profile colours	Packaging	Observations	Frame and clamp (if compatible)			
					Frame: C2010X or C2010Z	idem + EL60 bracket	idem + EL92 bracket	Frame AC2A8 (aluminium)
FL1		N V T	3 m	Machined				
FL2		V N	3 m	Machined		X incompatible	X incompatible	
FL5	20	N X		Extruded		X incompatible	X incompatible	
FL5U H30	30	N V	3 m	Machined		X incompatible	X incompatible	
FL5UH40	40	V	3 m	Machined		X incompatible	X incompatible	
FL5S	20	N V	3 m	Machined				
FL5S H30	30	N V	3 m	Machined				
FL8		V		Extruded		X incompatible	X incompatible	

### Materials of plastic profiles

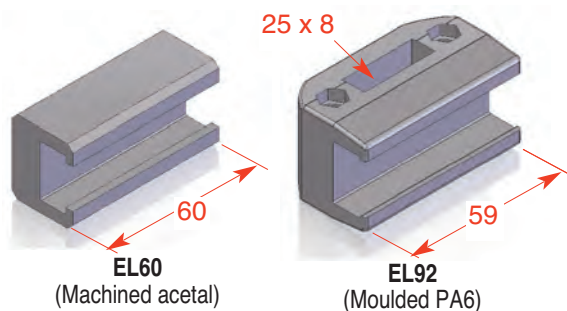
- B Natural High Density Polyethylene
- N Black High Density Polyethylene
- R Red High Density Polyethylene
- V Green High Density Polyethylene
- NA Black Anti-Static High Density Polyethylene
- X OV Protect 7 blue (better slipping)
- T PTFE (Teflon®), length 1200 mm

Other materials and colours to order

### Metal frames above



### Plastic clamps for C2010 above



### Accessories for AC2A8 above



### Lateral guide profiles FD7... for metal strip

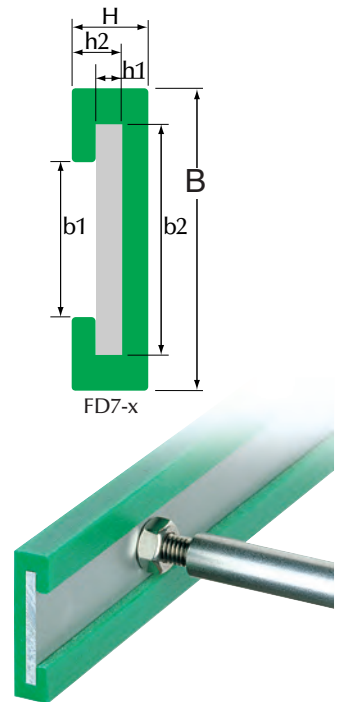
Profile							Mild steel strip not supplied Dimensions
Ref.	B	H	b1	b2	h1	h2	
FD 7-1	40	10	20	31	3,5	7	30 x 3
FD 7-2	50	11	30	41	4,5	8	40 x 4
FD 7-3	50	15	30	41	8,5	12	40 x 8
FD 7-4	60	14	40	51	6,5	10	50 x 6
FD 7-5	70	14	50	61	5,5	10	60 x 5
FD 7-6	80	14	60	71	5,5	10	70 x 5
FD 7-7	82	12	60	71	3,5	8	70 x 3
FD 7-8	90	15	70	81	5,5	10	80 x 5
FD 7-9	90	15	70	81	6,5	10	80 x 6
FD 7-10	110	15	90	101	6,5	10	100 x 6

Materials and colours of the FD7 profiles



Other materials and colours to order

**Example of installation:** with threaded pin (to be ordered separately) and steel or stainless steel strip (not supplied).



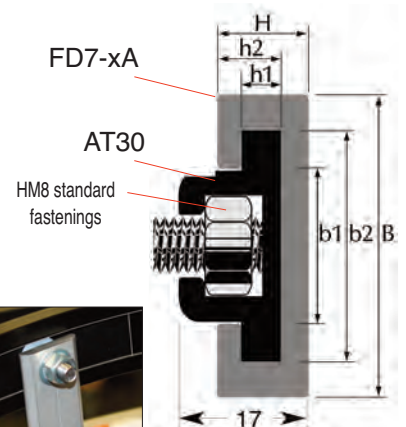
### Lateral guidance profiles for aluminium frame AT30

Profile							Armature, black anodised aluminium
Ref.	B	H	b1	b2	h1	h2	
FD 7-1A	40	12	20,5	30,5	5,3	8,5	AT30
FD 7-2A	50	12	20,5	30,5	5,3	8,5	
FD 7-4A	60	12	20,5	30,5	5,3	8,5	

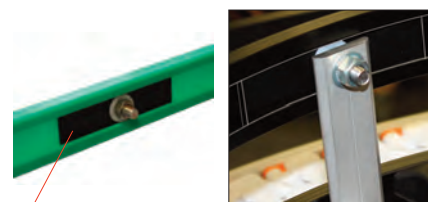
Materials and colours of the FD7-1 profiles



Other materials and colours to order



Fish plate **FBCS-13x50**  
Groove cover **CR8N2**



Plastic part **FGPR FD100** in black POM for guides FD7-1A... in curves

### Stainless steel bar and tube Ø12

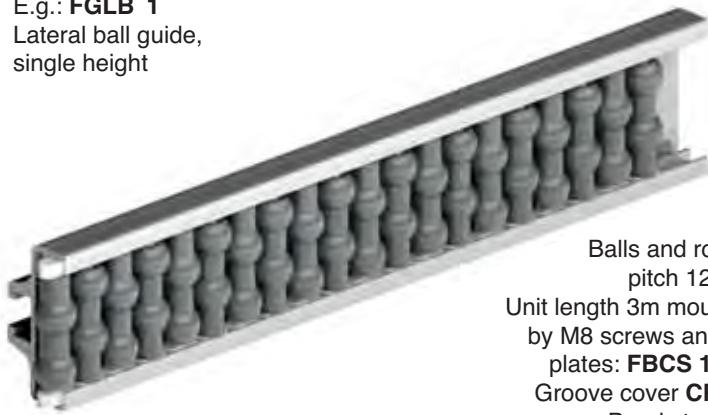
Packaging: 3m bar

Reference		Application
RI12	<b>Stainless steel bar Ø12</b>	Straight or curved lateral guide
TI12	<b>Stainless steel tube Ø12</b>	Straight lateral guide



## Lateral guides and intermediate ball and roller guides (aluminium structure)

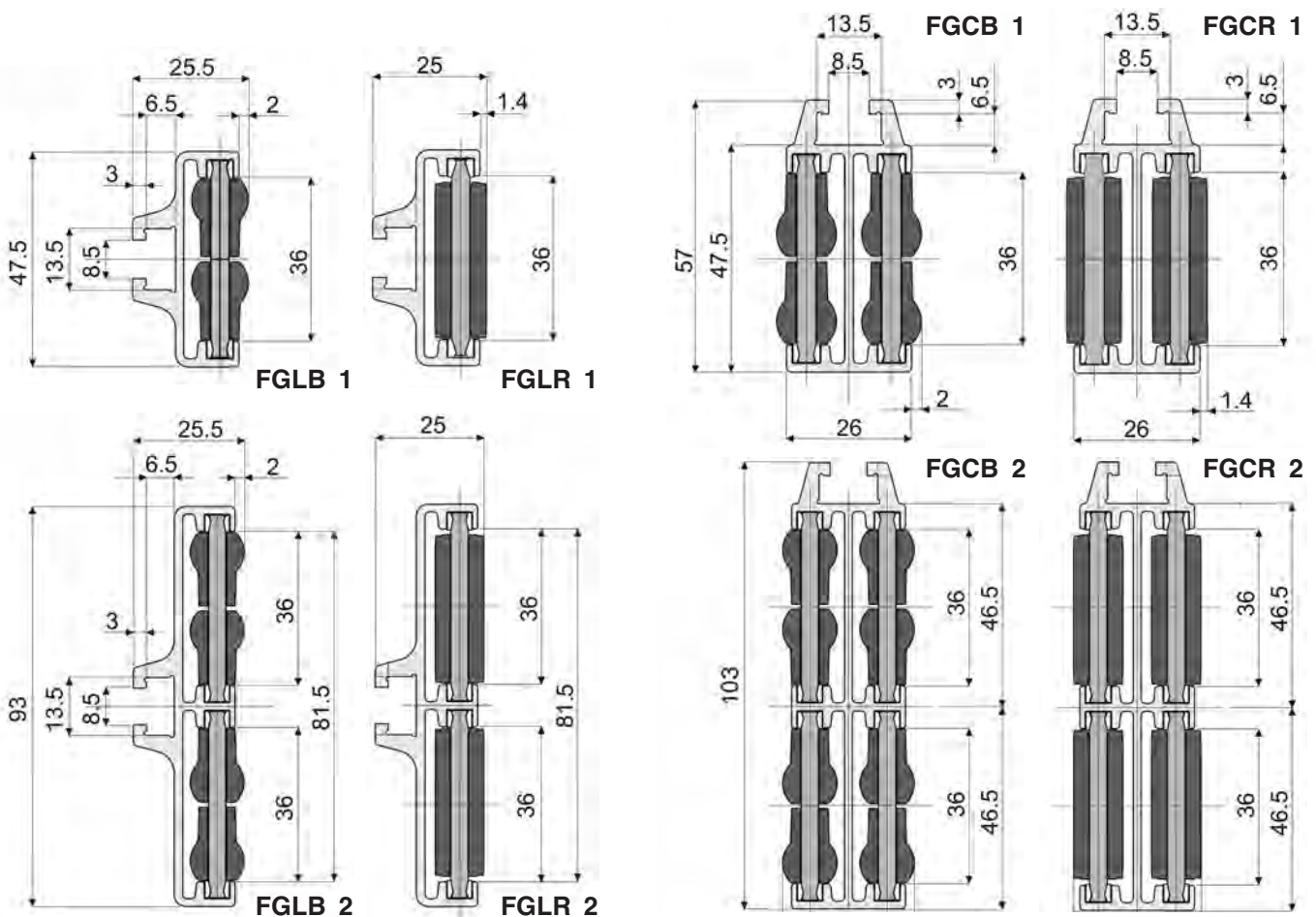
E.g.: **FGLB 1**  
Lateral ball guide,  
single height



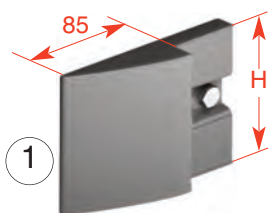
E.g.: **FGCR 2**  
Central roller guide,  
double height



Balls and rollers,  
pitch 12 mm,  
Unit length 3m mounting  
by M8 screws and fish  
plates: **FBCS 13x50**  
Groove cover **CR8G2**  
Bends to order

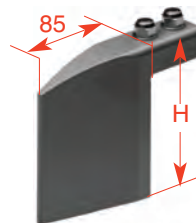


Grey PE ends, stainless steel fastenings



1

Reference	figure	H	Can be fitted on
<b>FGEC L1</b>	1	48	FGLB1 FGLR1
<b>FGEC L1A</b>	2		
<b>FGEC L2</b>	1	93	FGLB2 FGLR2



2

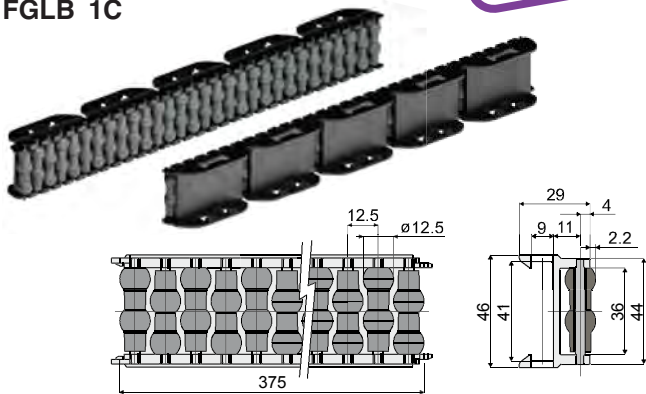
Reference	H	Can be fitted on
<b>FGEC C1</b>	62	FGCB1 FGCR1
<b>FGEC C2</b>	107.7	FGCB2 FGCR2

**NEW**  
2017-1

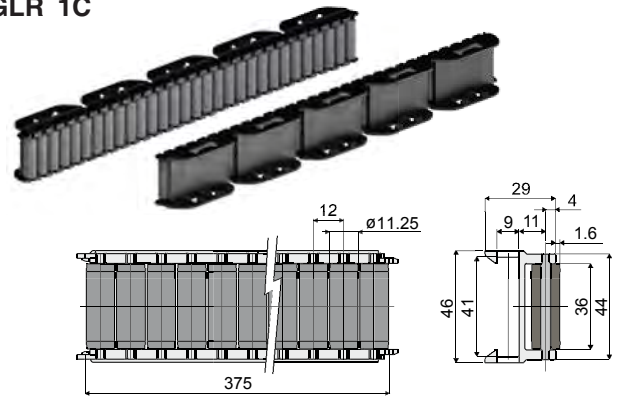
# Lateral formable ball and roller guides\* (stainless steel frame)

Lateral ball guide,  
single height  
**FGLB 1C**

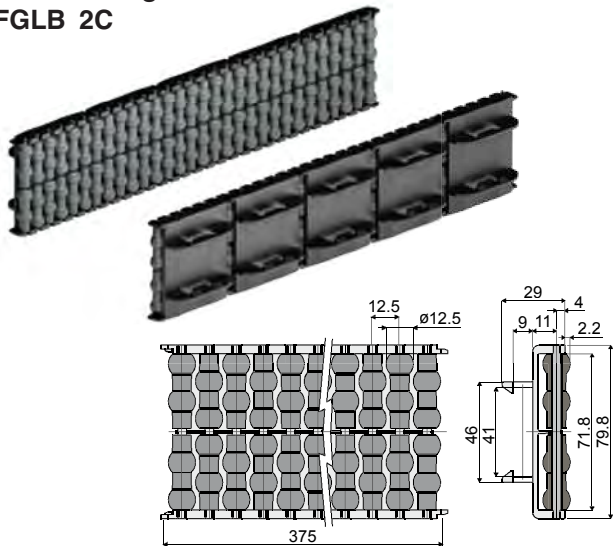
**NEW**  
2017-1



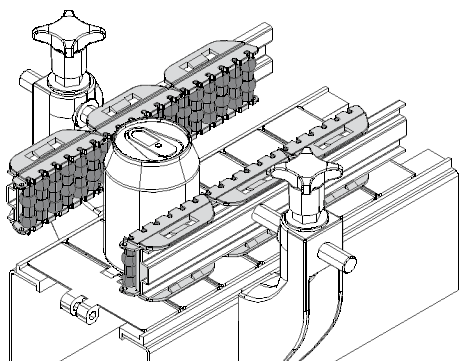
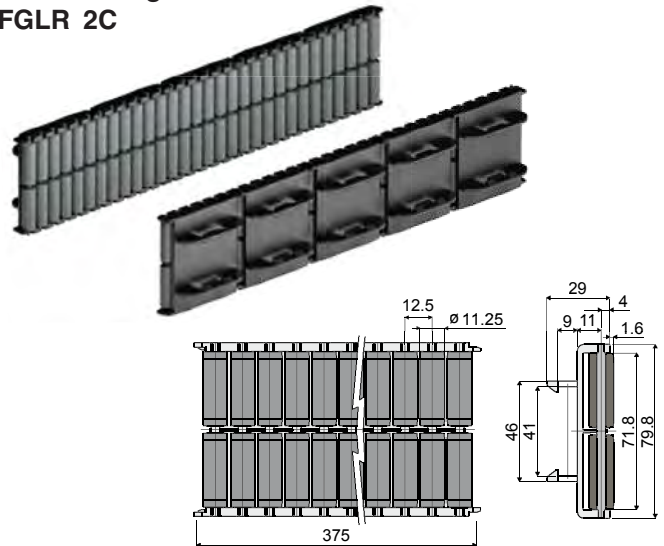
Lateral roller guide,  
single height  
**FGLR 1C**



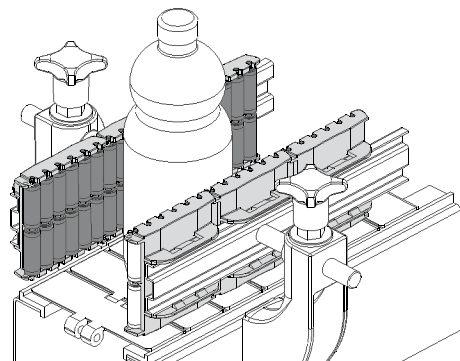
Lateral ball guide,  
double height  
**FGLB 2C**



Lateral roller guide,  
double height  
**FGLR 2C**



Examples of use



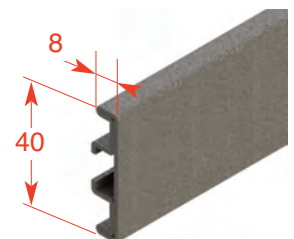
\* minimum radii: inside 350 mm, outside 500mm



## Stainless steel frame for the guides above

**FGRRX 3x40x8**  
can also be used alone  
as a lateral guide.

Groove for HM8 head,  
Packaging: bar of 3m

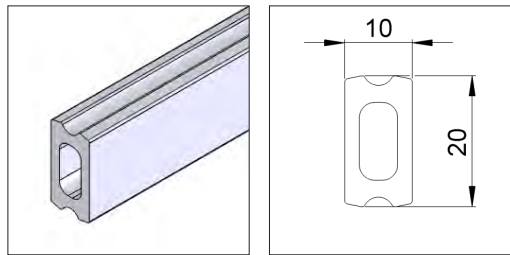


### Profile 20x10

Packaging: 3m bar

It can be used alone (not covered with protection profiles below)

- FGRR 3x20x10 (natural anodised aluminium)
- FGRR 3x20x10T (steel)

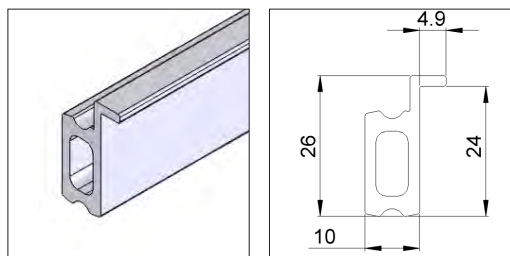


### Profile FGRR 3x20x10 F

Natural anodised aluminium

Packaging: bar of 3m

It can be used alone (not covered with protection profiles below)

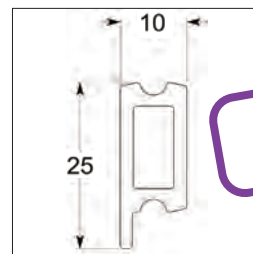


### Profile FGRR 3x20x10 B

Natural anodised aluminium

Packaging: bar of 3m

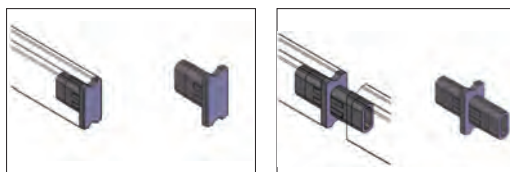
It can be used alone (not covered with protection profiles below)



End plug FGEC 10x20    Junction FGRJ 10x20

### Grey plastic ends

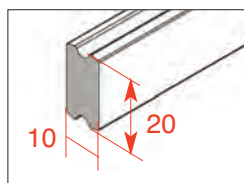
(Machined HDPE or moulded nylon)



### Flexible profile FGRR 3x20x10P

for adjustable curves

Grey machined PE in bars of 3m.



Mounting of these profiles by clamps or FGRA or FGRB brackets

### Profile FGRR 3x20x12

Natural anodised aluminium

Packaging: bar of 3m

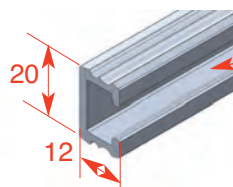
Used alone or covered with protection profiles FGRT... below.

The rear groove can receive the cover CR8G2

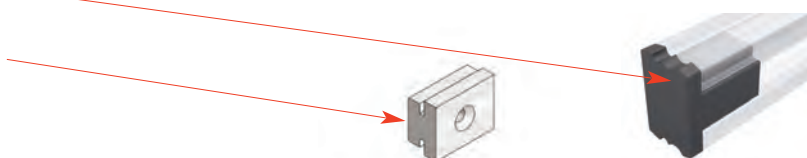
End plug: FGEC 12x20

Fish plate: FBCS 13x50

Sliding gib FGRR FG25



Mounting of this profile by standard HM8 screws



We recommend placing at least a set of brackets every meter on the straight lengths, and 2 or 3 per curve. For the transfer of heavy products, or 20 x 10 profiles, the intervals can be reduced.



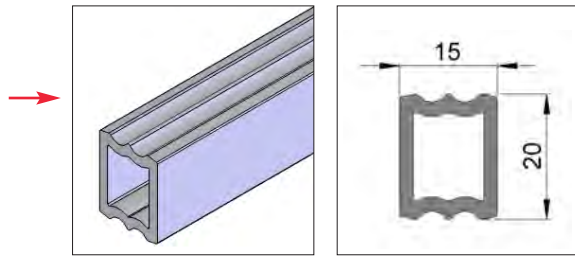
### Profile FGRRF 3x20x15

Natural anodised aluminium

Packaging: 3m bar

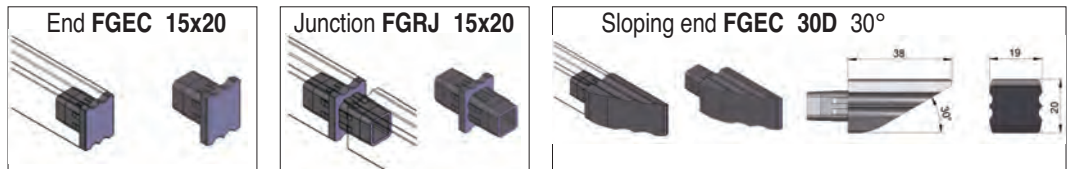
Used

- alone
- covered with protection profiles below



### Grey plastic ends

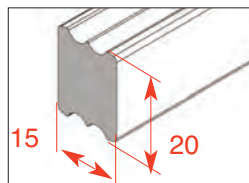
(Machined HDPE or moulded nylon)



### Flexible profile FGRR 3x20x15P

for adjustable curves

Grey machined PE in bars of 3m.

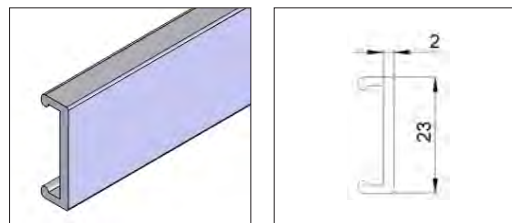


Mounting of these profiles by clamps or FGRA or FGRB brackets

### Protection profiles in bars of 3m.

For FGRR-3x20x12 & FGRR-F-3x20x15 profiles; they prevent wear of the rail and direct contact of the products with the aluminium.

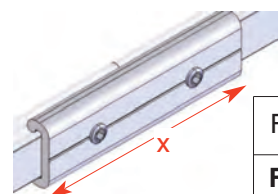
	material	H
<b>FGRT 3x23</b>	Grey HDPE	23
<b>FGRT 3x23A</b>	White anti-static HDPE	



	material	H
<b>FGRT 3x33</b>	Grey HDPE	33
<b>FGRT 3x33A</b>	Grey anti-static HDPE	
<b>FGRT 3x50</b>	Grey HDPE	50



Colourless anodized aluminium fish plates, for joining FGRRF-3x20x15, FGRR 3x20x15P, FGRR 3x20x10, FGRR 3x20x10B, FGRR 3x20x10F, FGRR 3x20x10P and FGRR 3x20x10T



Fish plate	X
<b>FGRC 60</b>	60
<b>FGRC 100</b>	100

Including grub screws.  
Profile also available by the meter.

### Internal fish plate FBGS 13x50

for joining

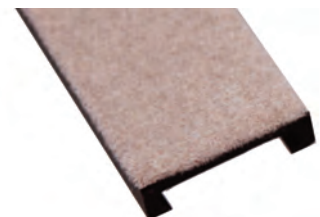
- FGRR 3x20x12
- AT30
- AC2A8



### Flocked lateral guides:

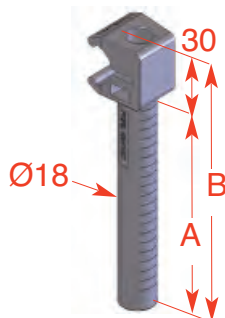
Production to order

Acetal flocked POM Profiles



### Single vertical guide holder

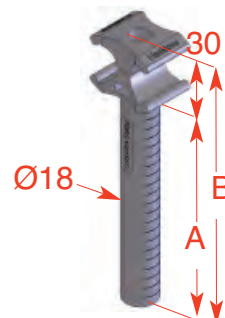
Material: PA6



Single guide Reference	A	B	ØM5 fastenings
<b>FGRL 18x110C</b>	110	140	<b>Zinc plated steel</b>
<b>FGRL 18x160C</b>	160	190	
<b>SGRL 18x110C</b>	110	140	<b>Stainless steel</b>
<b>SGRL 18x160C</b>	160	190	

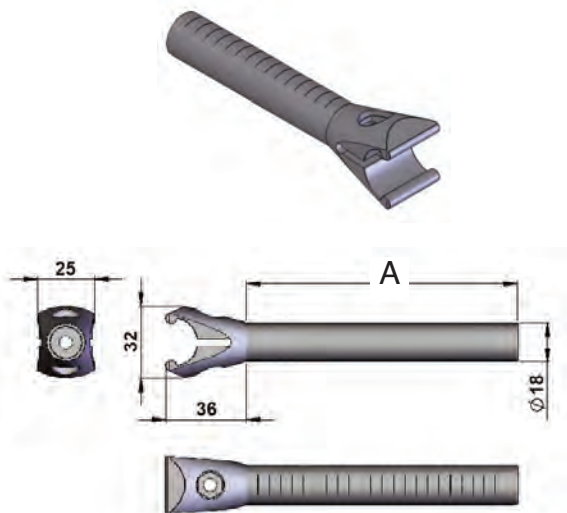
### Double vertical guide holder

Material: PA6



Double guide Reference	A	B	ØM5 fastenings
<b>FGRC 18x110C</b>	110	140	<b>Zinc plated steel</b>
<b>FGRC 18x160C</b>	160	190	
<b>SGRC 18x110C</b>	110	140	<b>Stainless steel</b>
<b>SGRC 18x160C</b>	160	190	

### Plastic guide holder pin

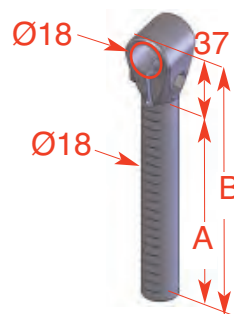


Reference	A	ØM5 fastenings
<b>FGRK 18x40A</b>	40	<b>Zinc plated steel</b>
<b>FGRK 18x60A</b>	60	
<b>FGRK 18x80A</b>	80	
<b>FGRK 18x130A</b>	130	
<b>SGRK 18x80A</b>	80	<b>Stainless steel</b>
<b>SGRK 18x130A</b>	130	

### Guide holder bracket

Enables vertical adjustment of the Ø18 pin of the guide holder by tightening with an M5 screw provided.

Material: PA6

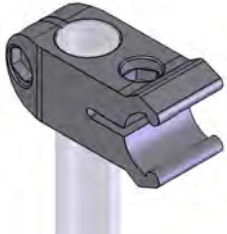


Reference	A	B	ØM5 fastenings
<b>FGRL 18x110CA</b>	110	147	<b>Zinc plated steel</b>
<b>FGRL 18x160CA</b>	160	197	
<b>SGRL 18x110CA</b>	110	147	<b>Stainless steel</b>
<b>SGRL 18x160CA</b>	160	197	

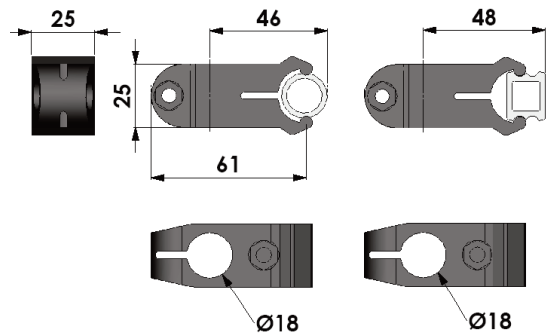
## Height and width adjustable brackets with assembly sheave Aluminium bracket FGRB 22x63

### Guide holder clamp in PA6 between

- vertical tube  $\varnothing 18$
- lateral guide **FGRR-3x20**
- or tube  $\varnothing 18$  **FGGR** or **SGRR** below



Reference of the clamp	Fastenings
<b>FGRS 18</b>	Zinc plated steel
<b>SGRS 18</b>	Stainless steel

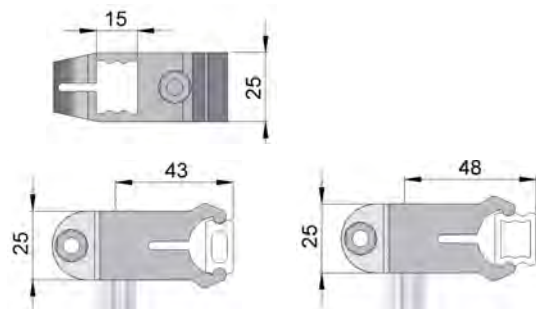


### Guide holder clamp in PA6 between

- vertical profile **FGRRF 3x20x15**
- lateral guide **FGRR-3x20x10** or **FGGRF 3x20x15**

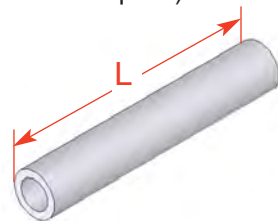


Reference of the clamp	Fastenings
<b>FGRS 15x20</b>	Zinc plated steel



### Aluminium tube $\varnothing 18/13$ :

- **FGGR 3x18** (L. 3m can also be used as a lateral guide)
- **FGGR 18xL** (L=length to order request)



### Stainless steel tube $\varnothing 19$ :

- **SGGR 3x19** (L. 3m, lateral guide)

Stainless steel tube  $\varnothing 19$  cut to length:

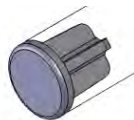
- **SGGR 19x150** (L. 150 mm)
- **SGGR 19x200** (L. 200 mm)

Other lengths to order

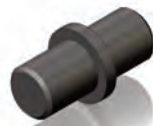


### End plug **FGEC 18**

For tube above



### Junction **FGRJ 18x18**



### End plug **SGEC 19**

Junction **SGRJ 3x19**

for tube above

### Guide holder **FGRK 18CE**

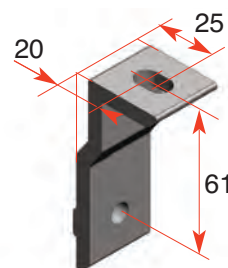
Used with the tube  $\varnothing 18$  **FGGR 3x18** (aluminium), enables the creation of guide holders of all sizes.

Material: PA6



### Aluminium brackets **FGRB 22x63**

Usable for example as a guide bracket under a slat.



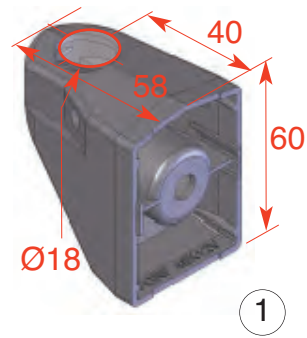


## xGRF brackets & spacers

### Moulded guide holders

Clamping system by means of an M6 screw  
Bracket attachment to the aluminium profile,  
by Ø M8 mm nuts and bolts sold separately.  
Material: PA6

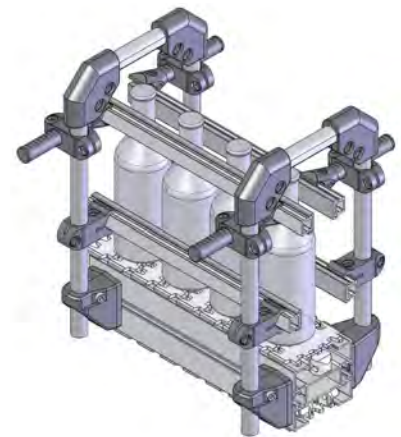
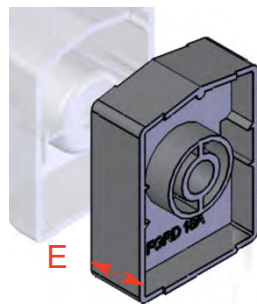
Reference	Material	Fastenings	Figure
<b>FGRF 42x18V</b>	plastic (PA6)	Zinc plated steel	1
<b>FGRF 42x18VH</b>	zinc	Zinc plated steel	2
<b>SGRF 42x18V</b>	plastic (PA6)	Stainless steel	1



### Spacer

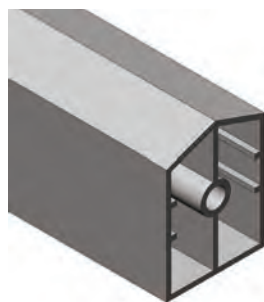
Material: PA6

Reference	E
<b>FGRD 6A</b>	6
<b>FGRD 18A</b>	18



### Aluminium profile FGRN 3U

for making a spacer.



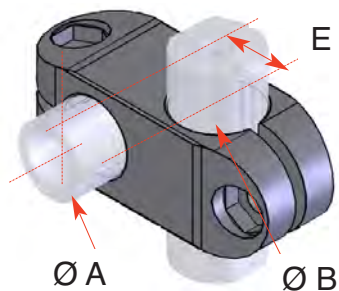
### Plastic plug FGRD 3D

Th.=3mm  
For profile below



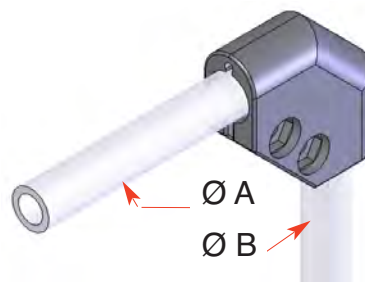
## Assembly sheaves and corner connectors

### Assembly sheave



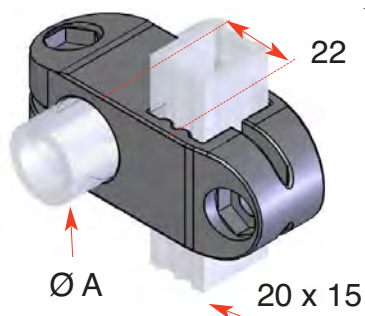
Reference	E	Ø A	Ø B	Fastenings
<b>EO 12x12</b>	16	12	12	<b>Stainless steel</b>
<b>FGRB 18x18</b>	22	18	18	<b>Zinc plated steel</b>
<b>FGRB 18x20</b>	22	18	20	
<b>FGRB 20x20</b>	22	20	20	
<b>SGRB 18x18</b>	22	18	18	<b>Stainless steel</b>
<b>SGRB 18x20</b>	22	18	20	
<b>SGRB 20x20</b>	22	20	20	
<b>EO 20x20</b>	25	20	20	

### Corner connector



Reference	Ø A	Ø B	Fastenings
<b>FGRX 18x18</b>	18	18	<b>Zinc plated steel</b>
<b>FGRX 18x20</b>	18	20	
<b>FGRX 20x20</b>	20	20	
<b>SGRX 18x18</b>	18	18	<b>Stainless steel</b>
<b>SGRX 18x20</b>	18	20	
<b>SGRX 20x20</b>	20	20	

### Assembly sheave

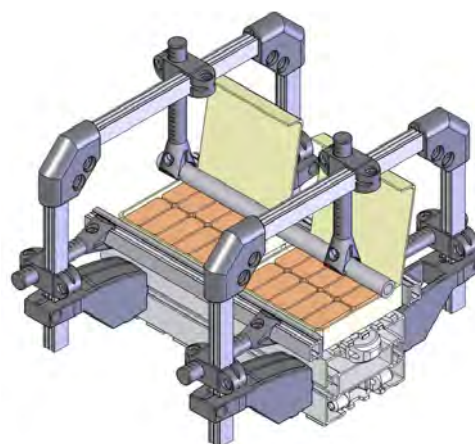
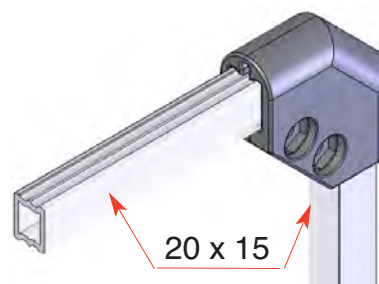


Reference	Ø A	Fastenings
<b>FGRB 18X20T</b>	18	<b>Zinc plated steel</b>
<b>FGRB 20X20T</b>	20	
<b>SGRB 18X20T</b>	18	<b>Stainless steel</b>

**NEW**  
2017-2

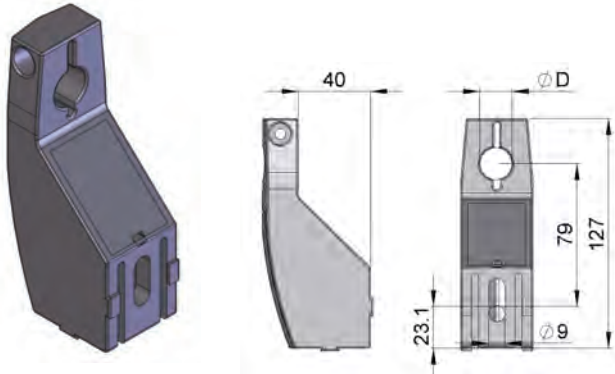
### Corner connector FGRX 15x20

for FGRRF 3x20x15; zinc plated steel fastenings



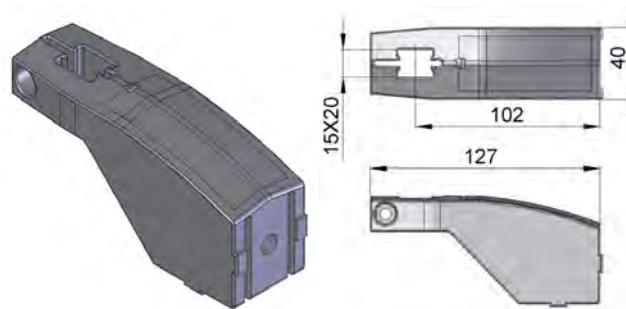
### Lateral guide bracket

or bar Ø 18 or Ø 20



### Lateral guide bracket

**FGRB 40x15x20** for FGRRF 3x20x15



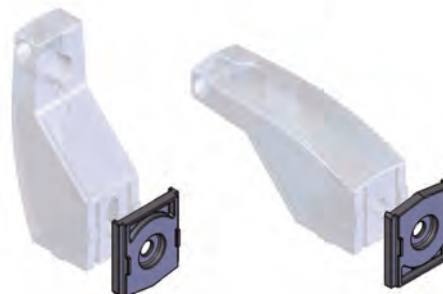
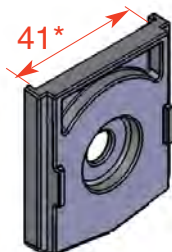
Reference	for bar Ø	Fastenings
<b>FGRB 40x18</b>	<b>18</b>	<b>Zinc plated steel</b>
<b>FGRB 40x20</b>	<b>20</b>	
<b>SGRB 40x18</b>	<b>18</b>	<b>Stainless steel</b>
<b>SGRB 40x20</b>	<b>20</b>	



### Spacer FGRD 6B thickness 6.3mm

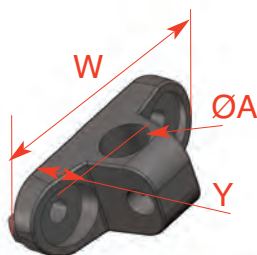
for brackets FGRB-40...

\* the groove provides anti-rotation for the brackets of guides xGRB 40



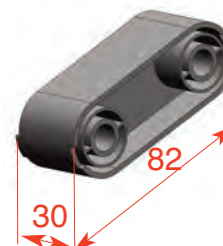
### Moulded guide bracket

Clamping system by means of an M6 screw. To fix the bracket to the aluminium profile, use ØM8 mm nuts and bolts sold separately. Material: PA6



### Spacer FGRD 30B

for FGRF 40x18  
thickness 30mm  
2 holes Ø 9 centre distance 52  
Material: PA6



Reference	for bar ØA	W	Y	Fastenings
<b>FGRF 40x18</b>	<b>18</b>	<b>82</b>	<b>17</b>	<b>Zinc plated steel</b>
<b>FGRF 40x12</b>	<b>12</b>	<b>56</b>	<b>20</b>	



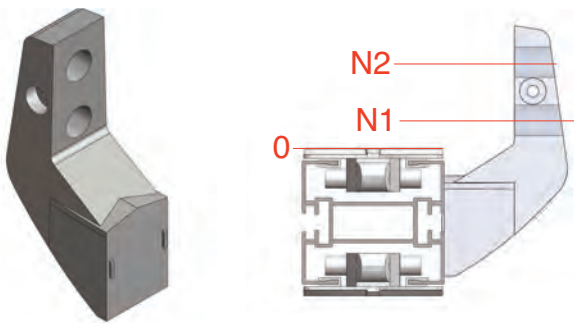
## Guide for FGRF moulded brackets

(1, 2 or 4 levels)

### 2 level lateral guide bracket

for bar Ø 18

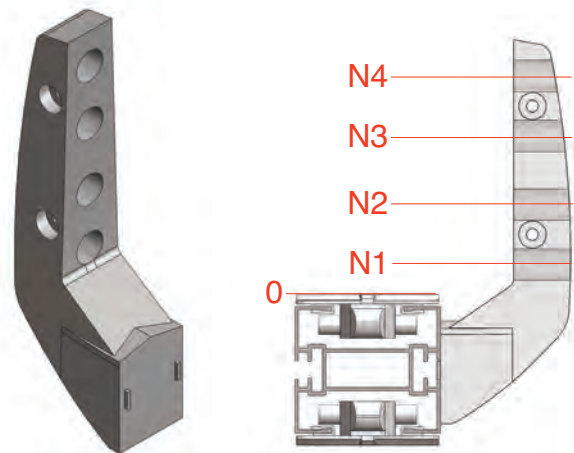
Reference	Fastenings
<b>FGRF A35</b>	<b>Zinc plated steel</b>
<b>SGRF A35</b>	<b>Stainless steel</b>



### 4 level lateral guide bracket

for bar Ø 18

Reference	Fastenings
<b>FGRF A110</b>	<b>Zinc plated steel</b>
<b>SGRF A110</b>	<b>Stainless steel</b>



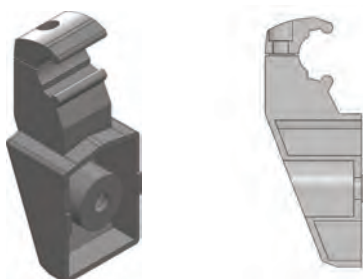
	Pin heights above the chain	
	N1	N2
FK and FS	26	61
FM-FC-FL	19	54
F2-	23	58

	Pin heights above the chain			
	N1	N2	N3	N4
FK and FS	26	61	101	136
FM-FC-FL	19	54	94	129
F2-	23	58	98	133

### Single level lateral guide bracket

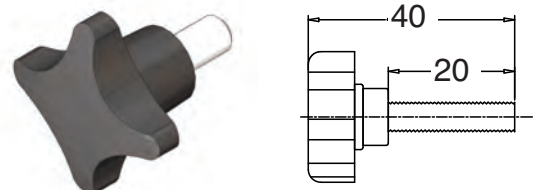
(plastic) for bar Ø 18

Reference	A	B
<b>FGRB 11x30C</b>	11	30
<b>FGRB 16x42C</b>	16	42
<b>FGRB 16x54C</b>	16	54
<b>FGRB 40x42C</b>	40	42



### Tightening knob FGAR 6x20

for lateral guide brackets ...GRF-A...



### Plug FGRF DP

for lateral guide brackets ...GRF-A...



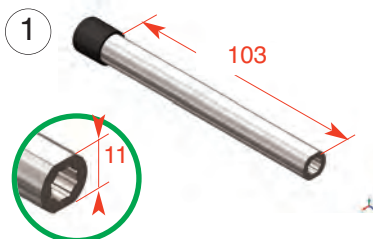
## Pins Ø12 for brackets GH5 Combined pins and clamps Guide holder clamps

Stainless steel pin  
**AF703CC**  
Ø 12 threaded M8

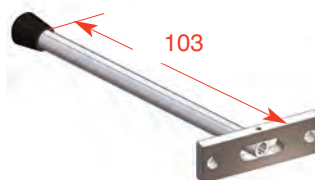


Ø 12 pins threaded M8

Reference	Material	Fig
<b>AF12/8 120CC</b>	Aluminium	1
<b>AF720CC</b>	Stainless steel Ø12	



Aluminium pin **AFPOCC**  
Ø 12 with swivel plate  
(80x25x8 + 2 holes Ø8.5)



**End-CCD12**  
For pins Ø12



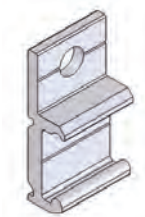
### Combined pins and clamps

Reference	Pin Ø	L	Guide: bar Ø	Materials	Figure
<b>AF710CC</b>	12	120	10	S/s pin, PA clamp	1
<b>AF712CC</b>	12	120	12		
<b>SGRK 12x80A</b>	18	80	12	Pin and PA clamp, s/s fastenings	2
<b>SGRK 12x130A</b>	18	130	12		



### Guide holder clamp **FGRC 20**

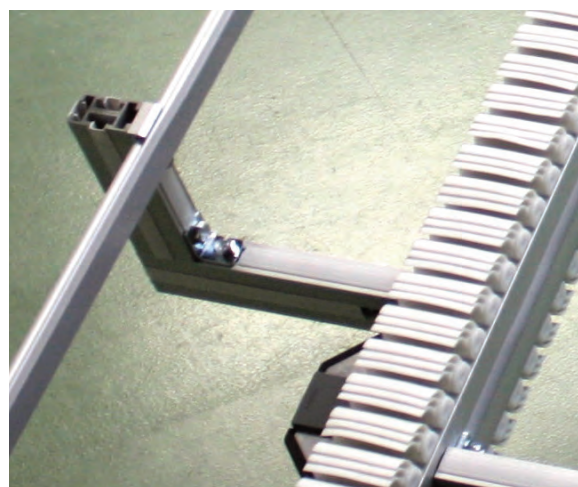
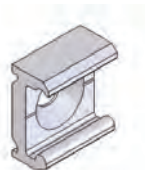
also used to fix  
a cell to the 20x10 or  
20x15 profile  
hole Ø 8.5  
Material: Aluminium



### Guide holder clamp **FGRC 20A**

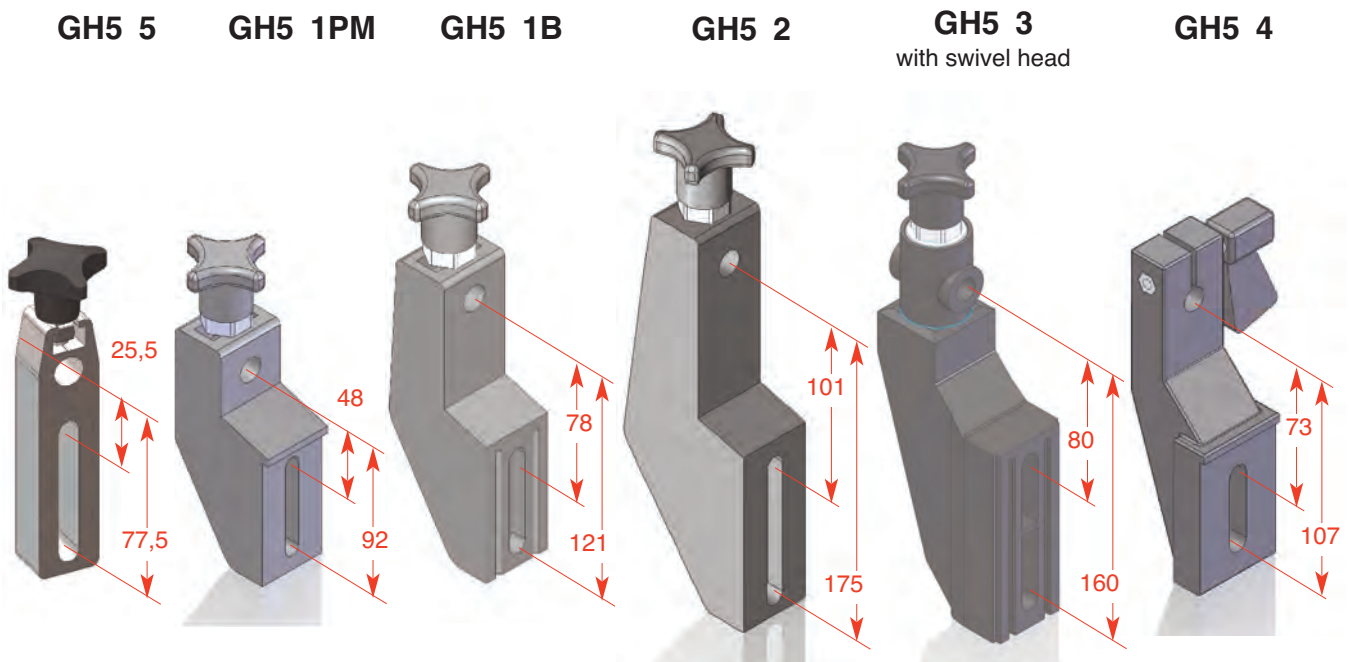
for 20x10 or 20x15 profiles,  
hole for M8 screw F/45°

Material: Aluminium

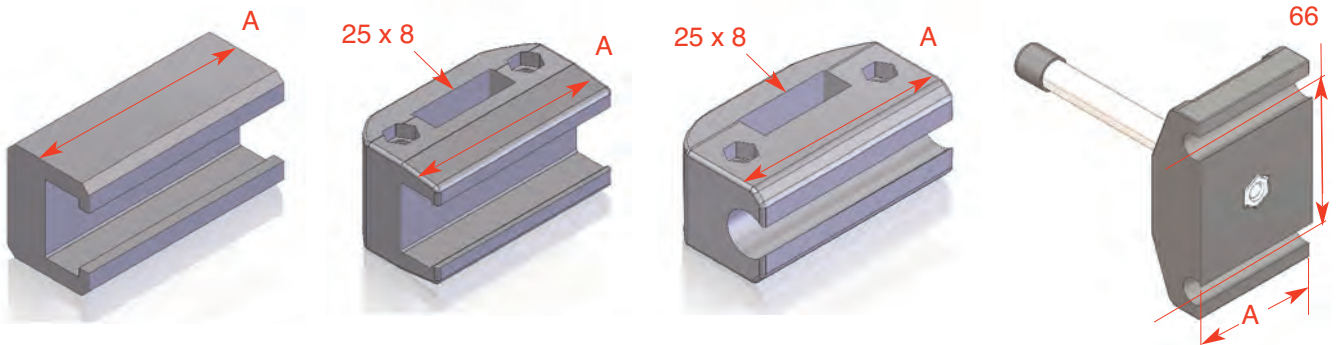


## Product guide Adjustable in height and width Moulded brackets GH5, plastic clamps

### Lateral guide brackets GH5... for bar Ø 12



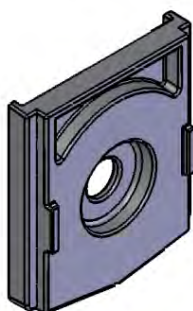
### Plastic clamps



Reference	EL 30	EL 60	EL 92	EL 72	PSR 66 104 CC
A	30	60	59	59	54
material	machined POM		moulded PA6	moulded PA6	moulded PA6 + s/s bar Ø12
for	frames C2010...		frames C2010...	S/s bar Ø12	S/s bar Ø12

### Spacer FGRD 6B

th. 6mm for brackets GH5.  
This shim also performs the anti-rotation function for the bracket with Flexmove and Flextoo conveyors



### Thrust collars for lateral guiding or motor shafts or conveyor idlers



Référence	A
BAGUE D ARRET D12	Ø12
BAGUE D ARRET D20	Ø20
BAGUE D ARRET D25	Ø25
BAGUE D ARRET D30	Ø30
BAGUE D ARRET D40	Ø40
BAGUE D ARRET SQ40	40x40



## Accessories for Robur® and Cobral® conveyors Attachment in the side groove

The connection with these conveyors is by attachment in the dovetail groove, by an aluminium clamp, a moulded plastic clamp or a dovetail nut.

### Anodized aluminium clamps

thickness 25.4

These clamps allow

- many possibilities of machining (drilling, etc.)
- larger lateral forces.

The clamps can be clipped over the groove cover. Stainless steel Ø M8 screws. Tapped holes Ø M8.

Reference	A	Figure
R1 SL32-SL40	40	1
R1 SL32-SL50	50	
R2 SL32-SL40	40	2
R2 SL32-SL50	50	

### Plastic clamps,

Clamps can be clipped over the groove cover.

Stainless steel fastenings Ø M8

- moulded for lateral guide brackets.

Reference	A	Figure
R1 SL1/21.5M	25	3
R2 SL1/17M	40	4

- machined from black acetal for the cell bracket, reflector bracket, etc...

Reference	H	for Robur/Cobral	Figure
R2 SL2-H65	65	low height	5
R2 SL2-H86	86	standard height	

### Spacers R2 SLA...

Spacer for R2SL1/17, figure 5

(E= 8, 13, 18, 20, 23, 28, 30, 33, 38, 40, 48)

### Nuts for dovetail

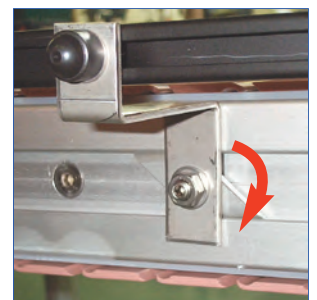
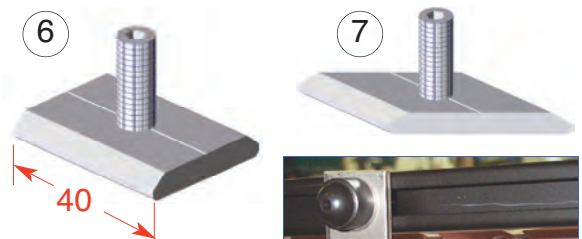
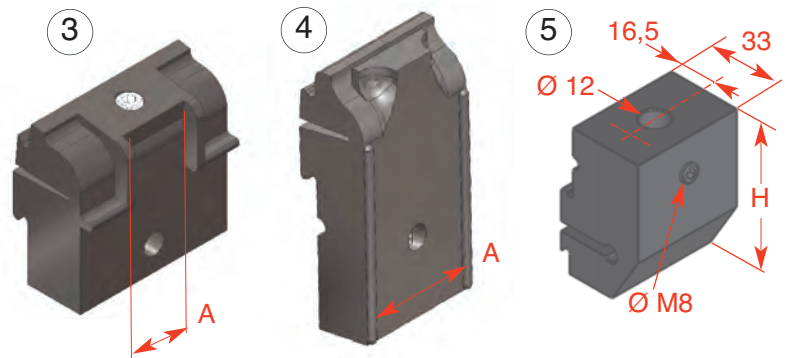
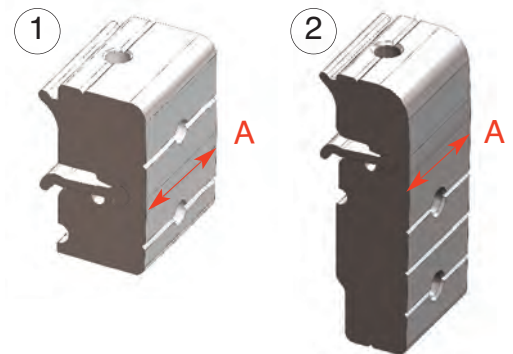
for Robur & Cobral conveyors

These nuts allow accessories to be installed while saving space and cost. Central tapped hole. The fitting is generally done using an HC screw (headless) locked in the bottom of the dovetail.

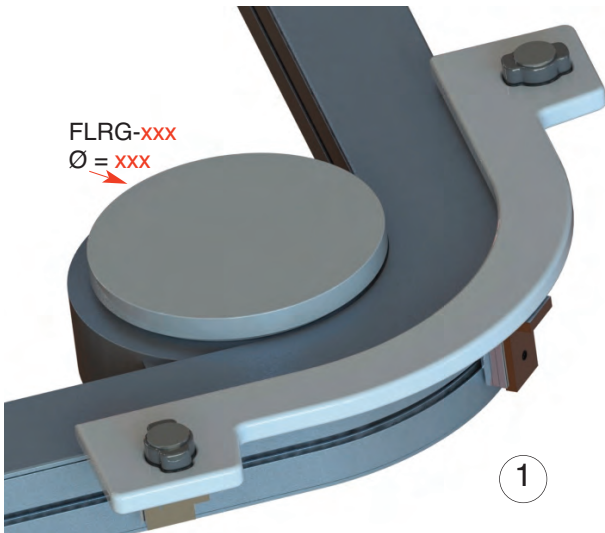
The assembly [screw + nut] then behaves like a stud.

The installation of the groove covers is only possible between these nuts. Screws not included

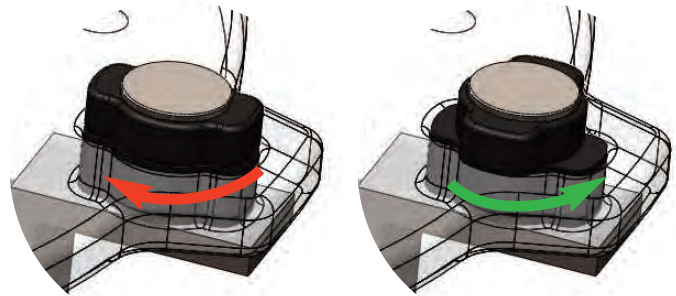
Reference	material	Ø thread	use	figure
ECQA 40 M6	aluminium	M6	to thread	6
ECQA 40 M8	aluminium	M8		
ECQA 40 M8 STEEL	steel	M8		
ECQA/45 M6	aluminium	M6	to rotate	7
ECQA/45 M8	aluminium	M8		
ECQA/45 M8 STEEL	steel	M8		



Our quick dismantling product guiding system guides your products over all the ranges of conveyors. Its Rotobloc locking system facilitates you changes in format and reduces your intervention time. Different colours of guides make it possible to match them with the other tools of the format of the line. The format parts are designed by our design office. Do not hesitate to consult us for all your needs. The **locking / unlocking** works by rotating fixing knobs. The ROTOBLOC system is also available for your **format tools on your packaging machines**.



1



Examples:

Figure 1:

- ROTOBLOC curve outside guide
- Guide plate nested on the hub of the curve with wheels.

Figure 2:

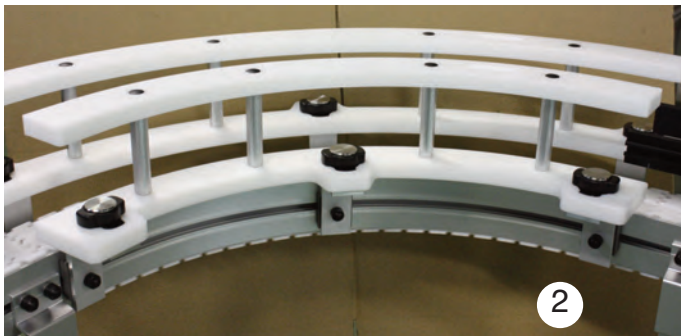
- 2 pairs of quick dismantling ROTOBLOC curved guides adapted to each side of a Flexmove conveyor.

Figure 3:

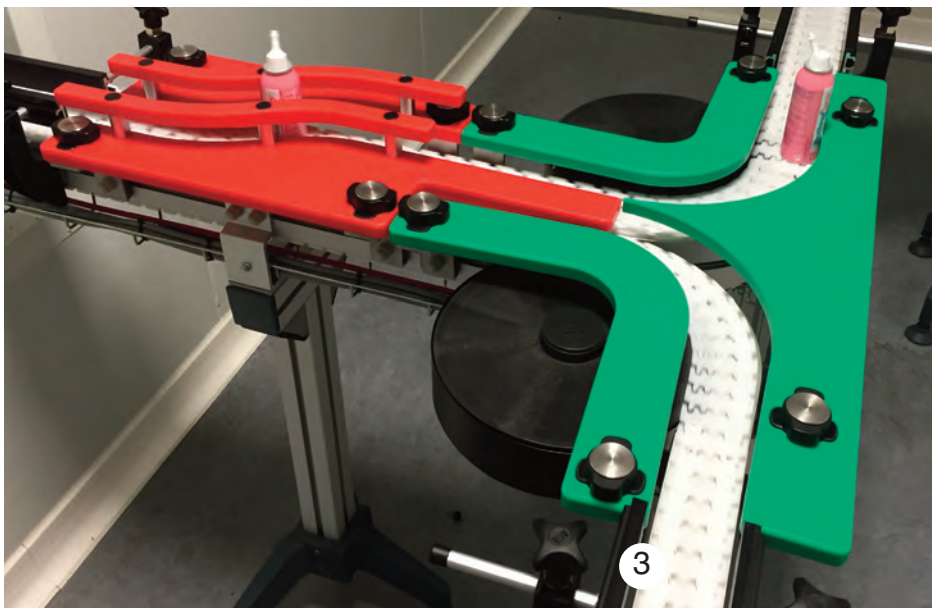
- 1 pair of quick dismantling ROTOBLOC with brackets for guides of other formats.

Figure 4:

- Flexmove curves with wheels equipped with 2 stage guides.
- Outside of curves with 1 or 2 level ROTOBLOC guides.



2



3



4

**Nuts** (in zinc coated steel, packed in boxes of 50 pieces)

	Squares for T-shaped grooves	Lozenge	Rectangle	Rocking	Ball	Clip-on with leaf spring	With integral lock washer	
Ø M	* of Flextoo® conveyors ** of Flexmove conveyors (except F45)	C	for T-shaped grooves	for F45 CB3		for TC44, TC64, TC44x88, TC64, TC88	for F45 CB3	
4	<b>FASN M4</b>	20			<b>ECB 4</b>			
5	<b>FASN M5</b>	20			<b>ECB 5</b>	<b>FCAN 5</b>	<b>F45AN M5B</b>	
6	<b>FASN M6B</b> (Dicke 4)**	19	<b>FAHN M6</b>	<b>F45RN M6</b> (25x12x5)	<b>F45AN M6</b> (16x11)	<b>ECB 6</b>	<b>FCAN 6</b>	<b>ECROU TWOLOCK M6</b>
	<b>FASN M6 25</b>	25						
8	<b>FASN M8</b>	20	<b>FAHN M8</b>			<b>ECB 8</b>	<b>FCAN 8</b>	<b>ECROU TWOLOCK M8</b>
	<b>FASN M8 25</b>	25						

### CACHE VIS FHC

FHC SCREW COVER

Exists for  
FHCm6 colour grey or black  
FHCm8 colour grey or black



### CACHE-ECROU HM6 CACHE-ECROU HM8

colour grey or black



### Square head and hammer head screws M8

(Packed in boxes of 50 or 100 pieces)

for T-shaped grooves. The square head fits into the groove during assembly, the hammer head can be inserted without dismantling.

Length	Square head	Hammer head	
	Zinc plated steel	FATB	FATBX
17		<b>FATB 17</b>	<b>FATBX 17</b>
20	<b>FASB 20</b>	<b>FATB 20</b>	<b>FATBX 20</b>
24		<b>FATB 24</b>	<b>FATBX 24</b>
35	<b>FASB 35</b>	<b>FATB 35</b>	<b>FATBX 35</b>
53		<b>FATB 53</b>	<b>FATBX 53</b>
71		<b>FATB 71</b>	<b>FATBX 71</b>

--	--

### Aluminium tube Ø20-17/flats FGDT:

•FGDT 3x20 (L. 3m)

In stock, M8 threaded parts, ready to fit:

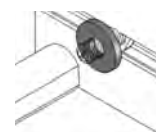
- FGDT 80 (L 80 mm)
- FGDT 100 (L100 mm)
- FGDT 150 (L150 mm)
- FGDT 200 (L200 mm)



### Bolts of type FHC 20



### ROUSEEPEPAB/8/20

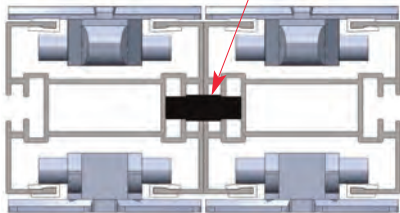




### Spacers for juxtaposition of conveyors

For T-shaped groove  
(Flexmove / Flextoo)

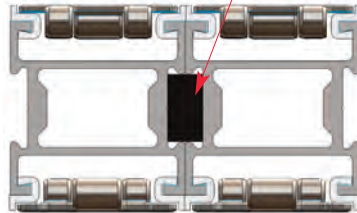
Reference **CJF2 FM**



### Spacers for juxtaposition of conveyors

For dovetail (Robur / Cobral)

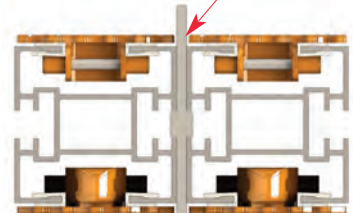
Reference **CJR C**



### Separation profile between conveyors

(Flexmove / Flextoo)

Reference **FGCD 3**  
unitary length 3m.

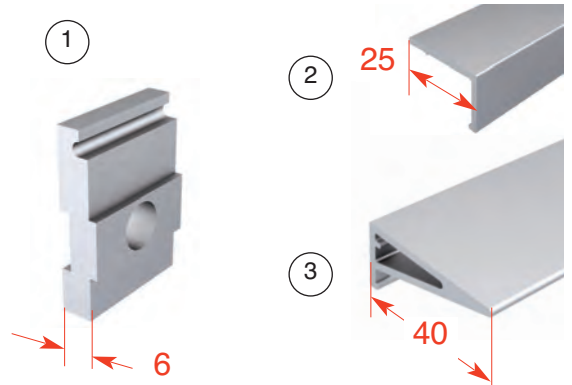
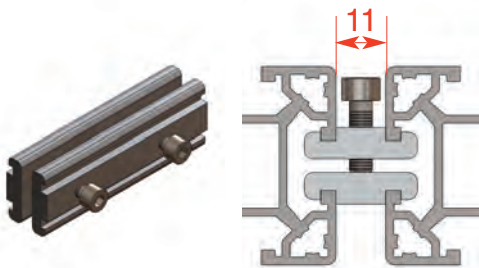


**NEW**  
2017-1

Stabiliser	Reference	Figure
Mounting shim	<b>FGRD 6P</b>	1
Tablets unitary L 3m	<b>FSRP 3</b>	2
	<b>FCRP 3</b>	3
Curved tablets		
90° for FSWB 90R150A	<b>FSRM90</b>	2
90° for FCWB 90R170A	<b>FCRM90</b>	3
180° for FSWB 180R150A	<b>FSRM180</b>	2
180° for FCWB 180R170A	<b>FCRM180</b>	3

### Juxtaposition clips

	Reference
Between structural tubes	<b>FBFP 75</b> (Zyl.Schraube Innenskt. M6x15)



### Soft wheels Ø75

for contact with products transported by inclined conveyors, central hole Ø8.5

Material	Reference
Foam	<b>FASR 75x15M</b>
Soft PVC	<b>FASR 75x19P</b>



### Swivel stops

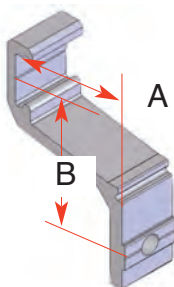
Examples of production



**CONICAL STOP**  
for light loads



**SWIVEL STOP**  
for heavy loads

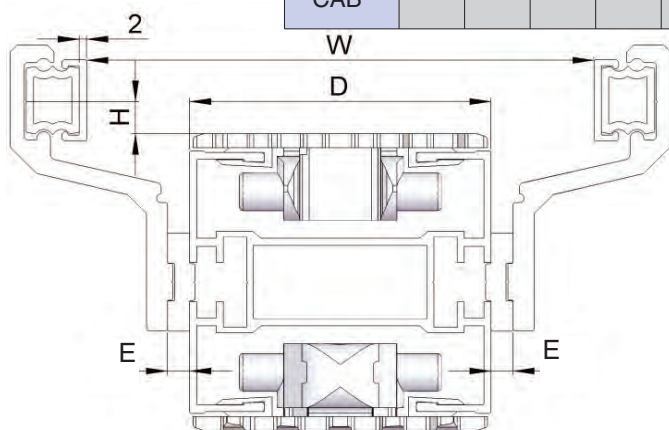


### Aluminium brackets FGRB...

- for
- FGRRF 3x20x15 ,
  - FGRRF 3x20x10 and
  - FGRRF 3x20x12
- FGAP-25** pin included

FGRB-...	11x30	23x30	35x30	48x30	29x36	16x42	28x42	40x42	49x42	53x42	65x42	90x42	16x54	40x54	65x54
A	11	23	35	48	29	16	28	40	49	53	65	90	16	40	65
B	39				45	51						63			
Conveyor	W1***					Passage width W* (E=0)									
FK	45	56	80	106	68	42	66	91	108	116	140	190	42	91	140
FS	65	76	100	126	88	62	86	111	128	136	160	210	62	111	160
FM							106	131	148	156	180	230	82	131	180
FC							126	151	168	176	200	250	102	151	200
FL							171	191	208	216	240	290	142	191	240
F2-750						224	248	272	290	298	322	372	224	272	322
F2-1200						339	363	387	405	413	437	487	339	387	437
F2-1500						415	439	463	481	489	513	563	415	463	513
F2-1800						491	515	539	557	565	589	639	491	539	589
F2-2400						644	668	692	710	718	742	792	644	692	742
CAB 6						163	187	211	229	237	261	311	163	211	261
CAB 9						240	264	288	306	314	338	388	240	288	338
CAB 12						316	340	364	382	390	414	464	316	364	414
CAB 15						392	416	440	458	466	490	540	392	440	490
CAB 18						468	492	516	534	542	566	616	468	516	566
CAB 21						544	568	592	610	618	642	692	544	592	642
CAB 24						621	645	669	687	695	719	769	621	669	719
<b>Guide height H above chain plane</b>															
FK and FS	3 (not usable on inside of curves with wheels)				9	14						26			
FM-FC-FL						7						19			
F2-						11						23			
CAB*						16 (CAB), 18 (CAB-SB)						28 (CAB), 30 (CAB-SB)			

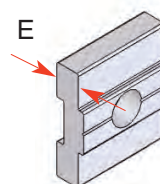
\*Height H:  
 • above balls for CAB (with QNB- Ball belt)  
 • for CAB-SB, with smooth belt or belt with pitch of 25.4



### Spacers

other thicknesses to order

Reference	E
<b>FGRD 6</b>	6.3
<b>FGRD 10</b>	10
<b>FGRD 12</b>	12
<b>FGRD 15</b>	15
<b>FGRD 20</b>	20
<b>FGRD 30</b>	30

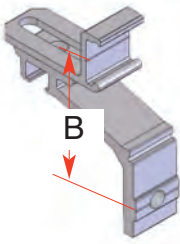


\*Passage width with FGRRF-3x20x15 covered with plastic profile FGRT-3x23, without spacers (E=0).

Width corrections for other combinations:		Compatible with FGRB-...			
		...11x30 to 48x30	...29x36	...16x42 to 90x42	16x54 & 40x54
• FGRRF 3x20x15 not covered:	W + 3 mm	✓	✓	✓	✓
• FGRR 3x20x12 covered:	W + 6 mm	✗	✗	✓	✓
• FGRR 3x20x12 not covered:	W + 9 mm	✓	✓	✓	✓
• FGRR 3x20x10:	W + 13 mm	✓	✓	✓	✓

\*\*\* For bracket FGRB 11x30 only profile FGRR-3x20x10 can be used, dimension W1 gives the corresponding passage width. For Flextoo® and CAB conveyors the height H is measured with the bracket fixed in the top groove.

**NEW**  
2017-2

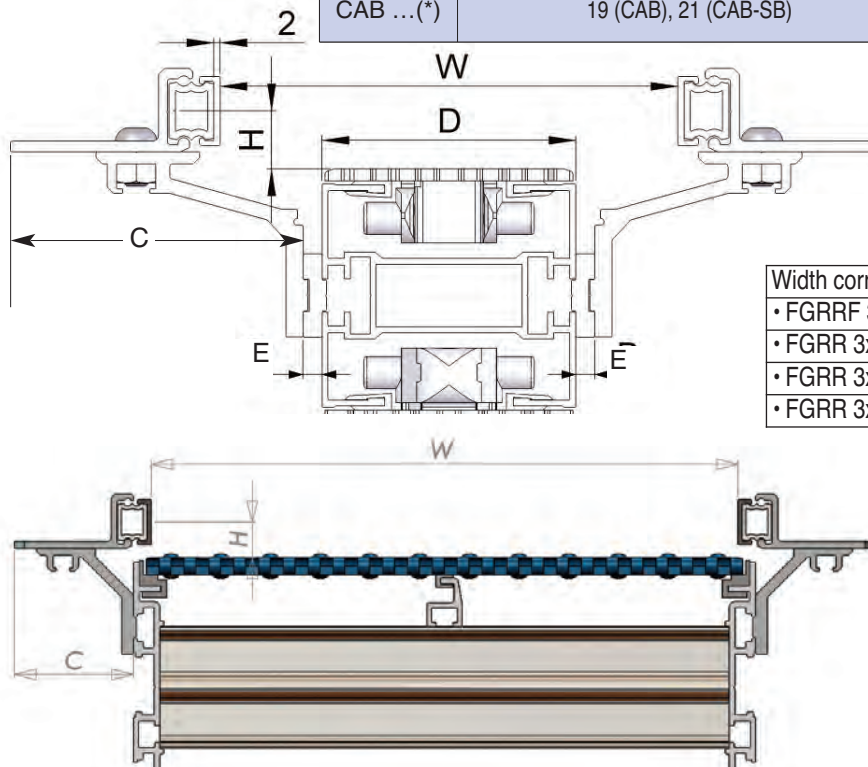


### FGRA... adjustable aluminium brackets

- for
- FGRRF 3x20x15 ,
  - FGRRF 3x20x10 and
  - FGRRF 3x20x12
- FGAP-25** pin included

FGRA-...	8x9x45	8x39x45	26x9x45	26x39x45	16x30x52	41x9x52	41x30x52	16x30x64	
C max.	23	62	49	73	75	75	100	75	
B	54				61				
Conveyor	Passage width W* (E=0)								
FK	9 - 27	0 - 29	45 - 61	0 - 51	0 - 43	57 - 101	33 - 105	0 - 43	
FS	29 - 47	0 - 49	67 - 82	0 - 71	3 - 63	77 - 121	53 - 125	3 - 63	
FM			85 - 101		23 - 83	97 - 141	73 - 145	23 - 83	
FC			105 - 121		43 - 103	117 - 161	93 - 165	43 - 103	
FL			150 - 166		88 - 148	162 - 206	138 - 210	88 - 148	
F2-750	191 - 209	135 - 211	227 - 243	155 - 233	165 - 225	239 - 283	215 - 287	165 - 225	
F2-1200	306 - 324	250 - 326	342 - 358	270 - 348	280 - 340	354 - 398	330 - 402	280 - 340	
F2-1500	382 - 400	326 - 402	418 - 434	346 - 424	356 - 416	430 - 474	406 - 478	356 - 416	
F2-1800	458 - 476	402 - 478	494 - 510	422 - 500	432 - 492	506 - 550	482 - 554	432 - 492	
F2-2400	611 - 629	555 - 631	647 - 663	575 - 653	585 - 645	659 - 703	635 - 707	585 - 645	
CAB 6	133 - 151	76 - 146	168 - 186	112 - 182	94 - 154	168 - 200	144 - 204	94 - 154	
CAB 9	210 - 228	153 - 223	245 - 263	189 - 259	171 - 231	245 - 277	221 - 281	171 - 231	
CAB 12	286 - 304	229 - 299	321 - 339	265 - 335	247 - 307	321 - 353	297 - 357	247 - 307	
CAB 15	362 - 380	305 - 375	397 - 415	341 - 411	323 - 383	397 - 429	373 - 433	323 - 383	
CAB 18	438 - 456	381 - 451	472 - 491	417 - 457	399 - 459	473 - 505	449 - 509	399 - 459	
CAB 21	514 - 532	457 - 527	549 - 567	496 - 563	475 - 535	549 - 581	525 - 585	475 - 535	
CAB 24	591 - 609	534 - 604	626 - 644	570 - 640	552 - 612	626 - 658	602 - 662	552 - 612	
<b>Guide height H above chain plane</b>									
FK and FS	17				25				37
FM-FC-FL	11				18				30
F2-	15				22				34
CAB ... (*)	19 (CAB), 21 (CAB-SB)				26 (CAB), 28 (CAB-SB)				38 (CAB), 40 (CAB-SB)

- \*Height H:
- above balls for Cab (with QNB- Ball belt)
  - for CAB-SB,
  - with smooth belt or belt with pitch of 25.4



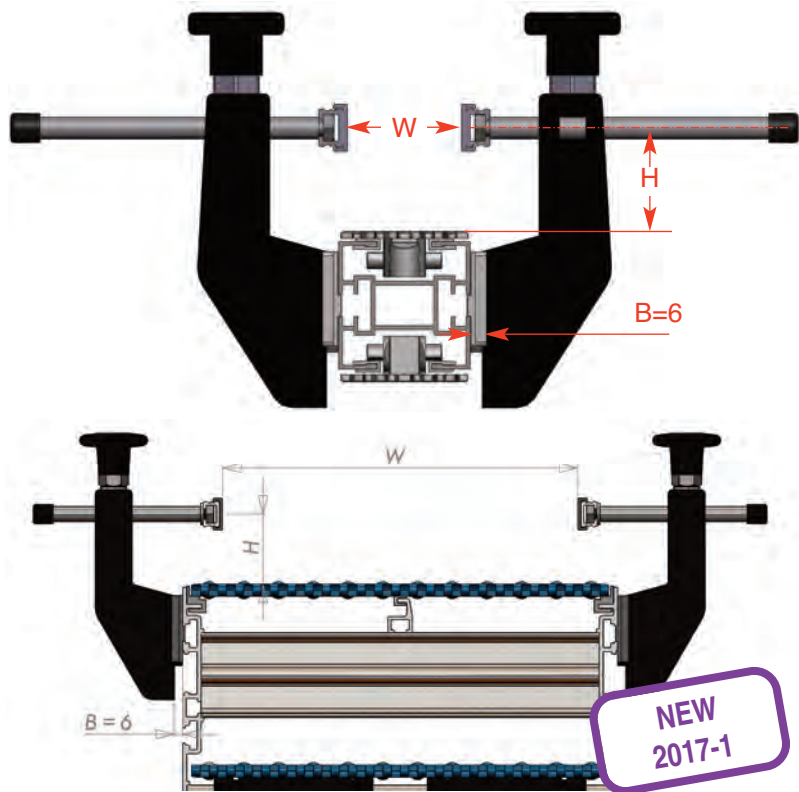
\*Configuration with FGRRF-3x20x15 covered with plastic profile FGRT-3x23, without spacers (E=0).

Width corrections for other combinations:	
• FGRRF 3x20x15 not covered:	W + 3 mm
• FGRR 3x20x12 covered:	W + 6 mm
• FGRR 3x20x12 not covered:	W + 9 mm
• FGRR 3x20x10:	W + 13 mm

In Flextoo®, and CAB conveyors the height H is measured with the bracket fixed in the top groove.

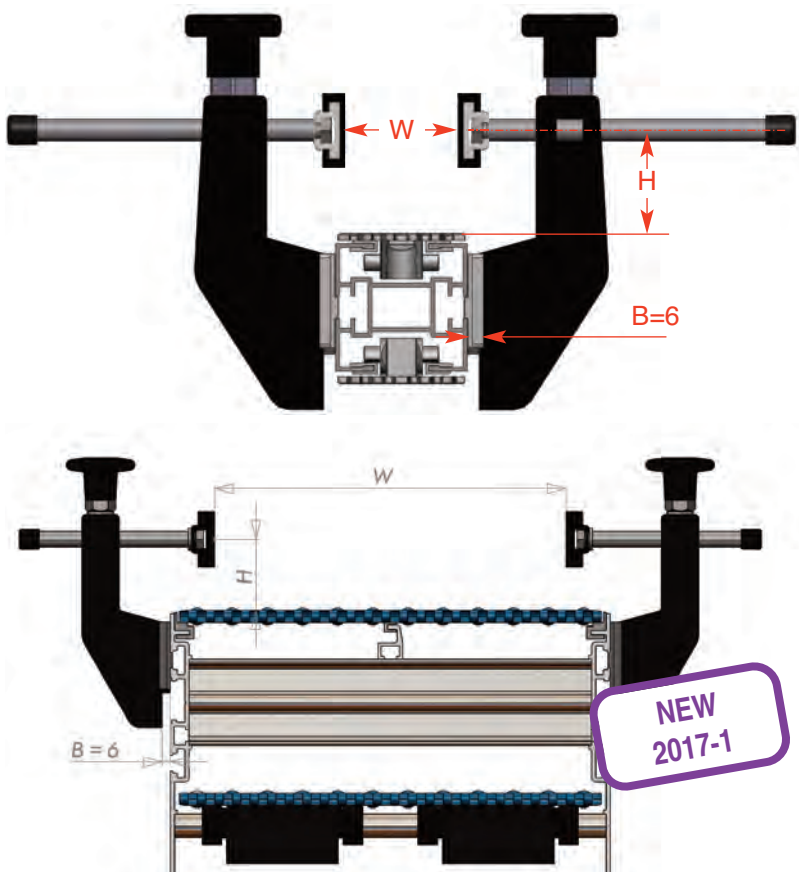


Use of the combination: spacer FGRD-6B, moulded bracket **GH5-1 PM** or **GH5-1B**, aluminium pin AF 12/8-120 CC, screw HM8-20 + washer, profile FGRR-3x20x12 covered FGRT 3x23 (or 3x33)



Bracket ->	GH5-1 PM		GH5-1B	
	W (with B=6)	H	W (with B=6)	H
FK	0 - 85	12,5 - 57,5	0 - 81	43,5 - 83,5
FS-SS	0 - 105		0 - 101	
FM-SM	0 - 125	12 - 51	0 - 121	37 - 77
FC-SC	4 - 145		5 - 141	
FL	47 - 190		50 - 186	
F2-750	124 - 267	12 - 55	127 - 263	41 - 81
F2-1200	239 - 382		242 - 378	
F2-1500	315 - 458		318 - 454	
F2-1800	391 - 534		394 - 530	
F2-2400	544 - 687		547 - 683	
CAB 6	53 - 207	12 - 56	45 - 207	41 - 86
CAB 9	130 - 284		122 - 284	
CAB 12	206 - 360		198 - 360	
CAB 15	282 - 436		274 - 436	
CAB 18	358 - 512		350 - 512	
CAB 21	434 - 588		426 - 588	
CAB 24	511 - 665		503 - 162	

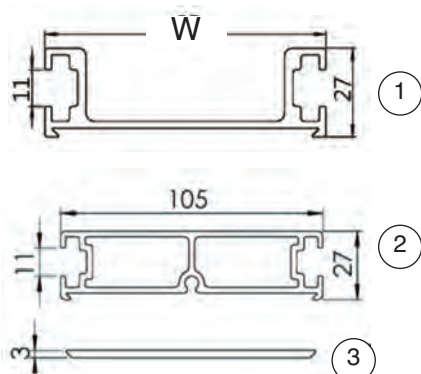
Use of the combination: spacer FGRD-6B, moulded bracket **GH5-1 PM** or **GH5-1B**, aluminium pin AF 12/8-120 CC, screw HM8-20 + washer, frame AT30 covered FD7-1AN



Bracket ->	GH5-1 PM		GH5-1B	
	W (with B=6)	H	W (with B=6)	H
FK	0 - 80	21 - 57,5	0 - 76	43,5 - 83,5
FS-SS	0 - 100		0 - 96	
FM-SM	0 - 120	21 - 51	0 - 116	37 - 77
FC-SC	4 - 140		5 - 136	
FL	47 - 185		50 - 181	
F2-750	124 - 262	21 - 55	127 - 258	41 - 81
F2-1200	239 - 377		242 - 373	
F2-1500	315 - 453		318 - 449	
F2-1800	391 - 529		389 - 525	
F2-2400	544 - 682		547 - 678	
CAB 6	48 - 201	12 - 56	40 - 201	41 - 86
CAB 9	125 - 278		117 - 278	
CAB 12	201 - 354		193 - 354	
CAB 15	277 - 278		269 - 430	
CAB 18	353 - 506		345 - 506	
CAB 21	429 - 582		421 - 582	
CAB 24	506 - 659		498 - 659	

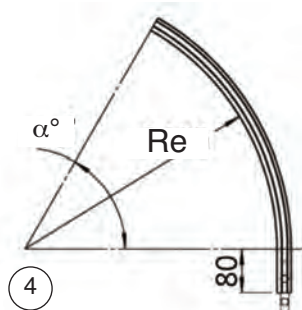
## Front guides for Flexmove

**NEW  
2017-1**

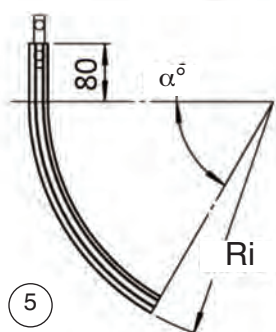


	Frame reference (unit length 3m)		Slip rail reference (unit length 2m)	W
for	Fig. 1	Fig. 2	Fig. 3	

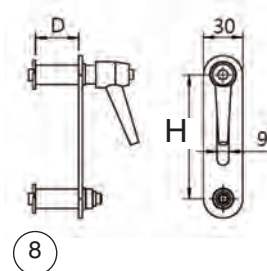
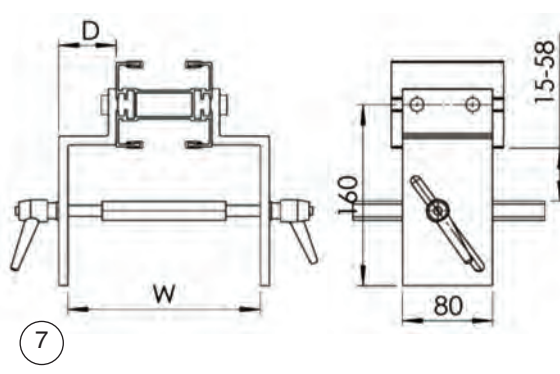
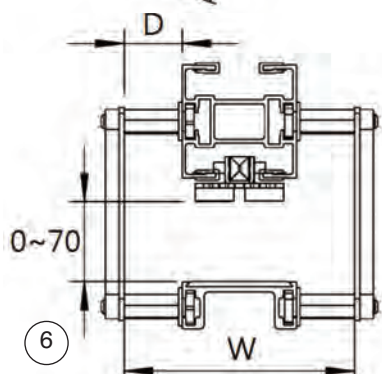
FS	<b>FSVF 3</b>		<b>FSVG 2</b>	65
FM	<b>FMVF 3</b>		<b>FMVG 2</b>	85
FC		<b>FCVF 3</b>	<b>FCVG 2</b>	105



Formed frame reference								
	Outside			Inside			Re	Ri
for	Fig. 4			Fig. 5				
$\alpha^\circ$	45°	60°	90°	45°	60°	90°		
FS	FSVA45R352	FSVA60R352	FSVA90R352	FSVC45R245	FSVC60R245	FSVC90R245	352	245
FM		FMVA60R460	FMVA90R460		FMVC60R335	FMVC90R335	460	335
FC		FCVA60R460			FCVC60R335			

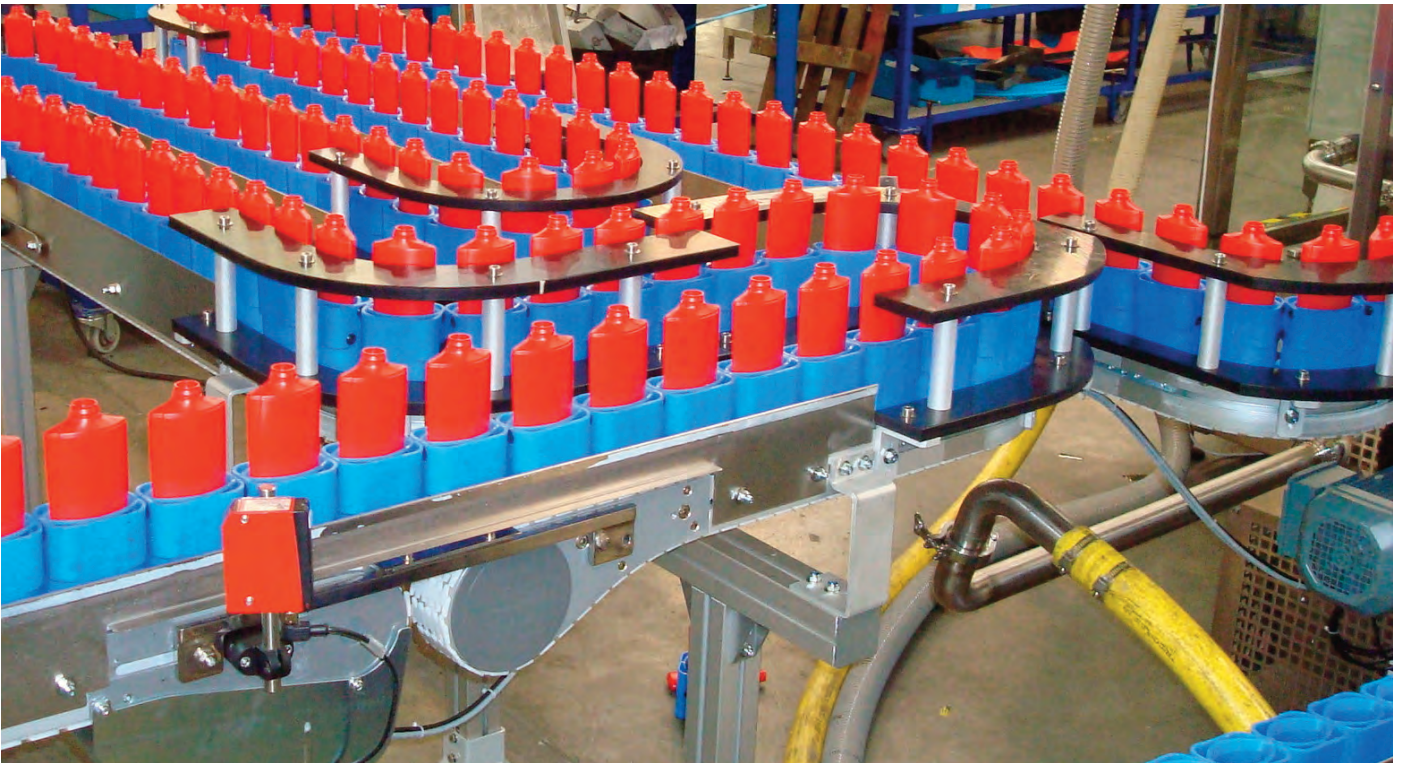


	Mounting kit		Bracket	W	D	H
for	Fig. 6	Fig. 7	Fig. 8			
FS	<b>FSVK33</b>		<b>FSVS33</b>	130	33	95
	<b>FSVK58</b>		<b>FSVS58</b>	180	58	
FM		<b>FCVK43</b>	<b>FCVS43</b>	170	43	150
		<b>FCVK93</b>	<b>FCVS93</b>	270	93	
FC		<b>FCVK43</b>	<b>FCVS43</b>	190	43	
		<b>FCVK93</b>	<b>FCVS93</b>	290	93	

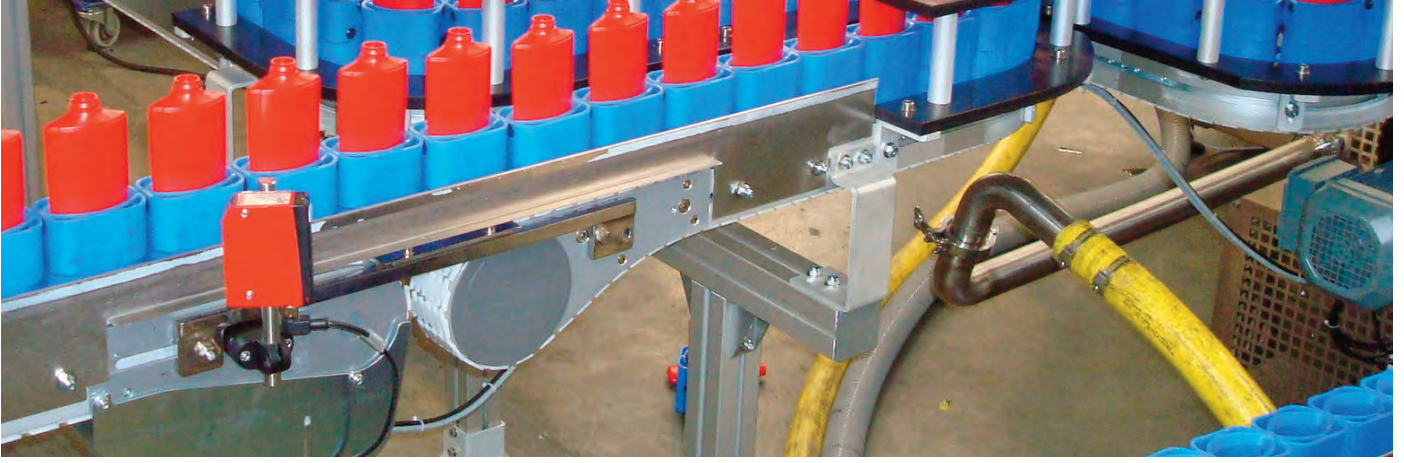




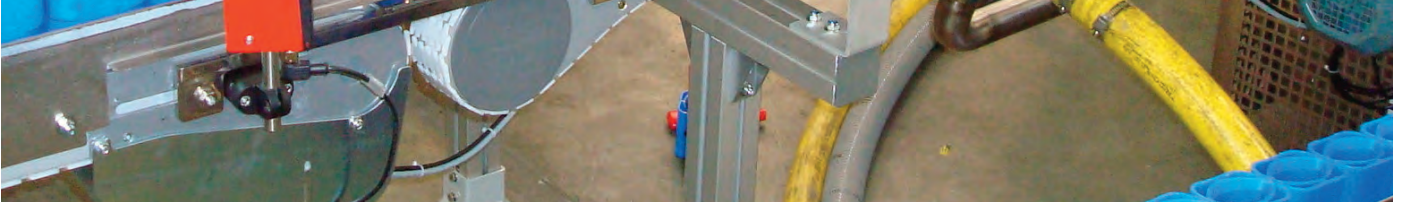
**Flexmove**



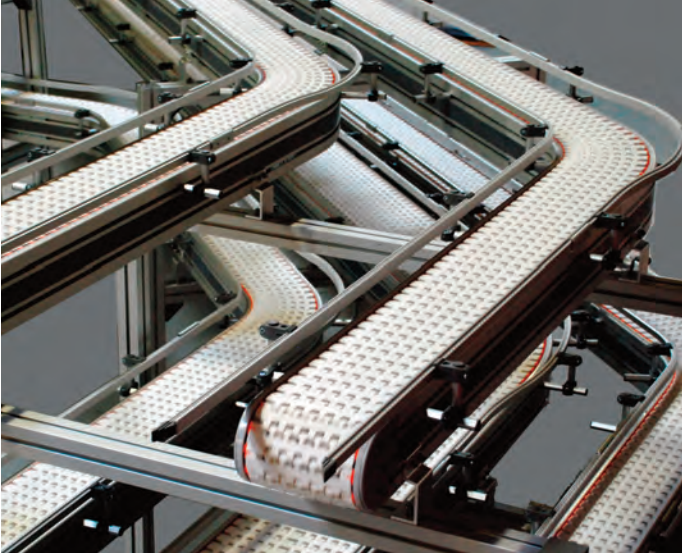
**Flexinox**



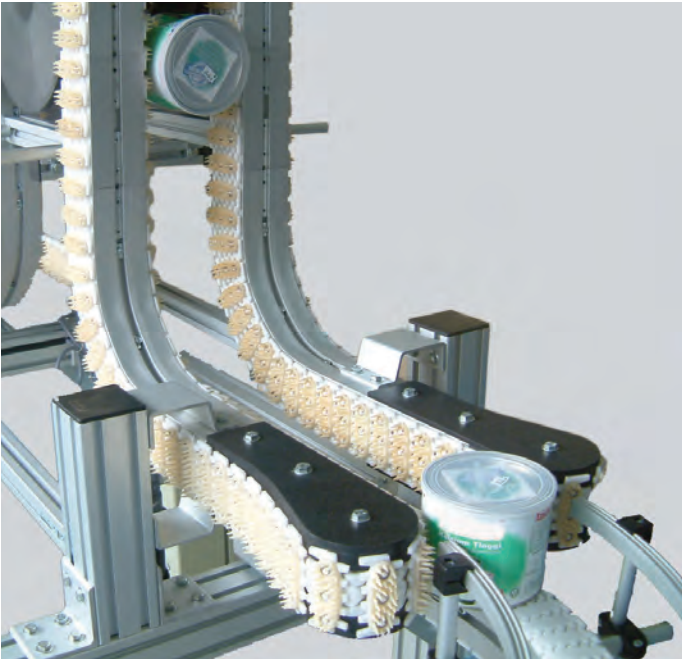
**Flexitoo**



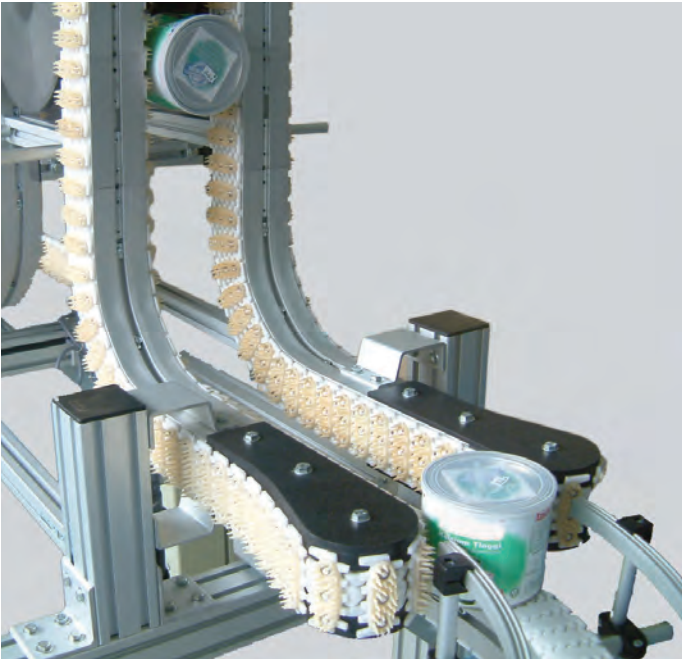
**Robur**



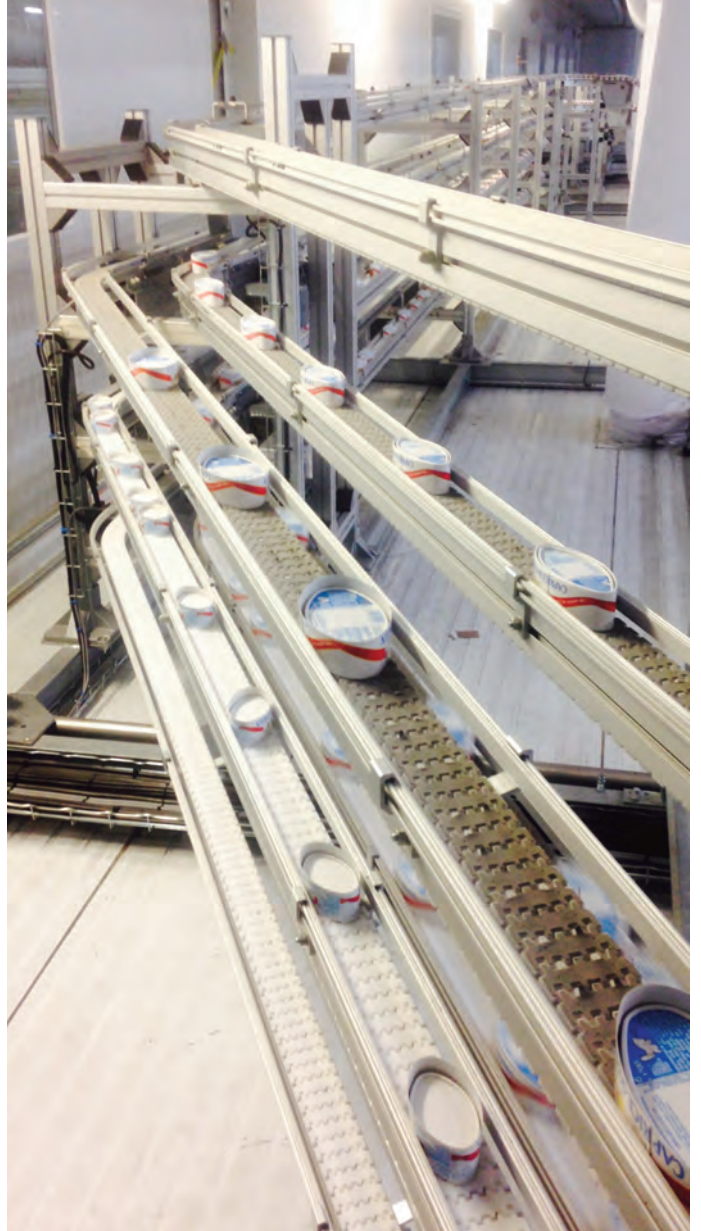
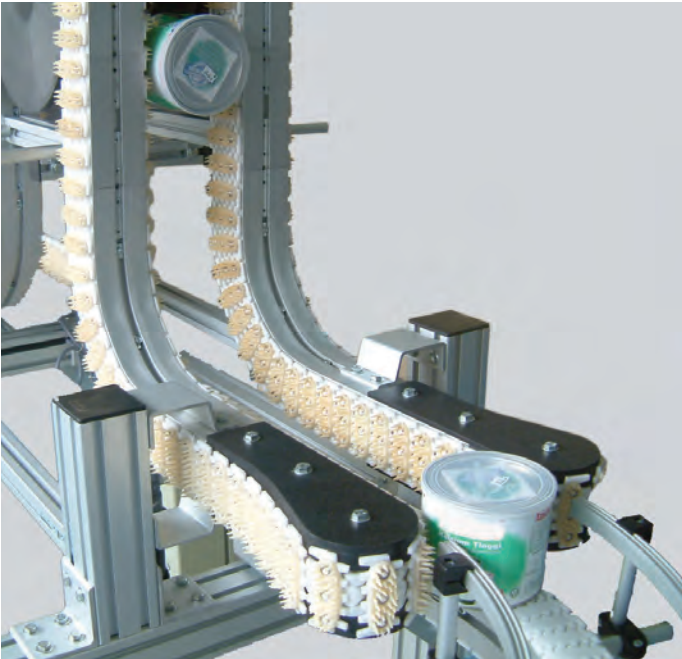
**CAB**



**Guides**



**Legs**





# Legs for conveyors

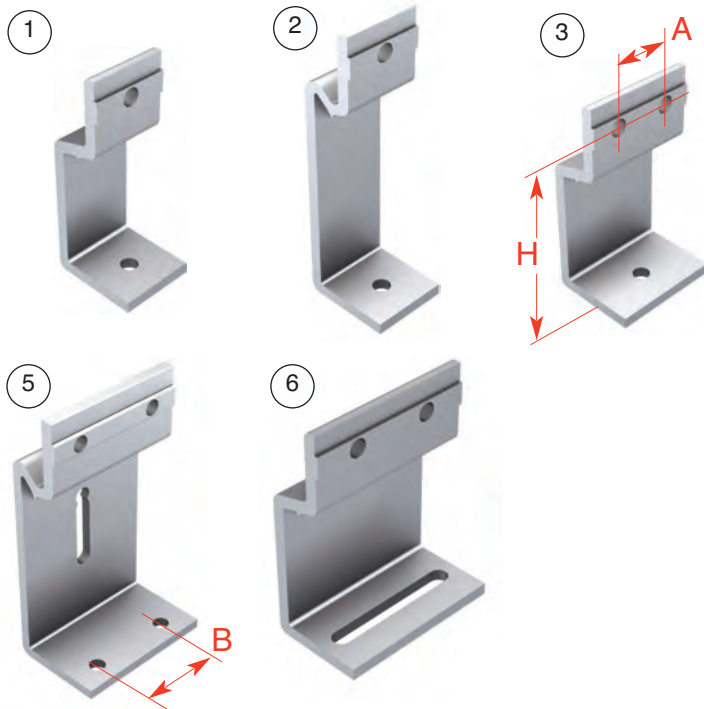
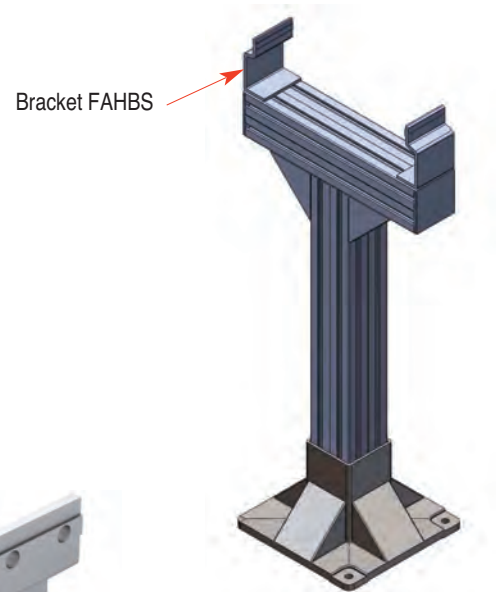


### Aluminium brackets FAHBS...

Mainly used between the horizontal cross piece and the conveyor legs.

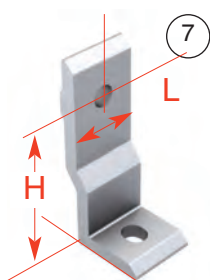
Generally the width L corresponds to that of the cross piece. Holes or slots for fastenings Ø8 unless indicated otherwise.

Reference	L	H	A	B	Figure
FAHBS 40	40	99.5			1
FAHBS 40B		135			2
FAHBS 60	60	99.5	30		3
FAHBS 62B		135			3
FAHBS 62A	62	135			4
FAHBS 74A	74	100	44	44	5
FAHBS 74B		125			
FAHBS 74C		135			
FAHBS 74D		158			
FAHBS 84	84	99.5	40		6



Attachment points to the outside

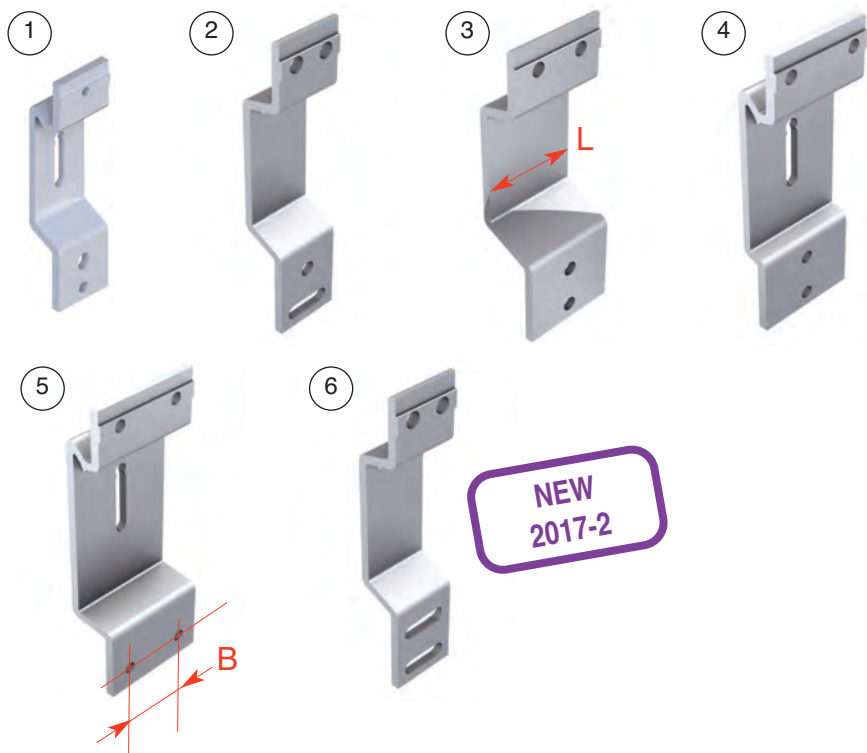
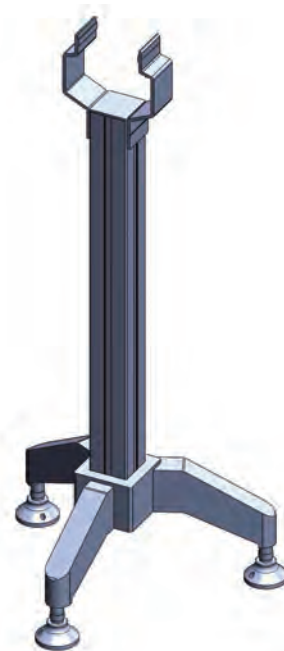
Reference	L	H	A	B	Figure
FGRB 40	40	61			7
FGRB 84	84		44	44	



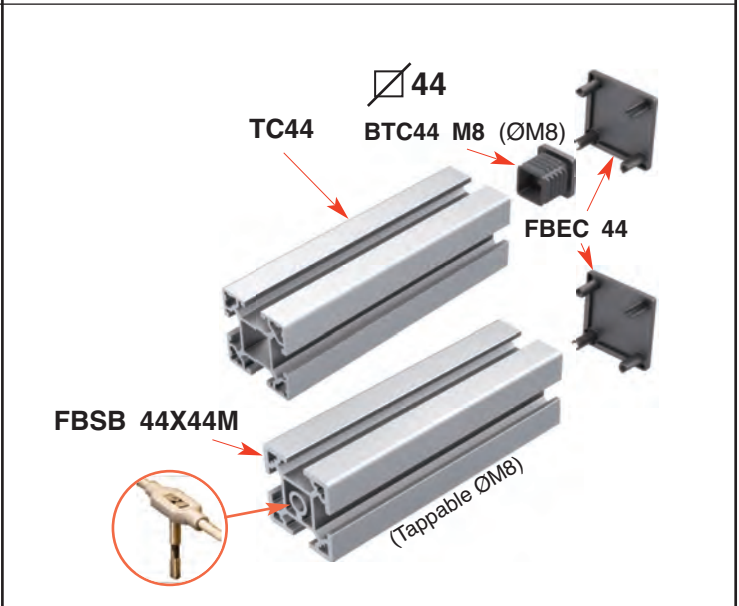
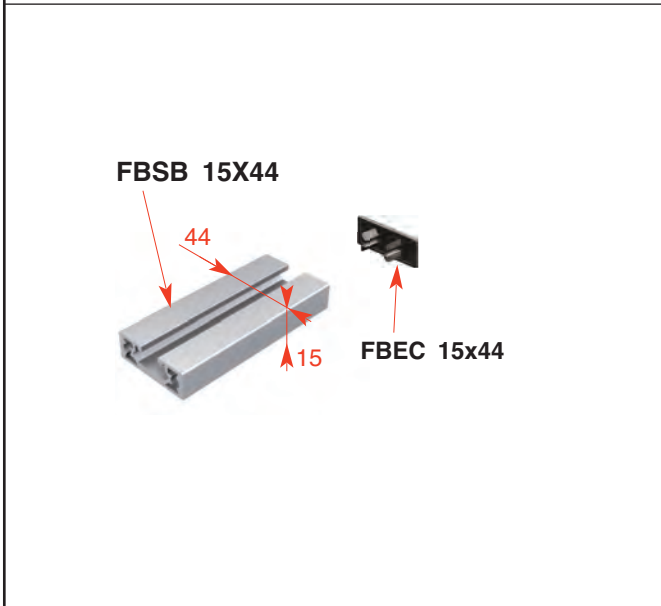
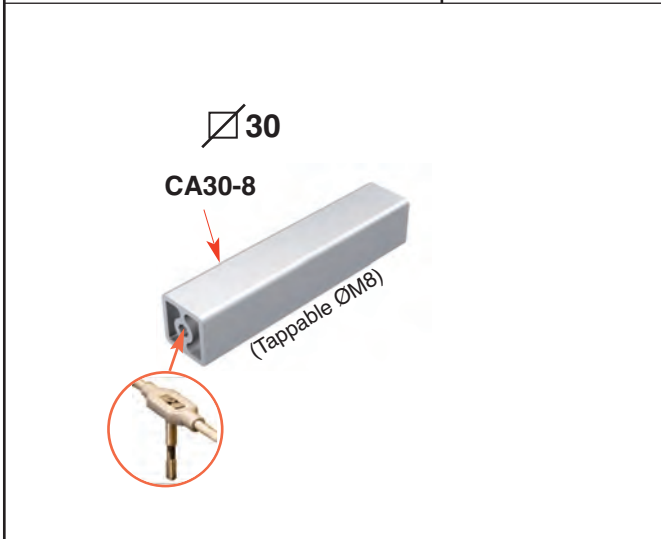
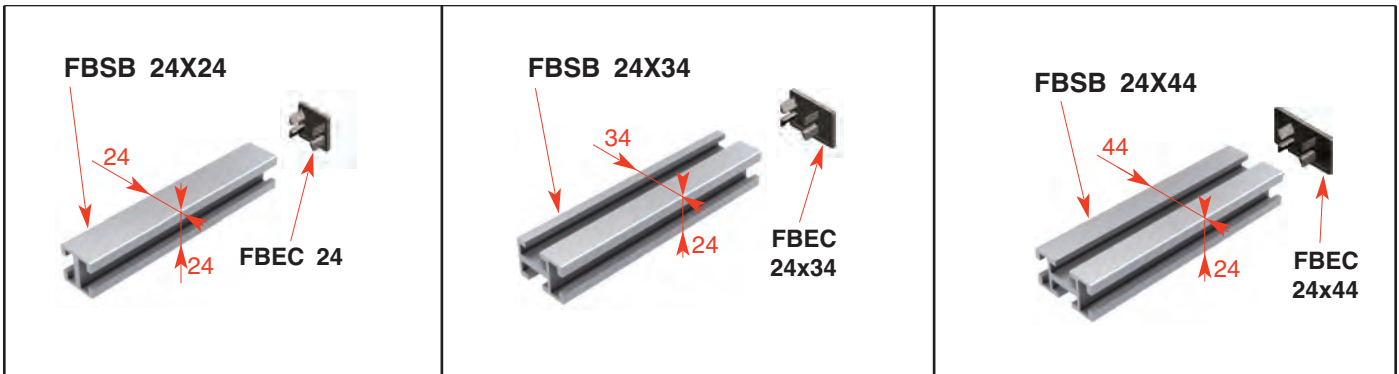
### Aluminium brackets FAVBS...

mainly used between conveyors and vertical tubes.  
Holes or slots for fastenings Ø8 unless indicated otherwise.

Conveyor	Vertical tube	Compatible - chute - cable raceway	Reference	L	B	Figure
F45	TC44	✗	F45VBS 42	42		1
FK			FAVBS 40S	40		2
FS			FAVBS 40M			
FK	TC64	✗	FAVBS 60K	60		3
FS			FAVBS 60S			
FM			FAVBS 60M			
FC			FAVBS 60C			
FK			FAVBS 60KV			
FS			FAVBS 60SV			6
FM			FAVBS 60MV			
FC			FAVBS 60CV			
FK			FAVBS 60K FA	64	4	
FS			FAVBS 60S FA			
FM	FAVBS 60M FA					
FC	FAVBS 60C FA					
FS	TC88	✗	FAVBS 88S	74	44	5
FM		✓	FAVBS 88M			
FC		✓	FAVBS 88C			

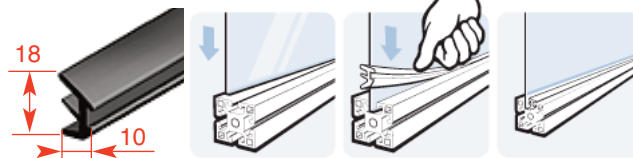






### Profile for housing JEC4 11

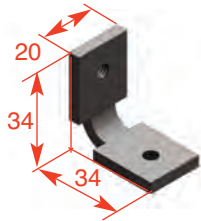
Allows installation of a panel th. 4 to 7 mm into the 11 mm groove in our profiles



<p><b>44 x 64</b></p> <p>FBSB 44X64</p> <p>FBEC 44x64</p>	<p><b>64</b></p> <p>TC64</p> <p>FBSB 64x64M</p> <p>FBEC 64</p> <p>FBSB 64x64C</p> <p>4 x</p> <p>(Tappable ØM8)</p>
<p><b>44 x 88</b></p> <p>TC44 88</p> <p>FBEC 44x88</p> <p>FBSB 44x88M</p> <p>2 x</p> <p>(Tappable ØM8)</p>	<p><b>88</b></p> <p>TC88</p> <p>FBEC 88</p> <p>FBSB 88x88M</p> <p>4 x</p> <p>(Tappable ØM8)</p>
<p><b>70</b></p> <p><b>FEFU</b> used to construct telescopic legs with 2 tubes FBSB 64x64M and TC64</p>	

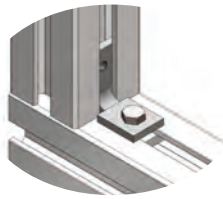
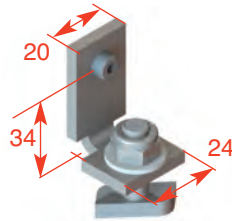
### FBRX 20A

thickness 4 mm  
2 M8 pressure screws included



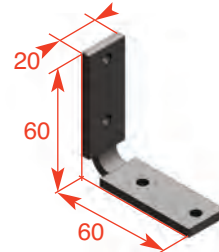
### FBRX 20B

thickness 4 mm  
1 M8 pressure screw and 1 M8 bolt included



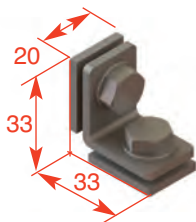
### FBRX 20C

thickness 4 mm  
4 pressure screws included



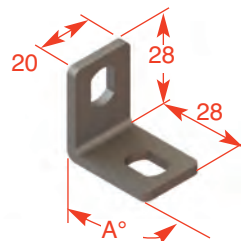
### FBRY 20

thickness 3 mm  
2 HM8 screws included

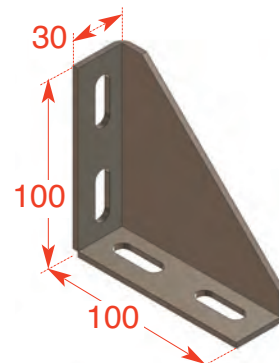


Reference	A
<b>FBRY 20A</b>	90°
<b>FBRY 20x45A</b>	45°

thickness 3 mm, without fastenings,  
holes 8.5 x 11

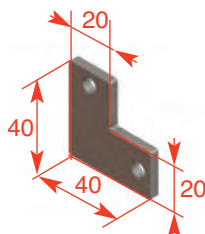


### FBFA 100A



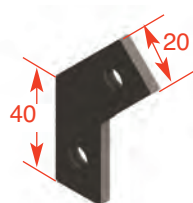
### FBRW 20

thickness 4 mm  
2 M8 pressure screws included



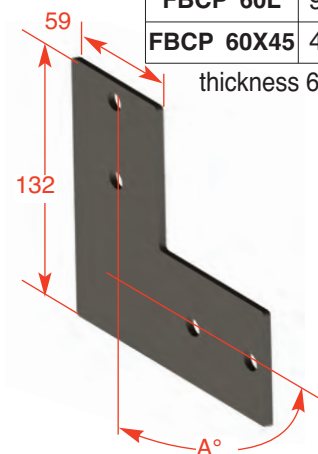
### FBRW 20X45

thickness 4 mm  
2 M8 pressure screws included



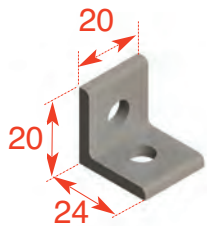
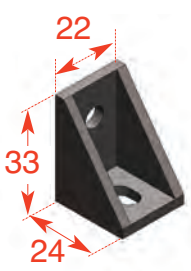
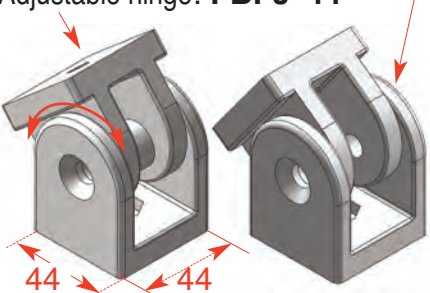
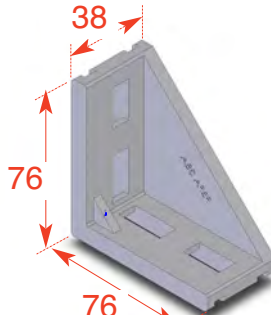
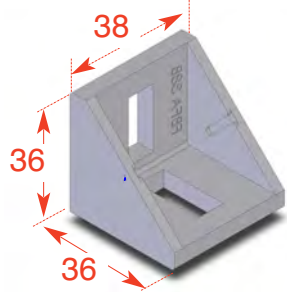
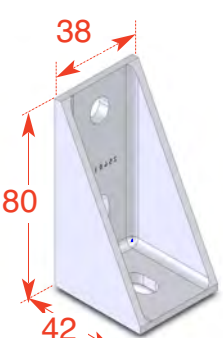
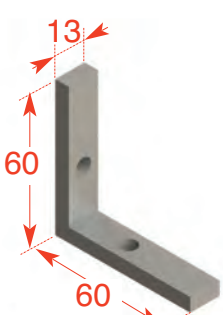
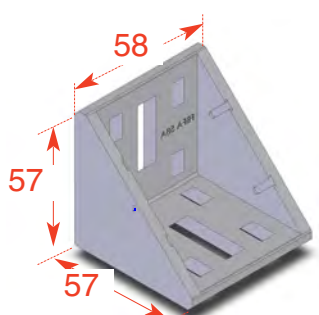
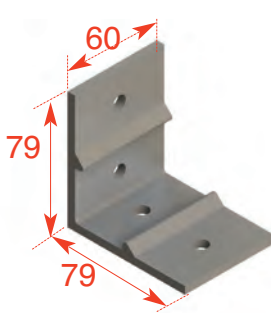
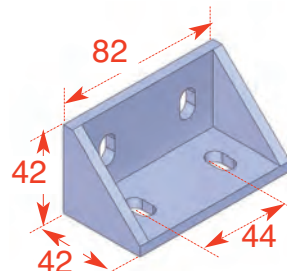
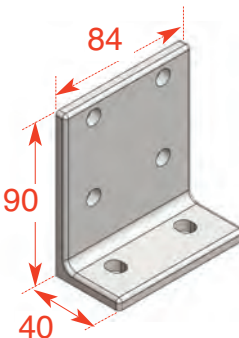
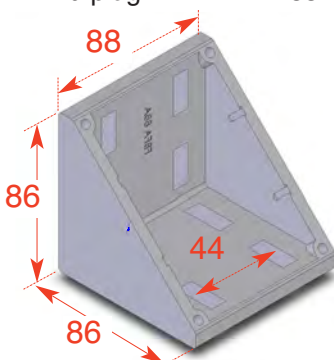
Reference	A
<b>FBCP 60L</b>	90°
<b>FBCP 60X45</b>	45°

thickness 6 mm

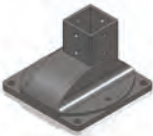






Brackets: moulded or cut from profile section

<p>Bracket: <b>FBAB 20</b> (Fastenings M5)</p> 	<p>Bracket: <b>FBFA 24</b></p> 	<p>Fixed hinge: <b>FBFJ 44F</b> Adjustable hinge: <b>FBFJ 44</b></p> 
<p><b>FBFA 38A</b></p> 	<p>Bracket: <b>FBFA 38B</b> End plug: <b>BE FBFA 38B</b></p> 	<p><b>FBFA 38C</b></p> 
<p><b>FBRX 13</b> für AT30, AC2A8, FGGR 3x20x12</p> 	<p>Bracket: <b>FBFA 58B</b> End plug: <b>BE FBFA 58B</b></p> 	<p><b>Winkel FBAB 60L</b></p> 
<p>Bracket: <b>FBFA 88C</b></p> 	<p>Bracket: <b>FBFA 84</b></p> 	<p>Bracket: <b>FBFA 88B</b> End plug: <b>BE FBFA 88B</b></p> 

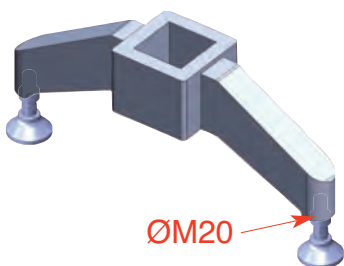
### Aluminium bases

For square tube	TC 44	TC 64	TC 88
Base reference	<b>EC150 45</b>	<b>FBFT 64</b>	<b>EC260 88</b>
Dimensions	150 x 150 x H 100	210 x 210	260 x 260
Connection to the vertical tube	6 screws HM6 x 16 6 square nuts M8 + spring washers	Fastenings included	Fastenings included
Floor anchorage	Ø 10	Ø 10	Ø 16
			

### Plastic feet moulded for square profiles

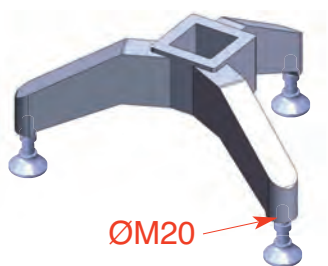
For tube	Bipod reference
TC64	<b>FBFT 64BP</b>

jacks included



For tube	Tripod reference
TC64	<b>FBFT 64TP</b>
70x70	<b>FEFG 70T</b>

jacks included



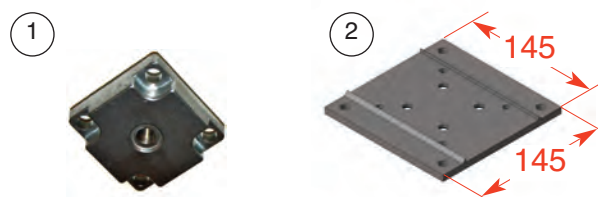
Adjustment jack  
**FBAF M20x56**  
for FBFT 64BP or FBFT 64TP



Anti-vibration sole plate  
**FLFJ 69**  
optional for FBAF M20x56

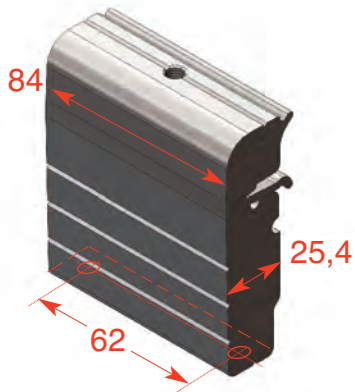
### Plates for structural tubes

For tube	Plate reference	Mountings	Figure
TC44	<b>FBFE 44M8</b>	1 x ØM8 4 x Ø 6	1
	<b>FBFE 44M12</b>		
FBSB-44x64	<b>FBFE 44x64M12</b>		
TC 44-88	<b>FBFE 44x88M12</b>	1 x ØM12 4 x Ø 6	
TC64 FBSB 64x64M	<b>FBFE 64M12</b>		
TC88	<b>FBFE 88M12</b>		2
	<b>FAFB 88F</b>	4 x Ø 6 4 x Ø 9	



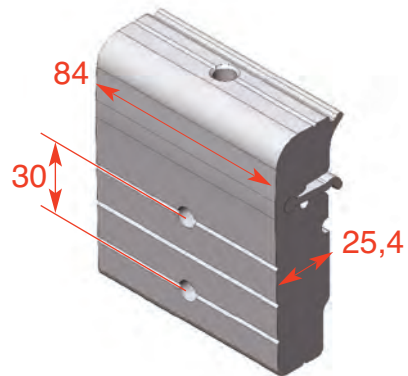
### R2 SL32P

Aluminium clip with mobile rocker for lower mounting (2 holes ØM8)



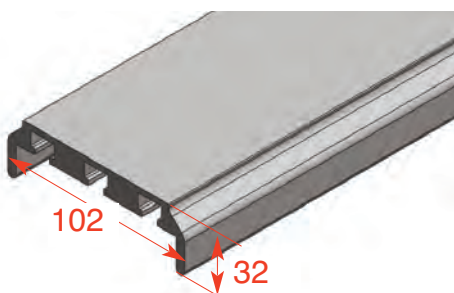
### R2 SL32PL

Aluminium clip with mobile rocker for lateral mounting or inclined conveyor (2 holes ØM8)



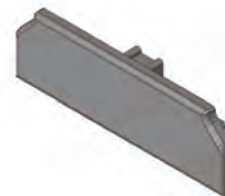
### EPR

Aluminium profile with 3 grooves for M8 nut or bolt head. Is used between clips **R2SL32P** and support head **331-4**, for Robur, Cobral or other conveyors.



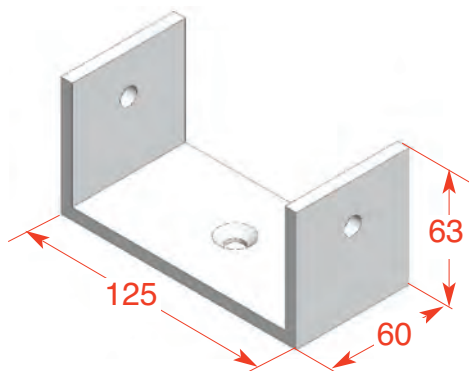
### EMEPR

Closing end piece for profile **EPR** below



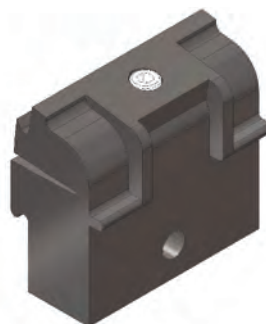
### U125 63 CLAMP

Clamp for feet, Robur 1

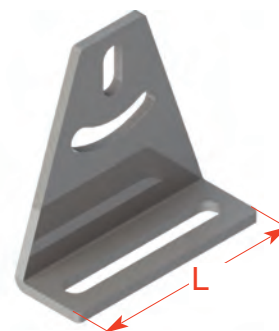


### R1 SL1/21.5M

Moulded plastic clip for stirrup U125-63 (legs for Robur 1)



Adjustable plates for inclined feet



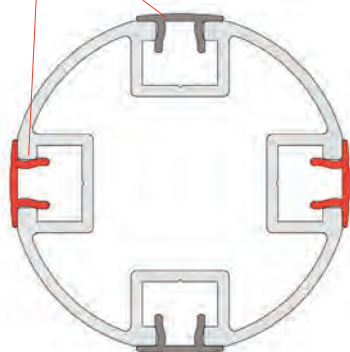
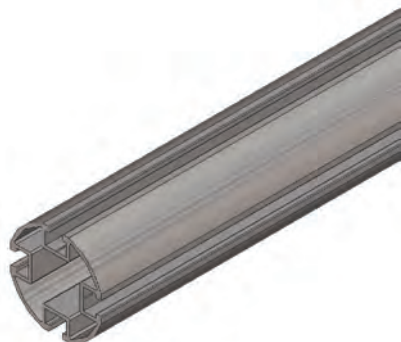
reference	L
PL1	84
PL1 64	64



# Round tubes Support heads and junction

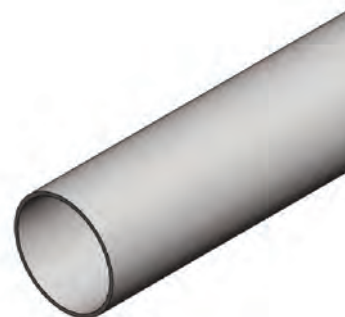
## TUA 60 4R

Aluminium profile with 4 grooves for M8 nut or bolt head. These grooves can be plugged by an optional cover: red **CR8R**, black **CR8N2** or grey **CR8G2**



## TUX 60

Smooth stainless steel tube Ø 60.3 thickness 2



## BTC M16 End M16 for TUA 60 4R



## Smooth tubes Ø 42.4 thickness 1.6 mm



Material	Reference
aluminium	<b>TUA 42</b>
stainless steel	<b>TUX 42</b>

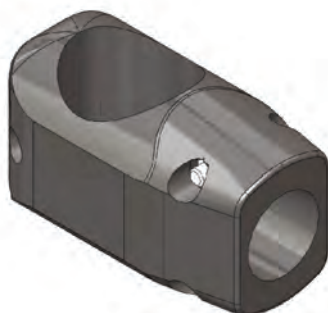
## BTR M16 M16 end piece for TUA 60 TUX60



## Support head 331 4 For tubes TUA 60 4R or TUX60



## Junction 331 5 between tubes TUA 60 4R or TUX 60 and TUA 42 or TUX 42



## Lateral support head 331 6 for tubes TUA 60 4R or TUX 60



## Leg bases (feet) for tubes Ø60.3 Jacks/sole plates Ø80

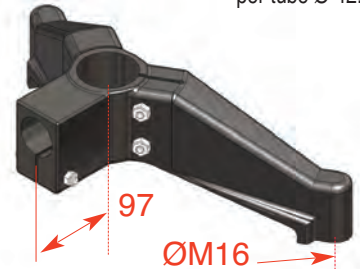
**331 3** moulded tripod foot in Black PA6 for tube Ø60.3



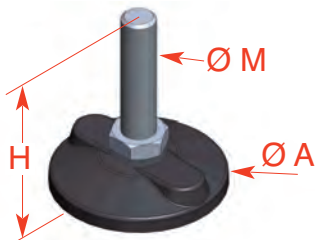
**331 2** Moulded bipod foot in black PA6 for tube Ø60.3



**331 2 120** Moulded bipod foot in black PA6 for tube Ø60.3  
to be used in cross braced pairs per tube Ø 42.4

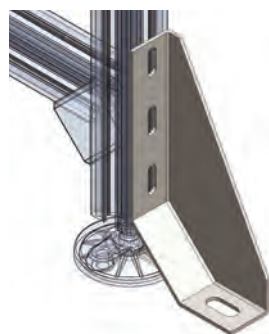
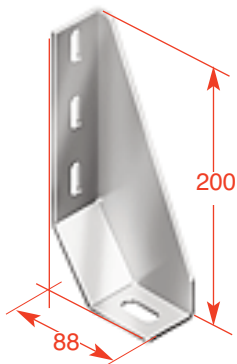


Spitable jack except (*):			Swivel castor with brake:	ØM	for			
ØA	H	tube FBSB 40x40...			plate	base above	end piece (of tube)	
<b>331 80 M8</b>	80	91	<b>A49 125 M8</b>	M8	... M8 tapped	<b>FBFE44 M8</b>		<b>BTC44 M8 (ITC44)</b>
<b>331 80 M10</b>		94	<b>A49 125 M10</b>	M10	... M10 tapped			
<b>331 80 M12</b>		94	<b>A49 125 M12</b>	M12	... M12 tapped	<b>FBFE-...-M12</b>		
<b>331 60 M12GH (*)</b>	60	150						
<b>331 80 M16</b>	80	95	<b>A49 125 M16</b>	M16			<b>331 3, 331 2</b> or <b>331 2 120</b>	<b>BTC M16 (TUA60 4R)</b> <b>BTR M16 (TUX 60)</b>
<b>331 80 M16GH</b>		145						



Note: L fitted with castors must be cross braced with for example Ø42 tubes and junction 331 5 to improve their stability and strength.

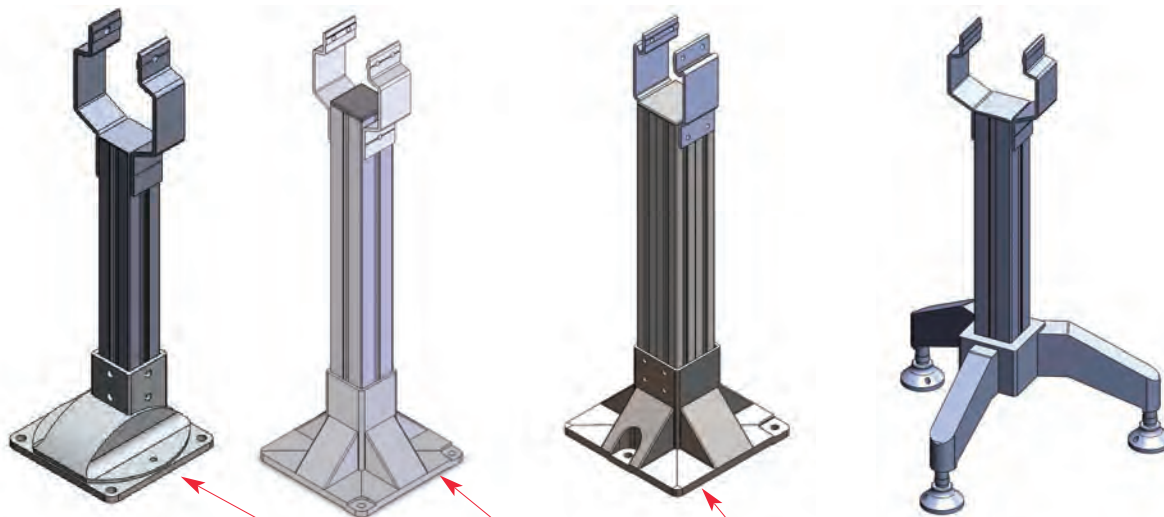
**FBFA PC** Zinc plated steel bracket for floor mounting of profiles  $\geq 40$  mm



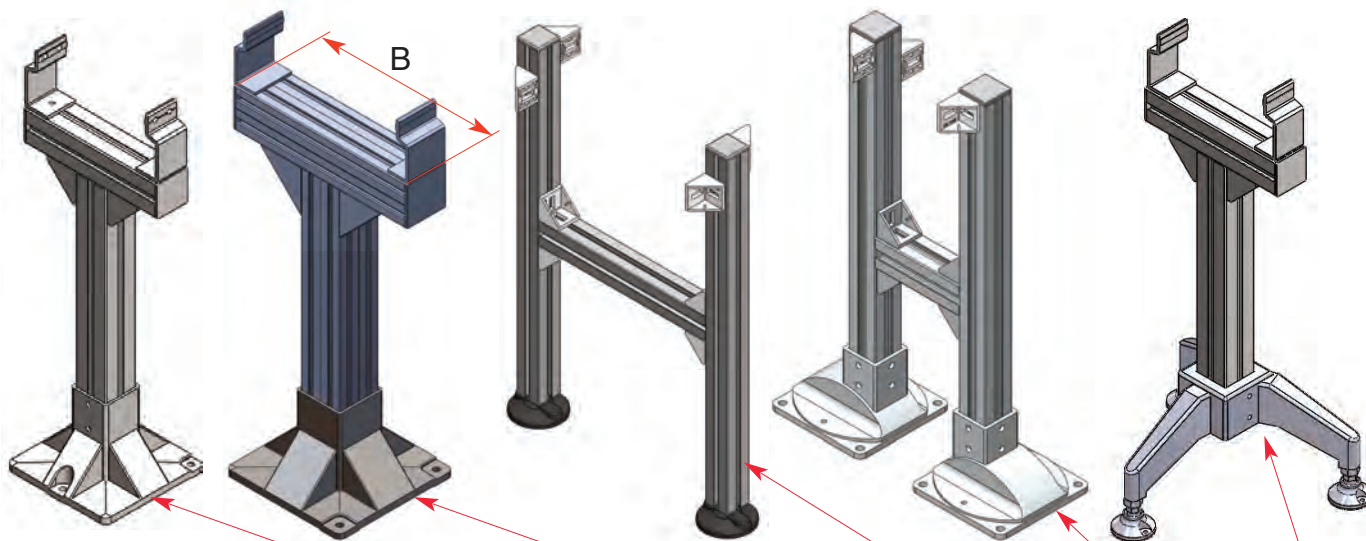
Connection to the vertical tube Ø8  
floor anchorage: Ø12

**NEW**  
2017-2

## Square tube legs for Flexmove® and Flextoo® conveyors



Flexmove conveyor	Square profile 44	Square profile 64	Profile TC-88 (C.88)	Tripod foot (C.64)	Bipod foot (C.64)
F45	<b>F45TC 44</b>				
FK-FT-FH	<b>FKTC 44</b>	<b>FKTC 64</b>		<b>FKTC 3</b>	<b>FKTC 2</b>
FS	<b>FSTC 44</b>	<b>FSTC 64</b>	<b>FSTC 88</b>	<b>FSTC 3</b>	<b>FSTC 2</b>
FM		<b>FMTC 64</b>	<b>FMTC 88</b>	<b>FMTC 3</b>	<b>FMTC 2</b>
FC		<b>FCTC 64</b>	<b>FCTC 88</b>	<b>FCTC 3</b>	<b>FCTC 2</b>
Possible variants	• Inclined conveyor	• Inclined conveyor		• Inclined conveyor	• Inclined conveyor



Conveyor	Square profile 64	Profile PC88 (C.88)	B	Leg PH40 (C.40)	Leg PH44 (C.44)	Tripod foot (C.64)
Flexmove FL	<b>FLPC 64</b>	<b>FLPC 88</b>	<b>207</b>			<b>FLTC 3</b>
Flextoo 750	<b>F2 750 PC 64</b>	<b>F2 750 PC 88</b>	<b>279</b>	<b>F2 750 PH40</b>	<b>F2 750 PH44</b>	<b>F2 750 TC 3</b>
Flextoo 1200	<b>F2 1200 PC 64</b>	<b>F2 1200 PC 88</b>	<b>394</b>	<b>F2 1200 PH40</b>	<b>F2 1200 PH44</b>	<b>F2 1200 TC 3</b>
Flextoo 1500	<b>F2 1500 PC 64</b>	<b>F2 1500 PC 88</b>	<b>470</b>	<b>F2 1500 PH40</b>	<b>F2 1500 PH44</b>	<b>F2 1500 TC 3</b>
Flextoo 1800*	<b>F2 1800 PC 64</b>	<b>F2 1800 PC 88</b>	<b>546</b>	<b>F2 1800 PH40</b>	<b>F2 1800 PH44</b>	
Flextoo 2400*				<b>F2 2400 PH40</b>	<b>F2 2400 PH44</b>	
Possible variants	• multi-track version • inclined conveyor • swivel leg	• multi-track version • inclined conveyor				• multi-track version • inclined conveyor



**NEW**  
2017-1

## Square tube legs for CAB conveyors

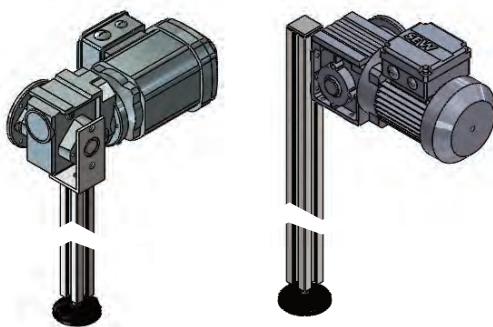


CAB conveyor	Square profile 64 CAB...PC64	Profile PC88 (C.88) CAB...PC88	Leg PH40 (C.40) CAB...PH40	Leg PH44 (C.44) CAB...PH44	Bipod foot (C.64) CAB...TC3	Tripod foot (C.64) CAB...TC3
CAB 6	CAB 6 PC64	CAB 6 PC88	CAB 6 PH40	CAB 6 PH44	CAB 6 TC2	CAB 6 TC3
CAB 9	CAB 9 PC64	CAB 9 PC88	CAB 9 PH40	CAB 9 PH44	CAB 9 TC2	CAB 9 TC3
CAB 12	CAB 12 PC64	CAB 12 PC88	CAB 12 PH40	CAB 12 PH44	CAB 12 TC2	CAB 12 TC3
CAB 15	CAB 15 PC64	CAB 15 PC88	CAB 15 PH40	CAB 15 PH44	CAB 15 TC2	CAB 15 TC3
CAB 18		CAB 18 PC88	CAB 18 PH40	CAB 18 PH44		
CAB 21			CAB 21 PH40	CAB 21 PH44		
CAB 24			CAB 24 PH40	CAB 24 PH44		
<b>H min.</b>						
Without cable raceway	530 mm	555 mm	315 mm	478 mm	575 mm	
With cable raceway	577 mm	600 mm	370 mm	478 mm	623 mm	

### Legs for special situations:

#### Single leg

for mounting geared motors



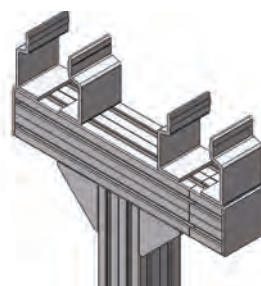
#### Swivel leg



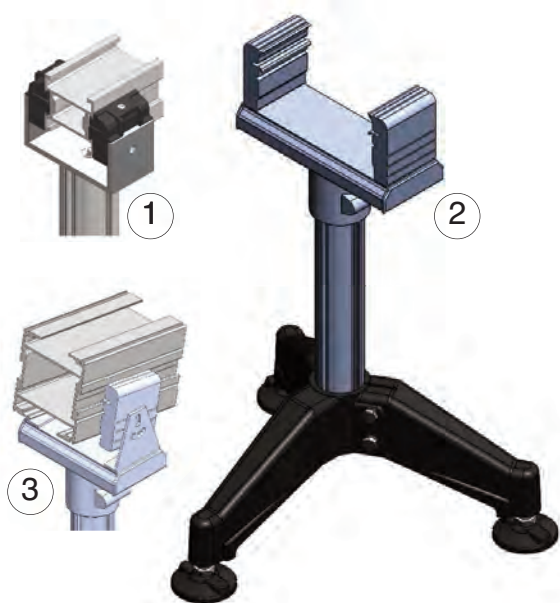
Height-adjustable stand, with telescopic square tubes



#### multi-track leg for parallel conveyors



"H" shaped legs may be cross braced for better stability



Conveyor	Figure	Tripod leg	Bipod leg
Robur 1	1	<b>R1 P3</b>	<b>R1 P2</b>
Robur 2 / 2TB		<b>R2 P3</b>	<b>R2 P2</b>
Robur 3 / 3TB	2	<b>R3 P3</b>	<b>R3 P2</b>
Robur 4	2	<b>R4 P3</b>	<b>R4 P2</b>
Possible variants		<ul style="list-style-type: none"> <li>• multi-track version</li> <li>• inclined conveyor (Figure 3)</li> </ul>	

Conveyor	Figure	Tripod leg	Bipod leg
FK	4	<b>FK P3</b>	<b>FK P2</b>
FS	4	<b>FS P3</b>	<b>FS P2</b>
FM	5	<b>FM P3</b>	<b>FM P2</b>
FC	5	<b>FC P3</b>	<b>FC P2</b>
FL	4	<b>FL P3</b>	<b>FL P2</b>



Conveyor	Tripod foot Reference	Bipod foot Reference	Tetrapod foot Reference
Flextoo-750	<b>F2 750 P3</b>	<b>F2 750 P2</b>	
Flextoo-1200	<b>F2 1200 P3</b>	<b>F2 1200 P2</b>	
Flextoo-1500	<b>F2 1500 P3</b>	<b>F2 1500 P2</b>	
Flextoo-1800	<b>F2 1800 P3</b>		<b>F2 1800 2P2 120</b>
Flextoo-2400*			<b>F2 2400 2P2 120</b>

NEW  
2017-1

## Ø60.3 tube legs Conveyors



CAB conveyor	Bipod foot CAB...P2	Tripod foot CAB...P3	Tetrapod foot CAB...2P2 120
CAB 6	CAB 6 P2	CAB 6 P3	
CAB 9	CAB 9 P2	CAB 9 P3	
CAB 12	CAB 12 P2	CAB 12 P3	
CAB 15	CAB 15 P2	CAB 15 P3	
CAB 18	CAB 18 P2	CAB 18 P3	CAB 18 2P2 120
CAB 21			CAB 21 2P2 120
CAB 24			CAB 24 2P2 120
<b>H min.</b>			
Without cable raceway	540 mm		
With cable raceway	595 mm		

### Option: legs on casters

The adjustment jacks are replaced by braked swivelling casters **A49 125 M16**. The reference of the leg has the suffix R.

Height-adjustable stand, with adjustment hand wheel



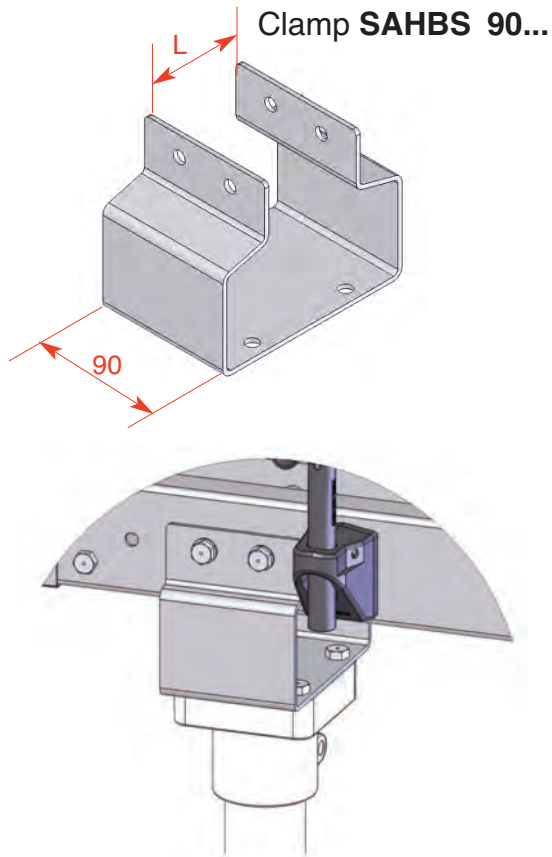
Note: To avoid the instability of legs fitted with castors, they must be cross braced





## Ø60.3 stainless steel tube legs for Flexinox

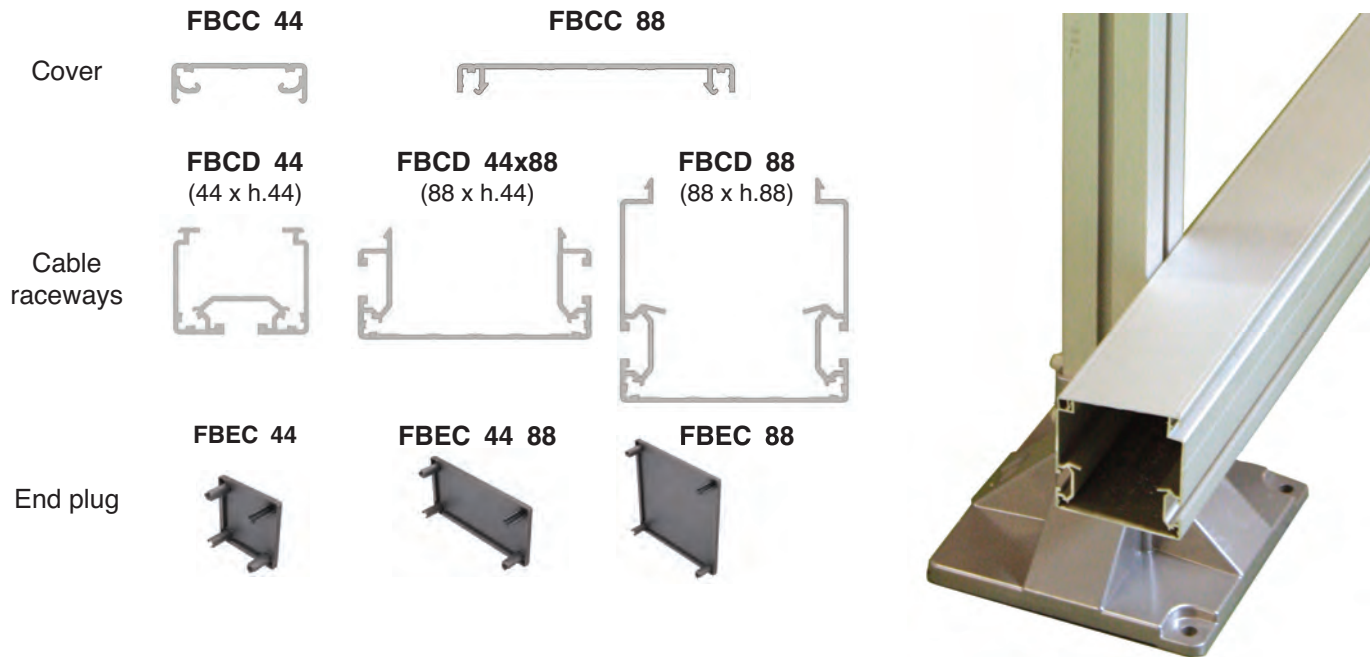
In the top part, a stirrup is placed between the horizontal modules and the support head. Fixing by Ø9 holes



Range	SS	SM	SC
Bipod foot reference	<b>SS P2</b>	<b>SM P2</b>	<b>SC P2</b>
Tripod foot reference	<b>SS P3</b>	<b>SM P3</b>	<b>SC P3</b>
Width L	65	85	105
Clamp	<b>SAHBS 90S</b>	<b>SAHBS 90M</b>	<b>SAHBS 90C</b>
Detail of the mounting of the attachment stirrup on the beam			

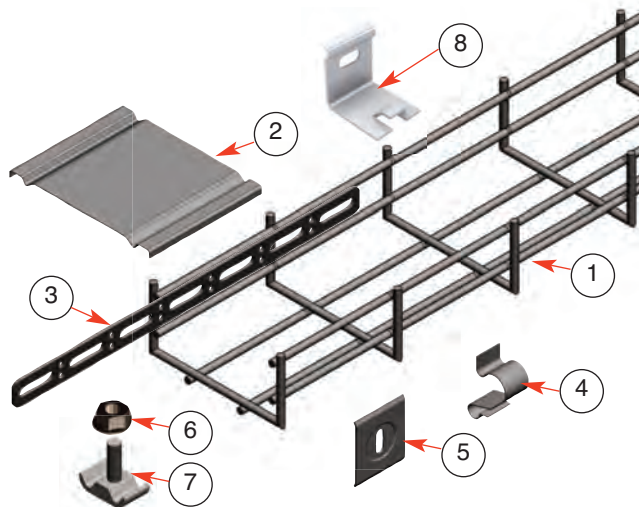
### Aluminium cable raceways with covers Standard length 3m

Fish plates not included: FACS 20x130a; compatible fastenings: FASN..., FAHN..., FATB..., and FASB... on page 104.



### Welded wire cable raceways

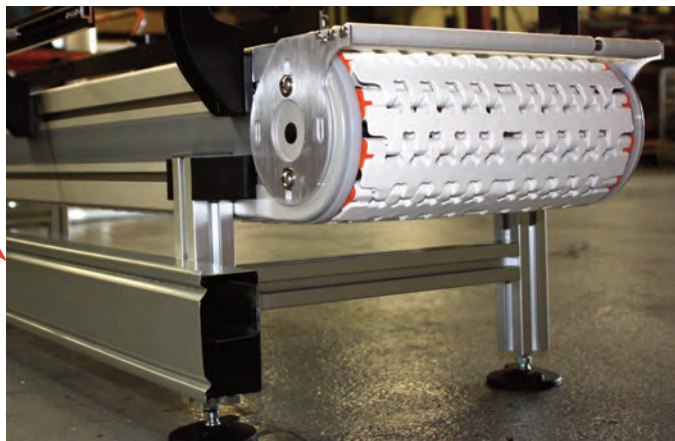
	Reference	Item
<b>Wire cable raceway</b> Zinc plated steel (100 x h.54 mm)	<b>CABLE UF 54x100</b>	1
Zinc plated steel cover (option)	<b>CVR UF100</b>	2
Fish plate	<b>ECLISSE UF300</b>	3
Mounting clips	<b>CLIPS UF</b>	4
Backing plate	<b>CLAME UF</b>	5
Self-locking nut ØM6	<b>ECROU TWOLOCK M6</b>	6
Small fish plate	<b>ECLISSE UF30</b>	7
Side Bracket	<b>PATTE UF</b>	8



### Steel cable raceways

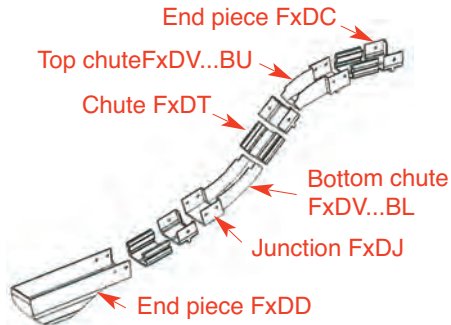
**Cable raceway  
(100 x h.54 mm)**  
internal partition (option)

Exists straight and curved



# Drain gutters and trays for the Flexmove® FK, FS, FM and FC ranges

They are used to keep workshops safe and clean when wet or oily parts are transported. They can also be used to secure conveyors with lug chains.

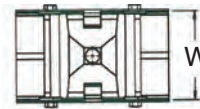
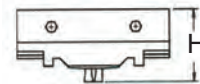
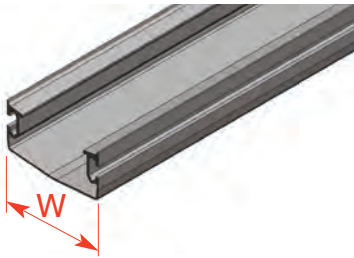


Conveyor	Width of conveyor	Chute width W
FK	45	107
FS	65	
FM	85	127
FC	105	147

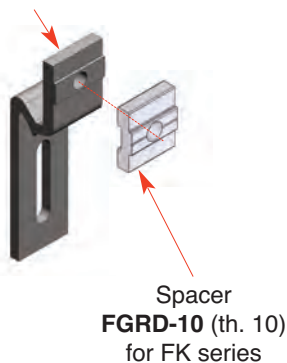
## Aluminium chutes length 3 m for straight modules

Conveyor	Straight chutes	W	Junction trays	H
FK-FS	FSDT 3x107B	107	FSDJ 107B	90
FM	FMDT 3x127B	127	FMDJ 127B	111
FC	FCDT 3x147B	147	FCDJ 147B	108

Junction trays F...DJ... are used to assemble 2 lengths of aluminium chutes together. Curves or end chutes do not require connecting pieces. Additional possibility of fish plating with **FACS-20x130A**.



## Chute mounting system FADB 21x100



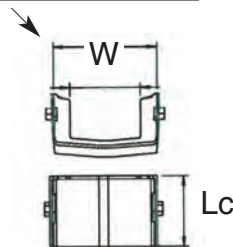
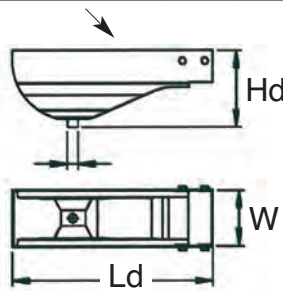


### Thermoformed chutes End pieces

Conveyor	Flat end piece Reference	Hollow end piece Reference	W	Hd	Ld	End piece	Lc
FK-FS	<b>FSDE 107B</b>	<b>FSDD 107B</b>	<b>107</b>	<b>155</b>	<b>392</b>	<b>FSDC 107B</b>	<b>74</b>
FM	<b>FMDE 127B</b>	<b>FMDD 127B</b>	<b>127</b>	<b>163</b>	<b>434</b>	<b>FMDC 127B</b>	<b>74</b>
FC	<b>FCDE 147B</b>	<b>FCDD 147B</b>	<b>147</b>	<b>171</b>	<b>434</b>	<b>FCDC 147B</b>	<b>72</b>

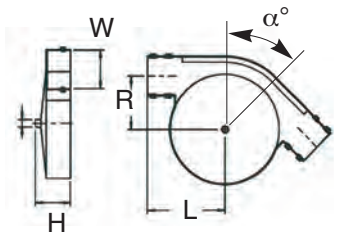


Male union Ø1/2" gas



### Thermoformed drain trays for curved modules with wheels

Conveyor	L	H	R	For curves with wheels of... (α°)			
				30°	45°	90°	180°
FK-FS	180	103	150	<b>FSDH 30x107B</b>	<b>FSDH 45x107B</b>	<b>FSDH 90x107B</b>	<b>FSDH 180x107B</b>
FM	220	119	160	<b>FMDH 30x127B</b>	<b>FMDH 45x127B</b>	<b>FMDH 90x127B</b>	<b>FMDH 180x127B</b>
FC	225	120	170	<b>FCDH 30x147B</b>	<b>FCDH 45x147B</b>	<b>FCDH 90x147B</b>	<b>FCDH 180x147B</b>



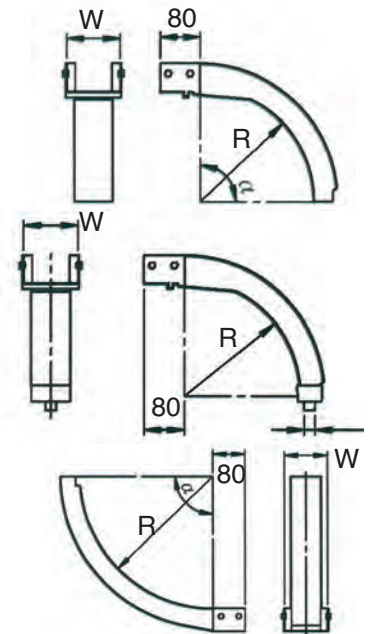
Male union Ø1/2" gas

### Thermoformed chutes for vertical curves

Conveyor	R	Top chutes for curves of... (α°)			
		30°	45°	90°	180°
FK-FS	227	<b>FSDV 30x107BU</b>	<b>FSDV 45x107BU</b>	<b>FSDV 90x107BU</b>	<b>FSDV 180x107BU</b>
FM	310	<b>FMDV 30x127BU</b>	<b>FMDV 45x127BU</b>	<b>FMDV 90x127BU</b>	<b>FMDV 180x127BU</b>
FC	310	<b>FCDV 30x147BU</b>	<b>FCDV 45x147BU</b>	<b>FCDV 90x147BU</b>	<b>FCDV 180x147BU</b>

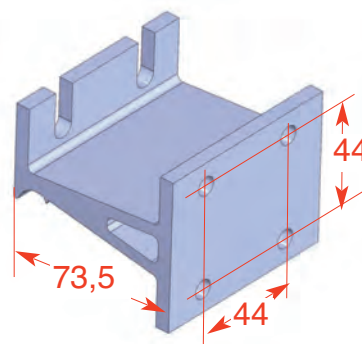
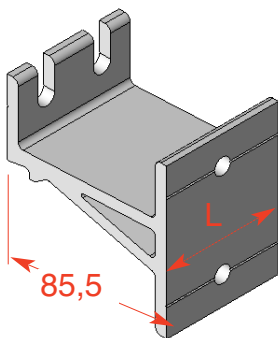
Idem, with male union Ø1/2" gas for curve of 90°					
FK-FS	230			<b>FSDV 90x107B</b>	
FM	310			<b>FMDV 90x127B</b>	
FC	310			<b>FCDV 90x147B</b>	

Conveyor	R	Bottom chutes for curves of... (α°)			
		30°	45°	90°	180°
FK-FS	330	<b>FSDV 30x107BL</b>	<b>FSDV 45x107BL</b>	<b>FSDV 90x107BL</b>	<b>FSDV 180x107BL</b>
FM	430	<b>FMDV 30x127BL</b>	<b>FMDV 45x127BL</b>	<b>FMDV 90x127BL</b>	<b>FMDV 180x127BL</b>
FC	430	<b>FCDV 30x147BL</b>	<b>FCDV 45x147BL</b>	<b>FCDV 90x147BL</b>	<b>FCDV 180x147BL</b>



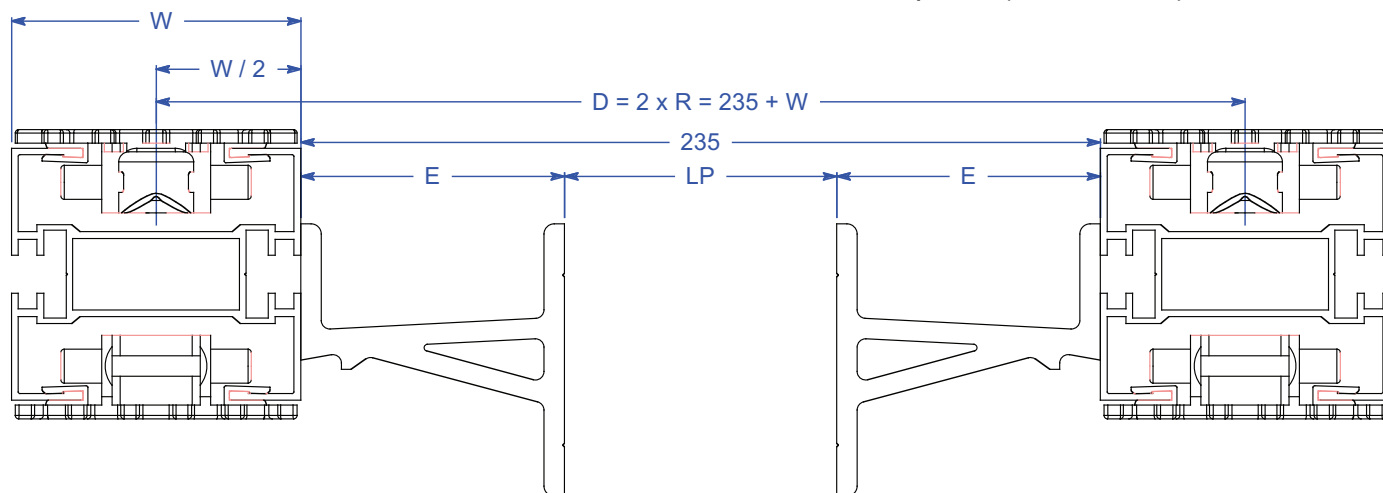
Reference	for	L
<b>FAAL 64</b>	TC 64	64
<b>FAAL 40</b>	FBSB 40x40 or TC44	40

**FAAL 88 bracket**  
for post TC88



### Application: serpentine

Dimensions for curves with wheels and for posts (FS, FM, FC)



Bracket	E	LP (post)
FAAL 64	85.5	64 square
FAAL 88	73.5	88 square

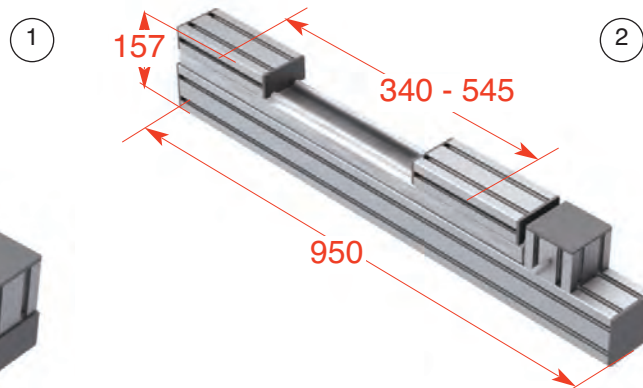
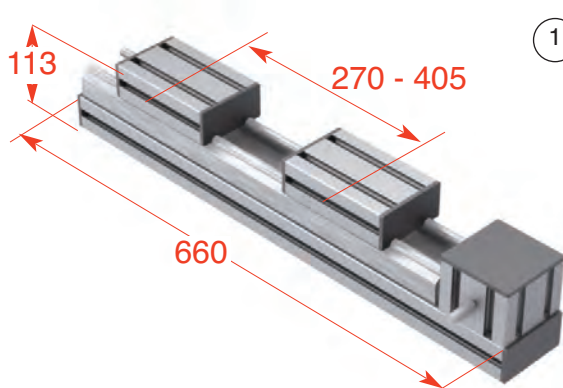
Series	W	R	2x R - W
FS	65	150	235
FM	85	160	
FC	105	170	



Another example of use

### Adjustment module FGLA... for wedge elevators

Reference	Figure
FGLA 660L	1
FGLA 950L	2



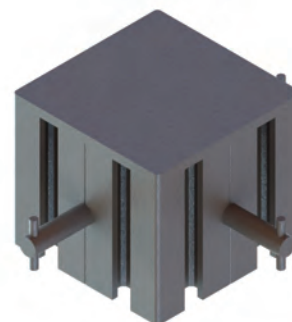
### Hand wheel FGAW FGAW 160x10A for wedge elevators



### Transmission pin FGFX 3 Ø25/12 grooved for corner pieces, length 3 m.



### Corner piece FGFW 90L 3 protruding shafts Ø10 pinned 88 x 88 x 69



Example of application of the brackets on the previous page:  
Lateral mounting of wedge conveyors on adjustment modules FGLA...





Direct starters with motor circuit breaker, switch and emergency stop for 3-phase motor 400 V 50 Hz

Compliance with standards IEC 60204-1, IEC 60947-4-1, polycarbonate material



Motor power (* number of poles)	Adjustment range of the thermal circuit breaker (A)	Version A	Version B	Version C
60 W	0.16 - 0.25	<b>DRTA02</b>	<b>DRTB02</b>	<b>DRTC02</b>
90 W	0.25 - 0.40	<b>DRTA03</b>	<b>DRTB03</b>	<b>DRTC03</b>
120 & 180 W	0.40 - 0.63	<b>DRTA04</b>	<b>DRTB04</b>	<b>DRTC04</b>
250 & 370 W (2p/4p)*	0.63 - 1	<b>DRTA05</b>	<b>DRTB05</b>	<b>DRTC05</b>
370 W (6p)* & 550 W	1 - 1.6	<b>DRTA06</b>	<b>DRTB06</b>	<b>DRTC06</b>
750 W & 1.1 kW	1.6 - 2.5	<b>DRTA07</b>	<b>DRTB07</b>	<b>DRTC07</b>
1.5 kW	2.5 - 4	<b>DRTA08</b>	<b>DRTB08</b>	<b>DRTC08</b>
2.2 kW	4 - 6.3	<b>DRTA10</b>	<b>DRTB10</b>	<b>DRTC10</b>
Supply	3-phase 400	✓	✗	✓
	3-phase 400+N	✓	✓	✓
Possibility of remote emergency stop		✗	✓ in 230 V	✓ in 24 V

Version for Movimot®

variable speed drive fitted with a motor on-off control, enabling the integral functionalities of the variable speed drive (acceleration / deceleration slopes) to be used.



Type, mains power and current of the Movimot® variable speed drive	Adjustment range of the thermal circuit breaker (A)	Version A	Version B	Version C
MM03 370W 1.3A MM05 550W 1.6A	1 - 1.6	<b>DRTA06M</b>	<b>DRTB06M</b>	<b>DRTC06M</b>
MM07 0.75 kW 1,9A MM11 1.1 kW 2.4A	1.6 - 2.5	<b>DRTA07M</b>	<b>DRTB07M</b>	<b>DRTC07M</b>
MM15 1.5 kW 3.5A	2.5 - 4	<b>DRTA08M</b>	<b>DRTB08M</b>	<b>DRTC08M</b>
Supply	3-phase 400	✓	✗	✓
	3-phase 400+N	✓	✓	✓
Possibility of remote emergency stop		✗	✓ in 230 V	✓ in 24 V



Locking emergency stop (option)

Suffix to be added at the end of the starter reference: **OC**  
can be supplied as an accessory ref: **DRTOC**



Emergency stop, compatible with versions B and C  
ref: **DRTAU**

# Index of references

Flexmove

Flexinox

Flextoo

Robur

CAB

Guides

Legs





# Index of References

	page		page		page
3-815-18_ROBUR	70	CJF2 FM	103	EL60	86
3-820-18_ROBUR	70	CJR C	103	EL92	86
3-820-21N-ROBUR	75	CLAME UF	125	Embout-CCD12	98
3-880-09N_ROBUR	70	CLIPS UF	125	EMEPR	117
3-880-11N_ROBUR	75	CMCB 3	38	EMFT 5R	13
3-881-21_ROBUR	75	CMCB 3H	38	EMFT 5R-L	13
331 2	119	CMCT 5A12 L	37	EMPC 5HT	12
331 2 120	119	CMCT 5A15 L	37	EMPC 5R	12
331 3	119	CMCT 5A17 L	37	EO 12x12	95
331 4	118	CMCT 5A30 L	37	EO 20x20	95
331 5	118	CMCT 5A9 L	37	EPR	117
331 6	118	CMCT5 D125L	37		
331 60 M12GH	119	CMCV 5B	37	<b>F</b>	
331 80 M10	119	CMFC 5	37	F2 1200 2CC 400	55
331 80 M12	119	CMFT 5	37	F2 1200 C640/90	55
331 80 M16	119	CMFT 5A	37	F2 1200 CC 180	55
331 80 M16GH	119	CMFT 5C	37	F2 1200 CV 500-5	55
331 80 M8	119	CMFT 5F	37	F2 1200 D3000	54
		CMHB	38	F2 1200 MDD GP	57
<b>A</b>		CMHB CLP	38	F2 1200 MDD...	57
A49 125 M10	119	CMPC 5	37	F2 1200 MDG GP	57
A49 125 M12	119	CMPC 5 CD	37	F2 1200 MDG...	57
A49 125 M16	119	CMPC 5P	37	F2 1200 MID20	57
A49 125 M8	119	CMPC 5R700	37	F2 1200 MSD30	57
AC2A8	86	CMPC 5WR	37	F2 1200 MSG30	57
AF12/8 120CC	98	CMSC 5	37	F2 1200 P2	122
AF703CC	98	CMSC 5FT	37	F2 1200 P3	122
AF710CC	98	CMSR 25	47	F2 1200 PC 64	120
AF712CC	98	CMSR 25A	47	F2 1200 PC 88	120
AF720CC	98	CMSR 25B	47	F2 1200 PH40	120
AFPOCC	98	CMSR 25H	47	F2 1200 PH44	120
		CMSR 25P	47	F2 1200 R	56
<b>B</b>		CMSR 3	47	F2 1200 RP	56
BAGUE D ARRET D12	99	CMST 5	37	F2 1200 TC 3	120
BAGUE D ARRET D20	99	CMUC 5	37	F2 1200 TG1M	56
BAGUE D ARRET D25	99	CMVB	38	F2 1200 TG1R	56
BAGUE D ARRET D30	99	CMWB	38	F2 1200 TG2M	56
BAGUE D ARRET D40	99	CMWT 5C	37	F2 1200 TG2R	56
BAGUE D ARRET SQ40	99	CPS	24	F2 1200 TMDM NTB	56
BE FBFA 38B	115	CR8G2	90	F2 1200 TMDR NTB	56
BE FBFA 58B	115	CR8N2	86	F2 1200 TMGM NTB	56
BE FBFA 88B	115	CVR UF100	125	F2 1200 TMGR NTB	56
Bouchon FGEC 20	102			F2 1500 2CC 400	55
BTC M16	118	<b>D</b>		F2 1500 C800/90	55
BTC44 M8	112	DRTA	130	F2 1500 CC 180	55
BTR M16	118	DRTAU	130	F2 1500 CV 500-5	55
BUTEE CONIQUE	103	DRTB	130	F2 1500 D3000	54
BUTEE PIVOT	103	DRTC	130	F2 1500 MDD GP	57
		DRTOC	130	F2 1500 MDD...	57
<b>C</b>				F2 1500 MDG GP	57
C2010X	86	<b>E</b>		F2 1500 MDG...	57
C2010Z	86	ECB 4	102	F2 1500 MID20	57
CA30-8	112	ECB 5	102	F2 1500 MSD30	57
CAB PG	78	ECB 6	102	F2 1500 MSG30	57
CAB-SB	82	ECB 8	102	F2 1500 P2	122
CAB...CV500...B	80	ECLISSE UF30	125	F2 1500 P3	122
CAB...CV500...H	80	ECLISSE UF300	125	F2 1500 PC 64	120
CAB...D	79	ECQA 40 M6	100	F2 1500 PC 88	120
CAB...MDD	80	ECQA 40 M8	100	F2 1500 PH40	120
CAB...MDG	80	ECQA 40 M8 ACIER	100	F2 1500 PH44	120
CAB...R	80	ECQA/45 M6	100	F2 1500 R	56
CAB...RS	80	ECQA/45 M8	100	F2 1500 RP	56
CAB...TG1	80	ECQA/45 M8 ACIER	100	F2 1500 TC 3	120
CAB...TG2	80	ECROU TWOLOCK M6	102	F2 1500 TG1M	56
CABLE UF 54x100	125	ECROU TWOLOCK M8	102	F2 1500 TG1R	56
CACHE VIS FHC	102	EL 30	99	F2 1500 TG2M	56
CACHE-ECROU HM6	102	EL 60	99	F2 1500 TG2R	56
CACHE-ECROU HM8	102	EL 72	99	F2 1500 TMDM NTB	56
		EL 92	99	F2 1500 TMDR NTB	56

# Index of References

	page		page		page
F2 1500 TMGM NTB	56	F2 750 PC 64	120	FASN M8 25	102
F2 1500 TMGR NTB	56	F2 750 PC 88	120	FASR 1.2 T	47
F2 1800 2CC 400	55	F2 750 PH40	120	FASR 25A	47
F2 1800 2P2 120	122	F2 750 PH44	120	FASR 25H	47
F2 1800 C930/90	55	F2 750 R	56	FASR 25K	47
F2 1800 CC 180	55	F2 750 RP	56	FASR 25KA	47
F2 1800 CV 500-5	55	F2 750 TC 3	120	FASR 25KH	47
F2 1800 D3000	54	F2 750 TG1M	56	FASR 25KP	47
F2 1800 MDD GP	57	F2 750 TG1R	56	FASR 25P	47
F2 1800 MDD...	57	F2 750 TG2M	56	FASR 25U	47
F2 1800 MDG GP	57	F2 750 TG2R	56	FASR 3X	47
F2 1800 MDG...	57	F2 750 TMDM NTB	56	FASR 75x15M	103
F2 1800 MID20	57	F2 750 TMDR NTB	56	FASR 75x19P	103
F2 1800 MSD30	57	F2 750 TMGM NTB	56	FATB 17	102
F2 1800 MSG30	57	F2 750 TMGR NTB	56	FATB 20	102
F2 1800 P3	122	F45AN M5B	102	FATB 24	102
F2 1800 PC 64	120	F45AN M6	102	FATB 35	102
F2 1800 PC 88	120	F45CB	36	FATB 53	102
F2 1800 PH40	120	F45CV 3E	35	FATB 71	102
F2 1800 PH44	120	F45DD 12	36	FATBX 17	102
F2 1800 R	56	F45DD 9	36	FATBX 20	102
F2 1800 RP	56	F45FC 3	35	FATBX 24	102
F2 1800 TG1M	56	F45FT 3	35	FATBX 35	102
F2 1800 TG1R	56	F45HB	36	FATBX 53	102
F2 1800 TG2M	56	F45ID	36	FATBX 71	102
F2 1800 TG2R	56	F45IE 50	36	FAVBS 40M	111
F2 1800 TMDM NTB	56	F45PC 3	35	FAVBS 40S	111
F2 1800 TMDR NTB	56	F45RN M6	102	FAVBS 60C	111
F2 1800 TMGM NTB	56	F45SR 25H	47	FAVBS 60C FA	111
F2 1800 TMGR NTB	56	F45TC 44	120	FAVBS 60CV	111
F2 2400 2CC 400	55	F45VB...	36	FAVBS 60K	111
F2 2400 2P2 120	122	F45VBS 42	111	FAVBS 60K FA	111
F2 2400 C1180/90	55	F45WT 3C	35	FAVBS 60KV	111
F2 2400 CC 180	55	FAAC 2	48	FAVBS 60M	111
F2 2400 CV 500-5	55	FAAC 3P	48	FAVBS 60M FA	111
F2 2400 D3000	54	FAAL 40	128	FAVBS 60MV	111
F2 2400 MDD GP	57	FAAL 64	128	FAVBS 60S	111
F2 2400 MDD...	57	FAAL 88	128	FAVBS 60S FA	111
F2 2400 MDG GP	57	FACS 11x100	36	FAVBS 60SV	111
F2 2400 MDG...	57	FACS 20x130A	48	FAVBS 88C	111
F2 2400 MID20	57	FACS 20x140	48	FAVBS 88M	111
F2 2400 MSD30	57	FACS 20x140A	48	FAVBS 88S	111
F2 2400 MSG30	57	FACS 20x160	48	FB175 CD 3A	39
F2 2400 PH40	120	FACS 25x140A	48	FB175 DD 0L	40
F2 2400 PH44	120	FACS 25x160	48	FB175 DD 0R	40
F2 2400 R	56	FACS 25x70	48	FB175 FT 3A	39
F2 2400 RP	56	FACS 50	36	FB175 HB	40
F2 2400 TG1M	56	FADB 21x100	126	FB175 IE 325	40
F2 2400 TG1R	56	FAFB 88F	116	FB175 PC 3A	39
F2 2400 TG2M	56	FAHBS 40	110	FB175 RC 3A	39
F2 2400 TG2R	56	FAHBS 40B	110	FB175 VB	40
F2 2400 TMDM NTB	56	FAHBS 60	110	FB295 DD 0L	40
F2 2400 TMDR NTB	56	FAHBS 62A	110	FB295 DD 0R	40
F2 2400 TMGM NTB	56	FAHBS 62B	110	FB295 FT 3A	39
F2 2400 TMGR NTB	56	FAHBS 74A	110	FB295 HB	40
F2 750 2CC 400	55	FAHBS 74B	110	FB295 IE 325	40
F2 750 C400/90	55	FAHBS 74C	110	FB295 PC 3A	39
F2 750 CC 180	55	FAHBS 74D	110	FB295 VB	40
F2 750 CV 500 5	55	FAHBS 84	110	FBAB 20	115
F2 750 D3000	54	FAHN M6	102	FBAB 60L	115
F2 750 MDD GP	57	FAHN M8	102	FBAF M20x56	116
F2 750 MDD...	57	FASB 20	102	FBCC 44	125
F2 750 MDG GP	57	FASB 35	102	FBCC 88	125
F2 750 MDG...	57	FASC 25	48	FBCD 44	125
F2 750 MID20	57	FASN M4	102	FBCD 44x88	125
F2 750 MSD30	57	FASN M5	102	FBCD 88	125
F2 750 MSG30	57	FASN M6 25	102	FBCP 60L	114
F2 750 P2	122	FASN M6B	102	FBCP 60X45	114
F2 750 P3	122	FASN M8	102	FBCS 13x50	48

# Index of References

	page		page		page
FBCS 19x50	48	FCCT 5A17	20	FCTC	120
FBCS 20x55	48	FCCT 5A20	20	FCVAB 5	33
FBEC 15x44	112	FCCT 5A30	20	FCVB...	33
FBEC 24	112	FCCT 5A40	20	FCWB...	30
FBEC 24x34	112	FCCV 5B	22	FCWD DD 0M	31
FBEC 24x44	112	FCDC 147B	127	FCWD SD 0M	31
FBEC 40	112	FCDD 147B	127	FD7	87
FBEC 44	112	FCDD A105 0L	26	FEFG 70T	116
FBEC 44x64	113	FCDD A105 0R	26	FEFU	113
FBEC 44x88	113	FCDD A105GP 0L	27	FGAP-25	105
FBEC 64	113	FCDD A105GP 0R	27	FGAR 6x20	97
FBEC 88	113	FCDE 147B	127	FGAW 160x10A	129
FBFA 100A	114	FCDH	127	FGCB 1	88
FBFA 24	115	FCDJ 147B	126	FGCB 2	88
FBFA 38A	115	FCDT 3x147B	126	FGCD 3	103
FBFA 38B	115	FCDV	127	FGCR 1	88
FBFA 38C	115	FCFC 5	13	FGCR 2	88
FBFA 58B	115	FCFT 5	13	FGDT 100	102
FBFA 84	115	FCFT 5A	13	FGDT 150	102
FBFA 88B	115	FCFT 5B	13	FGDT 200	102
FBFA 88C	115	FCFT 5B LF	13	FGDT 3x20	102
FBFA PC	119	FCFT 5D	13	FGDT 80	102
FBFE 44M12	116	FCFT 5E	13	FGEC 10x20	90
FBFE 44M8	116	FCFT 5V	13	FGEC 12x20	90
FBFE 44x64M12	116	FCHB...	32	FGEC 15x20	91
FBFE 44x88M12	116	FCIB 350	25	FGEC 18	93
FBFE 64M12	116	FCID DD 0L	28	FGEC 30D 30°	91
FBFE 88M12	116	FCID DD 0R	28	FGEC C1	88
FBFE44 M8	119	FCID SD 0L	28	FGEC C2	88
FBFJ 44	115	FCID SD 0R	28	FGEC L1	88
FBFJ 44F	115	FCIE 280P	25	FGEC L1A	88
FBFP 75	103	FCIE A105	25	FGEC L2	88
FBFT 64BP	116	FCMJ 6	48	FGFW 90L	129
FBFT 64TP	116	FCMR 200	47	FGFX 3	129
FBMJ 6P	48	FCMT 5	14	FGGR 18xL	93
FBMR 170	47	FCPC 5	12	FGGR 3x18	93
FBRB 22x63	93	FCPC 5CD	12	FGLA 660L	129
FBRW 20	114	FCPC 5GF	12	FGLA 950L	129
FBRW 20X45	114	FCPC 5HT	12	FGLB 1	88
FBRX 13	115	FCPC 5LF	12	FGLB 1C	89
FBRX 20A	114	FCPC 5P	12	FGLB 2	88
FBRX 20B	114	FCPC 5UV	12	FGLB 2C	89
FBRX 20C	114	FCPC 5V	12	FGLR 1	88
FBRY 20	114	FCPC 5VHT	12	FGLR 1C	89
FBRY 20A	114	FCPC 5VR	12	FGLR 2	88
FBRY 20x45A	114	FCPC 5WR	12	FGLR 2C	89
FBSB 15X44	112	FCRB 5A	21	FGPR FD100	87
FBSB 24X24	112	FCRB 5B	21	FGRA...	105
FBSB 24X34	112	FCRC 5A	16	FGRB 11x30C	97
FBSB 24X44	112	FCRC 5A L	16	FGRB 16x42C	97
FBSB 40X40	112	FCRC 5B	16	FGRB 16x54C	97
FBSB 44X44M	112	FCRC 5B L	16	FGRB 18x18	95
FBSB 44X64	113	FCRM180	103	FGRB 18x20	95
FBSB 44x88M	113	FCRM90	103	FGRB 18X20T	95
FBSB 64x64C	113	FCRP 3	103	FGRB 20x20	95
FBSB 64x64M	113	FCRT 5	16	FGRB 20X20T	95
FBSB 88x88M	113	FCSD A105 0L	27	FGRB 40	110
FC P2	122	FCSD A105 0R	27	FGRB 40x15x20	96
FC P3	122	FCST 5	13	FGRB 40x18	96
FCAN 5	102	FCST 5S	13	FGRB 40x20	96
FCAN 6	102	FCST 5S NF	13	FGRB 40x42C	97
FCAN 8	102	FCTB 105	25	FGRB 84	110
FCCB 3R	24	FCTB 105P	25	FGRB...	104
FCCC 160	24	FCTB 105PSD	25	FGRC 100	91
FCCD DD 0L	29	FCTB 105SD	25	FGRC 18x110C	92
FCCD DD 0R	29	FCTB 280	25	FGRC 18x160C	92
FCCD SD 0L	29	FCTB 280P	25	FGRC 20	98
FCCD SD 0R	29	FCTB A105	25	FGRC 20A	98
FCCT 5A15	20	FCTB A105P	25	FGRC 60	91

Flexmove

Flexinox

Flextoo

Robur

CAB

Guides

Legs



# Index of References

	page		page		page
FGRD 10	104	FKCT 5K3 L	19	FLSD A150 0L	27
FGRD 12	104	FKCT 5K5.5 L	19	FLSD A150 0R	27
FGRD 15	104	FKCT 5K9 L	19	FLTB 150	25
FGRD 18A	94	FKCV 5B	22	FLTB 150P	25
FGRD 20	104	FKCV 5C	22	FLTB 150PSD	25
FGRD 30	104	FKDD 250 0L	26	FLTB 150SD	25
FGRD 30B	96	FKDD 250 0R	26	FLTB A150	25
FGRD 3D	94	FKDD A45 0L	26	FLTB A150P	25
FGRD 6	104	FKDD A45 0R	26	FLTC	120
FGRD 6A	94	FKDD A45GP 0L	27	FLVB...	33
FGRD 6B	96	FKDD A45GP 0R	27	FLWB...	30
FGRD 6P	103	FKFC 5	13	FLWD SD 0M	31
FGRF 40x12	96	FKFT 5	13	FM P2	122
FGRF 40x18	96	FKFT 5C	13	FM P3	122
FGRF 42x18V	94	FKHB...	32	FMB14 5	14
FGRF 42x18VH	94	FKID DD 0L	28	FMCC 160	24
FGRF A110	97	FKID DD 0R	28	FMCC 160D	24
FGRF A35	97	FKID SD 0L	28	FMCD DD 0L	29
FGRF DP	97	FKID SD 0R	28	FMCD DD 0R	29
FGRJ 10x20	90	FKIE 200	25	FMCD SD 0L	29
FGRJ 15x20	91	FKPC 5	12	FMCD SD 0R	29
FGRJ 18x18	93	FKPC 5CD	12	FMCT 5A15	20
FGRK 18CE	93	FKPC 5P	12	FMCT 5A17	20
FGRK 18x130A	92	FKPC 5PV	12	FMCT 5A30	20
FGRK 18x40A	92	FKPC 5UV	12	FMCT 5D40 L	18
FGRK 18x60A	92	FKPC 5WR	12	FMCT 5D60 L	18
FGRK 18x80A	92	FKRD 5 3	23	FMCT 5D80 L	18
FGRL 18x110C	92	FKRD 5 6	23	FMCT 5F15 L	18
FGRL 18x110CA	92	FKRG 5 3	23	FMCT 5F20 L	18
FGRL 18x160C	92	FKRG 5 6	23	FMCT 5F30 L	18
FGRL 18x160CA	92	FKSD A45 0L	27	FMCV 5B	22
FGRN 3U	94	FKSD A45 0R	27	FMDC 127B	127
FGRR 3x20x10	90	FKST 5S	13	FMDD 127B	127
FGRR 3x20x10 B	90	FKTB 200	25	FMDD A85 0L	26
FGRR 3x20x10 F	90	FKTB 200P	25	FMDD A85 0R	26
FGRR 3x20x10P	90	FKTB 45	25	FMDD A85GP 0L	27
FGRR 3x20x10T	90	FKTB 45P	25	FMDD A85GP 0R	27
FGRR 3x20x12	90	FKTB 45PSD	25	FMDE 127B	127
FGRR 3x20x15P	91	FKTB 45SD	25	FMDH	127
FGRR FG25	90	FKTC 44	120	FMDJ 127B	126
FGRRF 3x20x15	91	FKTR 5	23	FMDT 3x127B	126
FGRS 15x20	93	FKVAB 5	33	FMDV	127
FGRS 18	93	FKVB...	33	FMFC 5	13
FGRT 3x23	91	FKWB...	30	FMFT 5	13
FGRT 3x23A	91	FKWD DD 0M	31	FMFT 5A	13
FGRT 3x33	91	FKWD SD 0M	31	FMFT 5B	13
FGRT 3x33A	91	FKWT 5A	15	FMFT 5D	13
FGRT 3x50	91	FKWT 5C	15	FMFT 5E	13
FGRX 15x20	95	FKWT 5D	15	FMFT 5V	13
FGRX 18x18	95	FKWT 5DA	15	FMHB...	32
FGRX 18x20	95	FKWT 5DB	15	FMIB 300	25
FGRX 20x20	95	FL P2	122	FMID DD 0L	28
FK P2	122	FL P3	122	FMID DD 0R(	28
FK P3	122	FLCB	24	FMID SD 0L	28
FK2R 5 3	23	FLCC 160	24	FMID SD 0R	28
FK2R 5 6	23	FLCD 5V	12	FMIE 260P	25
FKCC 160	24	FLDD A150 0L	26	FMIE A85	25
FKCD DD 0L	29	FLDD A150 0R	26	FMMJ 6	48
FKCD DD 0R	29	FLDD A150GP 0L	27	FMMR 140	47
FKCT 5B	17	FLDD A150GP 0R	27	FMMT 5	14
FKCT 5B 36	17	FLFC 5V	13	FMPC 5	12
FKCT 5B PBT	17	FLFJ 69	116	FMPC 5 R500	14
FKCT 5C	17	FLFT 5V	13	FMPC 5 R700	14
FKCT 5F3 L	18	FLHB...	32	FMPC 5CD	12
FKCT 5F5 L	18	FLIE A150	25	FMPC 5GF	12
FKCT 5F9 L	18	FLPC	120	FMPC 5HT	12
FKCT 5J6 L	19	FLPC 5V	12	FMPC 5LF	12
FKCT 5K20 L	19	FLRC 5VB	16	FMPC 5P	12
FKCT 5K27 L	19	FLRT 5V	16	FMPC 5UV	12

# Index of References

	page		page		page
FMPC 5V	12	FSCT 5F15 L	18	FSRM180	103
FMPC 5WR	12	FSCT 5F30 L	18	FSRM90	103
FMRB 5A	21	FSCT 5FL12 L	18	FSRP 3	103
FMRB 5B	21	FSCT 5FR12 L	18	FSRT 5	16
FMRB 5C	21	FSCT 5G12	20	FSRT 5 L	16
FMRB 5D	21	FSCV 5A	22	FSSD A65 0L	27
FMRC 5A	16	FSCV 5B	22	FSSD A65 0R	27
FMRC 5B	16	FSCV 5C	22	FSST 5FA	13
FMRC 5B L	16	FSCV 5D	22	FSST 5S	13
FMRC 5C	16	FSCV 5E	22	FSTB 200	25
FMRC 5C L	16	FSCV 5F	22	FSTB 200P	25
FMRT 5	16	FSDC 107B	127	FSTB 65	25
FMSD A65 0R	27	FSDD 107B	127	FSTB 65P	25
FMSD A85 0L	27	FSDD 250 0L	26	FSTB 65PSD	25
FMST 5FA	13	FSDD 250 0R	26	FSTB 65SD	25
FMST 5S	13	FSDD A65 0L	26	FSTB A65	25
FMST 5S NF	13	FSDD A65 0R	26	FSTB A65P	25
FMTB 260	25	FSDD A65GP 0L	27	FSTC	120
FMTB 260P	25	FSDD A65GP 0R	27	FSUC 5	14
FMTB 85	25	FSDE 107B	127	FSUC 5-L	14
FMTB 85P	25	FSDH	127	FSVAB 5	33
FMTB 85PSD	25	FSDJ 107B	126	FSVB...	33
FMTB 85SD	25	FSDT 3x107B	126	FSWB...	30
FMTB A85	25	FSDV	127	FSWD DD 0M	31
FMTB A85P	25	FSFC 5	13	FSWD SD 0M	31
FMTC	120	FSFT 5	13	FSWT 5A	15
FMUC 5	14	FSFT 5A	13	FSWT 5B	15
FMUC 5-L	14	FSFT 5B	13	FSWT 5BA	15
FMVAB 5	33	FSFT 5C	13	FSWT 5C	15
FMVB...	33	FSFT 5D	13	FSWT 5D	15
FMWB...	30	FSFT 5E	13	FSWT 5DA	15
FMWD DD 0M	31	FSHAB 5	32	FSWT 5DB	15
FMWD SD 0M	31	FSHB...	32		
FMWT 5A	15	FSIB 206	25	<b>G</b>	
FMWT 5B	15	FSID DD 0L	28	GAB F2	54
FMWT 5C	15	FSID DD 0R	28	GAB F45	47
FMWT 5DA	15	FSID SD 0L	28	GAB FK	47
FMWT 5DC	15	FSID SD 0R	28	GAB FM	47
FS P2	122	FSIE 200	25	GH5 1B	99
FS P3	122	FSIE A65	25	GH5 1PM	99
FS2R 5 18	23	FSMJ 4	48	GH5 2	99
FSCC 160	24	FSMR 140	47	GH5 3	99
FSCD DD 0L	29	FSMT 5	14	GH5 4	99
FSCD DD 0R	29	FSNS 5	14	GH5 5	99
FSCD SD 0L	29	FSPC 5	12		
FSCD SD 0R	29	FSPC 5 36	17	<b>J</b>	
FSCT 5A12	20	FSPC 5 36 PBT	17	JEC4 11	112
FSCT 5A15	20	FSPC 5 51	17	<b>K</b>	
FSCT 5A17	20	FSPC 5 51 PBT	17	KPS	24
FSCT 5A30	20	FSPC 5 52	17		
FSCT 5A4	20	FSPC 5 52 PBT	17	<b>M</b>	
FSCT 5A40	20	FSPC 5 76	17	MPS	24
FSCT 5A5.5	20	FSPC 5 76 PBT	17		
FSCT 5A9	20	FSPC 5 R700	14	<b>P</b>	
FSCT 5B	17	FSPC 5 R700 56	14	PAST M4x6	47
FSCT 5B 51	17	FSPC 5 R700 56 PBT	14	PAST M5x6	47
FSCT 5B 51 PBT	17	FSPC 5 R700 PBT	14	PAST M5x8	47
FSCT 5B 76	17	FSPC 5CD	12	PATTE UF	125
FSCT 5B 76 PBT	17	FSPC 5GF	12	PCPE	47
FSCT 5B PBT	17	FSPC 5HT	12	PL1	117
FSCT 5C	17	FSPC 5LF	12	PL1 64	117
FSCT 5C 51	17	FSPC 5P	12	PRESSE D3	47
FSCT 5C 51 PBT	17	FSPC 5PBT	12	PRESSE D3 F45	47
FSCT 5C PBT	17	FSPC 5PV	12	PRESSE D3-F2	54
FSCT 5D12	20	FSPC 5UV	12	PRESSE D4	47
FSCT 5D15	20	FSPC 5WR	12	PSR 66 104 CC	99
FSCT 5D30	20	FSRB 5C	21		
FSCT 5D5	20	FSRC 5A	16		
FSCT 5E55 L	18	FSRC 5A L	16		

Flexmove

Flexinox

Flextoo

Robur

CAB

Guides

Legs

# Index of References

	page		page		page
<b>R</b>		SAHBS 90C	124	SSDD 0R	42
R1 D	66	SAHBS 90M	124	SSDD GP 0L	42
R1 MD20	67	SAHBS 90S	124	SSDD GP 0R	42
R1 MG20	67	SC P2	124	SSID DD 0L	42
R1 P2	122	SC P3	124	SSID DD 0R	42
R1 P3	122	SCCB	43	SSIE 320	42
R1 PS	66	SCCC 160	43	SSTB 65	42
R1 R	67	SCDD 0L	42	SSTB 65P	42
R1 SL1/21.5M	100	SCDD 0R	42	SSVB	44
R1 SL32-SL40	100	SCDD GP 0L	42	SSWB	44
R1 SL32-SL50	100	SCDD GP 0R	42		
R2 C200	74	SCID DD 0L	42	<b>T</b>	
R2 C500	73	SCID DD 0R	42	TC44	112
R2 CV500	73	SCIE 325	42	TC44 88	113
R2 D...x-MONO	71	SCTB 105	42	TC64	113
R2 MD20	72	SCTB 105P	42	TC88	113
R2 MG20	72	SCVB	44	TI12	87
R2 P2	122	SCWB	44	TUA 42	118
R2 P3	122	SERT D3	47	TUA 60 4R	118
R2 PS	71	SERT D4	47	TUX 42	118
R2 R	72	SGEC 19	93	TUX 60	118
R2 SL1/17M	100	SGGR 19x150	93		
R2 SL2-H65	100	SGGR 19x200	93	<b>U</b>	
R2 SL2-H86	100	SGGR 3x19	93	U125 63 ETRIER	117
R2 SL32-SL40	100	SGRB 18x18	95		
R2 SL32-SL50	100	SGRB 18x20	95		
R2 SL32P	117	SGRB 18X20T	95		
R2 SL32PL	117	SGRB 20x20	95		
R2 SLA...	100	SGRB 40x18	96		
R2TB D	66	SGRB 40x20	96		
R2TB FS	66	SGRC 18x110C	92		
R2TB MD20	67	SGRC 18x160C	92		
R2TB MG20	67	SGRF 42x18V	94		
R2TB PS	66	SGRF A110	97		
R2TB R	67	SGRF A35	97		
R3 C200	74	SGRJ 3x19	93		
R3 C500	73	SGRK 12x130A	98		
R3 CV500	73	SGRK 12x80A	98		
R3 D..x.-MONO	71	SGRK 18x130A	92		
R3 MD20	72	SGRK 18x80A	92		
R3 MG20	72	SGRL 18x110C	92		
R3 P2	122	SGRL 18x110CA	92		
R3 P3	122	SGRL 18x160C	92		
R3 PS	71	SGRL 18x160CA	92		
R3 R	72	SGRS 18	93		
R3TB D	66	SGRX 18x18	95		
R3TB FS	66	SGRX 18x20	95		
R3TB MD20	67	SGRX 20x20	95		
R3TB MG20	67	SM P2	124		
R3TB PS	66	SM P3	124		
R3TB R	67	SMCB	43		
R4 C500	73	SMCC 160	43		
R4 CV500	73	SMDD 0L	42		
R4 MD20	72	SMDD 0R	42		
R4 MG20	72	SMDD GP 0L	42		
R4 P2	122	SMDD GP 0R	42		
R4 P3	122	SMID DD 0L	42		
R4 PG	75	SMID DD 0R	42		
R4 PG-CD	75	SMIE 320	42		
R4 R	72	SMTB 85	42		
RI12	87	SMTB 85P	42		
RIVET ALU 3X6.5	47	SMVB	44		
RIVET ALU 4X6.5	47	SMWB	44		
RIVET ALU 4X8	47	SPS	24		
RONDELLE PA 8/20	102	SS P2	124		
		SS P3	124		
<b>S</b>		SSCB	43		
SACS 50x75	48	SSCC 160	43		
		SSDD 0L	42		







## FABER

SAS au capital de 1 000 000 €  
RCS Sedan B 685 780 363  
SIRET 685 780 363 00022  
Code APE : 2229A  
N° TVA : FR 07 685 780 363

### Siège social & usine

ZI - rue Michelet  
08140 Bazeilles  
BP 50904 - 08209 Sedan Cedex  
Tél. : +33 (0)3 24 27 03 29  
Fax : +33 (0)3 24 27 51 66  
E-mail : [info@faber.fr](mailto:info@faber.fr)

### Coris

1 bis rue de la Pompadour  
ZI de la Haie Griselle  
94470 Boissy-Saint-Léger  
Tél. : +33 (0)1 43 89 21 22  
Fax : +33 (0)1 43 89 22 33  
E-mail : [info@coris94.fr](mailto:info@coris94.fr)