

**elcom**

**Modular transfer system**

PDF- Catalog Modular Transfer System

# Modular Transfer System



**TLM 1000**

**TLM 2000**

156, route de Lyon  
38300 DOMARIN  
FRANCE

Phone (33) 4 37 03 33 55  
Fax (33) 4 37 03 33 59

September 2001 edition

e-mail : [tlm@elcom.fr](mailto:tlm@elcom.fr)  
web : [www.elcom-transfer.com](http://www.elcom-transfer.com)

© TLM SA 2001

Technical modifications and errors reserved. All rights reserved. Use of texts and illustrations or reprints of any kind only permitted with our prior written consent. This also applies for reproduction, translation or use in electronic system.

**TLM** is a registered trademark of TLM SA.

**elcom** is a registered trademark of elcom SA.

## Notes

### Patents

Many of the components and products contained in this catalogue are subject to industrial property rights. Any copying of protected products is a violation of these rights and, as such, shall be liable to compensation. Data and illustrations in this catalogue do not discharge the user of the obligation to carry out his own checks to determine whether the industrial property rights of third parties are infringed.

# Index

Designation	Page
<b>Synoptic</b>	<b>4-5</b>
<b>Application examples</b>	<b>6-8</b>
<b>General principle</b>	<b>9</b>
<b>Data</b>	<b>10</b>
<b>Sections</b>	<b>11</b>
<b>Workpiece carriers</b>	<b>12</b>
Workpiece carrier 100	13
Workpiece carrier U 200	14
Workpiece carrier M 200	15
90° kit 200	15
Workpiece carrier U 300-400	16
Workpiece carrier M 300-400	17
90° kit 300-400	17
<b>Conveying units</b>	<b>18</b>
Unit 100	19
Spacer 100	19
Units 200-300-400	20
Spacers 200-300-400	21
Straight joinings	21
Height reductions	22
Conveyor cuts	22
<b>Cams</b>	<b>23</b>
Cam 100	24
Cam 200-300-400	25
Short cam 200	26
Short cam 300-400	27
Double cam 200	28
Double cam 300-400	29
<b>Derivations Kit</b>	<b>30</b>
Derivation 100	31
Derivations 200-300-400	32
<b>Returns 180°</b>	<b>33</b>
Return 180° 100	33
Returns 180° 200-300	34
Return 180° 400	35
<b>90° swivelling</b>	<b>36</b>
90° swivelling 100	36
90° swivelling 200-300-400	37
180° swivelling 200-300-400	38
<b>Lifts</b>	<b>39</b>

Designation	Page
<b>Conveying unit stand</b>	<b>40</b>
Conveying unit stand	40
Simple stand	40
Double stand	40
<b>Stoppers</b>	<b>41</b>
Stopper 100 (simple effect-double effect)	42
Stoppers 200-300-400	43
Shorts stoppers	44
<b>Positioning units</b>	<b>45</b>
Positioning unit 100	46
Positioning unit 200-300-400	47
Positioning unit for station 100	48
Positioning unit for station 200-300-400	49
Heavy positioning unit 100	50
Heavy positioning unit 200-300-400	51
Lift positioning unit 100	52
Lift positioning unit 200-300-400	53
Press-positioning units	54
Multi-positioning units 100	55
Multi-positioning units 200	56
<b>Sensor bracket M12x100</b>	<b>57</b>
<b>Anti-bouncing back device</b>	<b>57</b>

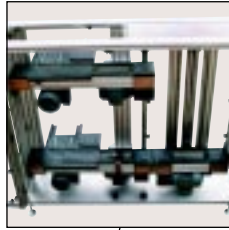
## Additional implements

<b>Logic block</b>	<b>58</b>
<b>Inductive sensor M12x100</b>	<b>59</b>
<b>Cylinder sensor</b>	<b>59</b>
<b>Positioning kit</b>	<b>59</b>
<b>Belt welding kit</b>	<b>60</b>
<b>Bevelling device</b>	<b>60</b>
<b>Belt</b>	<b>60</b>
<b>CAD files</b>	<b>61</b>
<b>Configuration example</b>	<b>62</b>
<b>Elcomodularity</b>	<b>63</b>

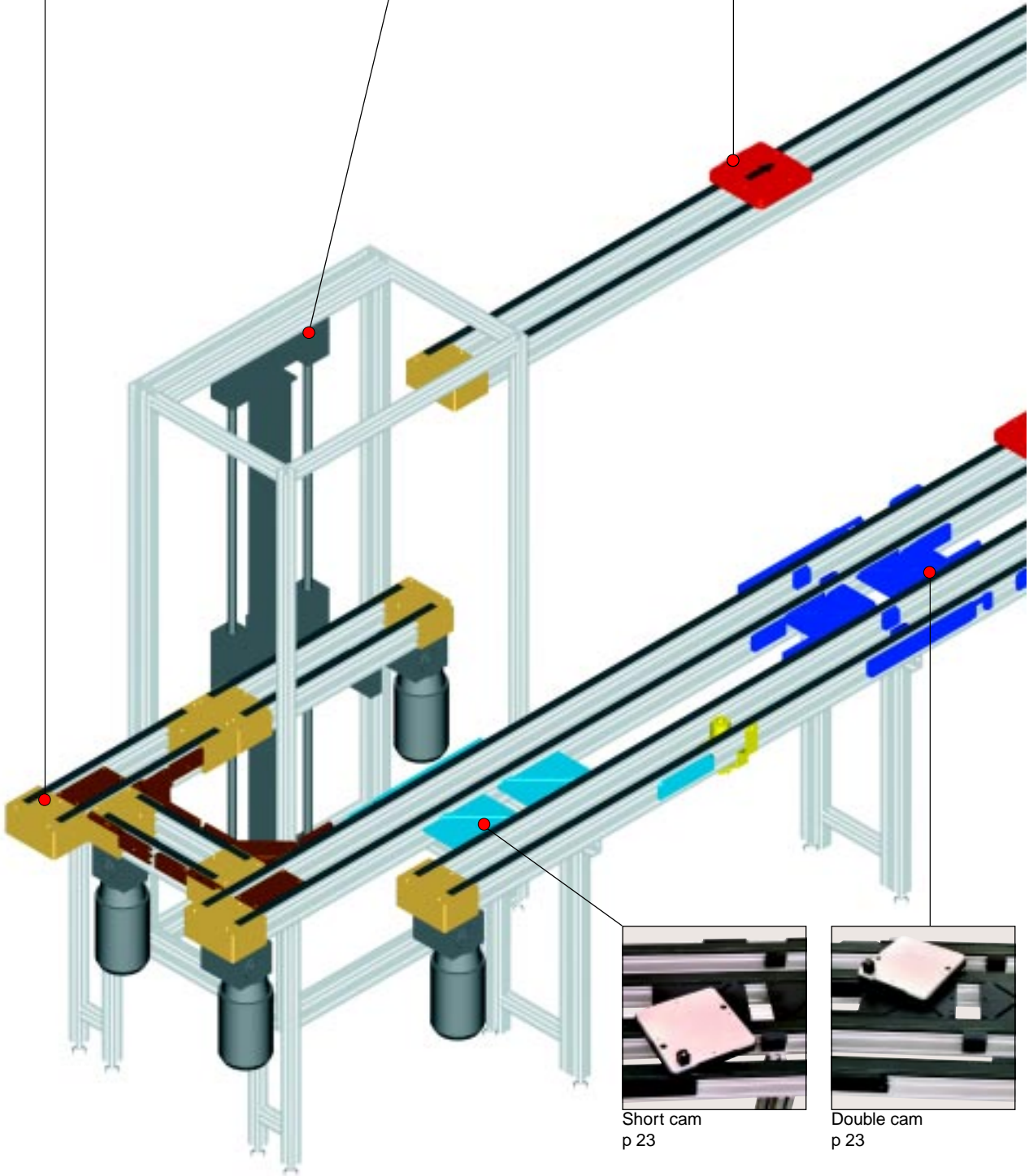
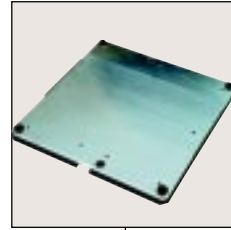
Conveying unit  
p 18



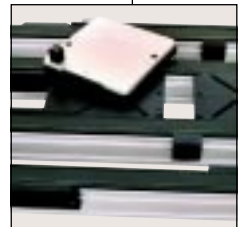
Lift  
p 39



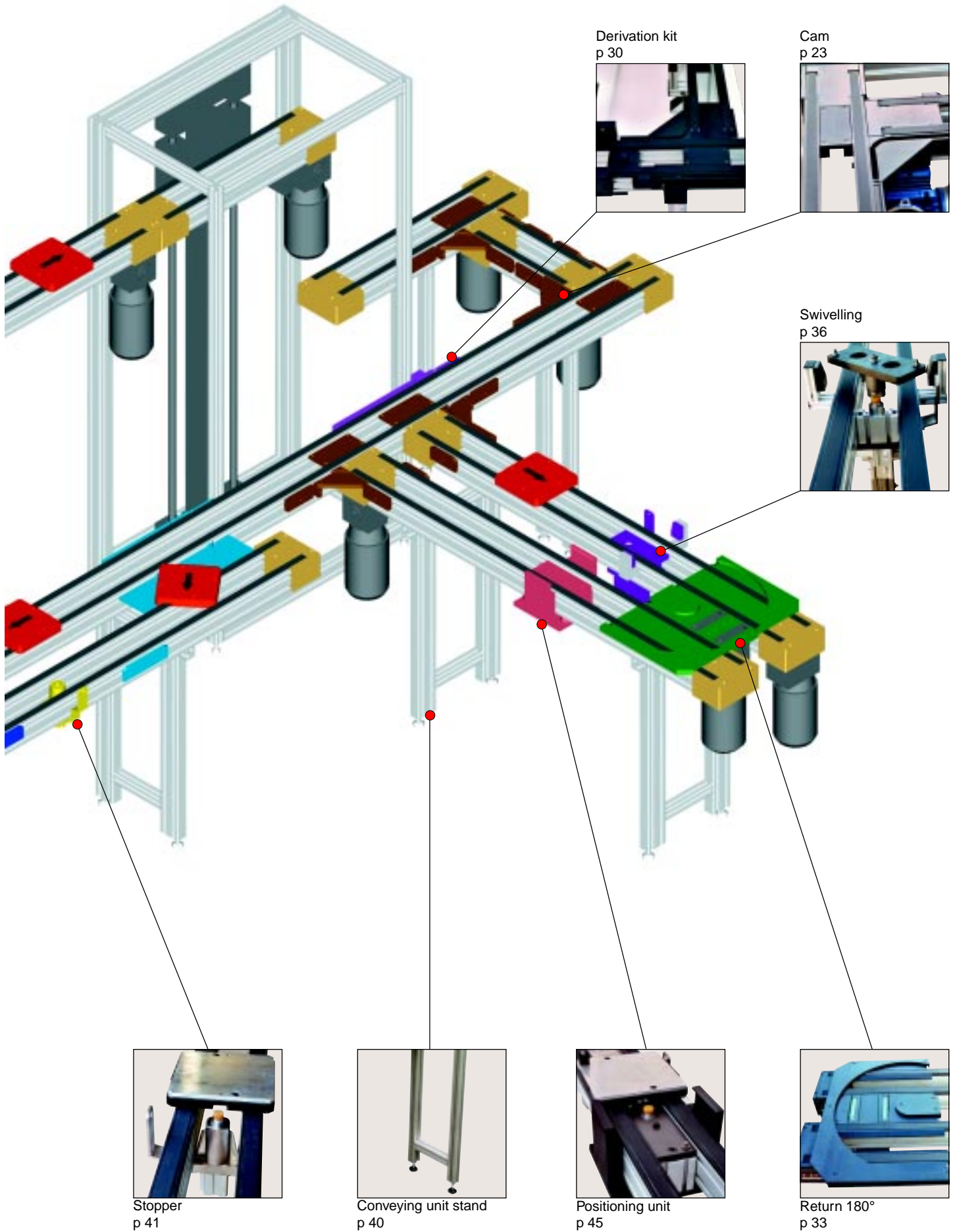
Workpiece carrier  
p 12



Short cam  
p 23



Double cam  
p 23





## **TLM 1000** **TLM 2000**

Flexible and economical industrial system adapted to conveying workpiece carriers on assembly lines with automatic or manually operated work stations.





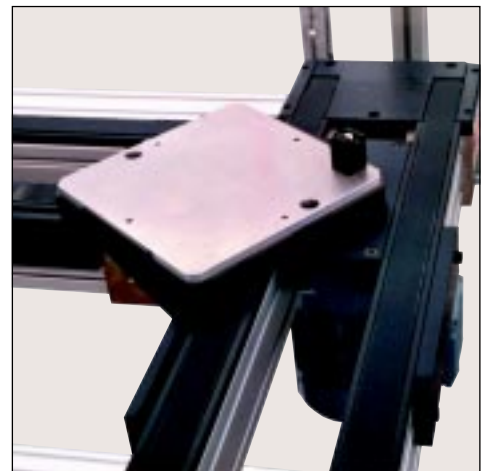
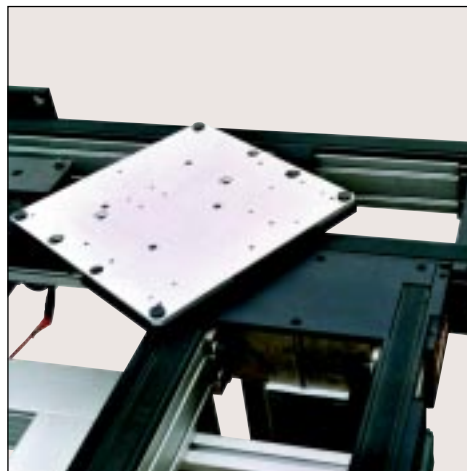
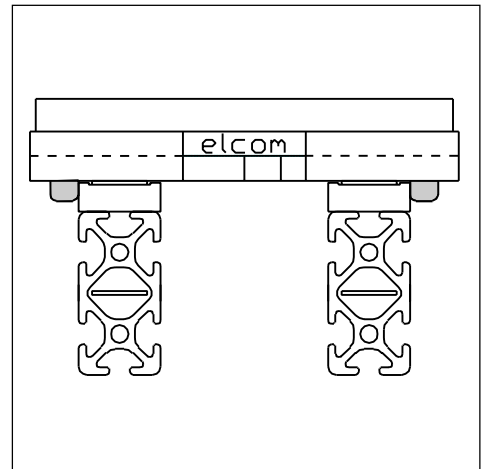




# General principle

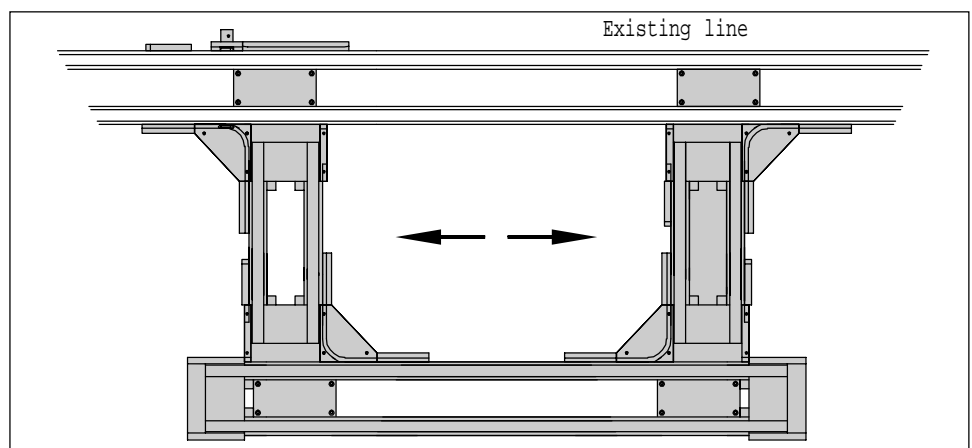
Workpiece carriers are conveyed on two parallel belts which leave necessary room for stoppers, positioning units...  
 Retractable pins, located under the workpiece carrier, allow :

- > guiding the workpiece carrier with four pins on straight sections,
- > guiding the workpiece carrier round bends with two pins (the other being retracted).



The modular design of TLM 1000 and TLM 2000 transfer system as well as the use of standard elements allow a great flexibility in the conception of assembly lines and reduce the time necessary for survey and implementation.

Further extensions and modifications can be easily made.



## Data

	TLM 1000	TLM 2000		
Workpiece carriers (mm)	100x100  100x150	200x200 200x250 200x300 300x300 300x400 400x400		
Load/workpiece carrier (daN)	2	10		
Speed (m/mn)	10 - 15 - 20	9 - 15 - 19		
Length of conveying unit Mini Maxi	500 3 160	500 6 250		
Maxi accumulation load per motor (daN)	25	100		
Motor power (380 V three-phases) (different powers on request)	0,09 KW - 0,4 A	V	KW	A
		9	0,25	0,68
		15	0,37	1,24
		19	0,55	1,60

The maximum length of the conveying units are respectively :  
 > 3160 mm for TLM 1000  
 > 6250 mm for TLM 2000

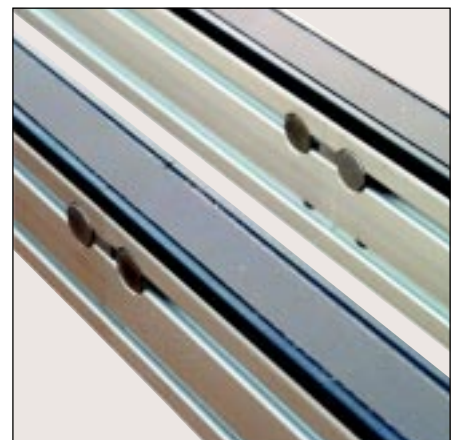
For long spans, several elements can be joined end to end.

For important accumulations, the length of the conveying units is adapted to the load.

It is recommended to place sensors in order to control accumulation of the load.

Pneumatic cylinders must be equipped with flow rate controllers.

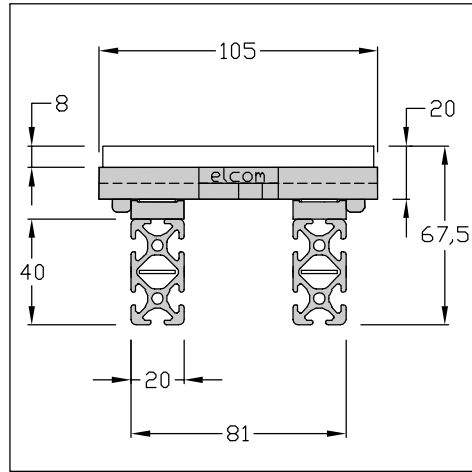
It is possible for long spans to be cut in order to facilitate the dismantling of the machines.



# Sections

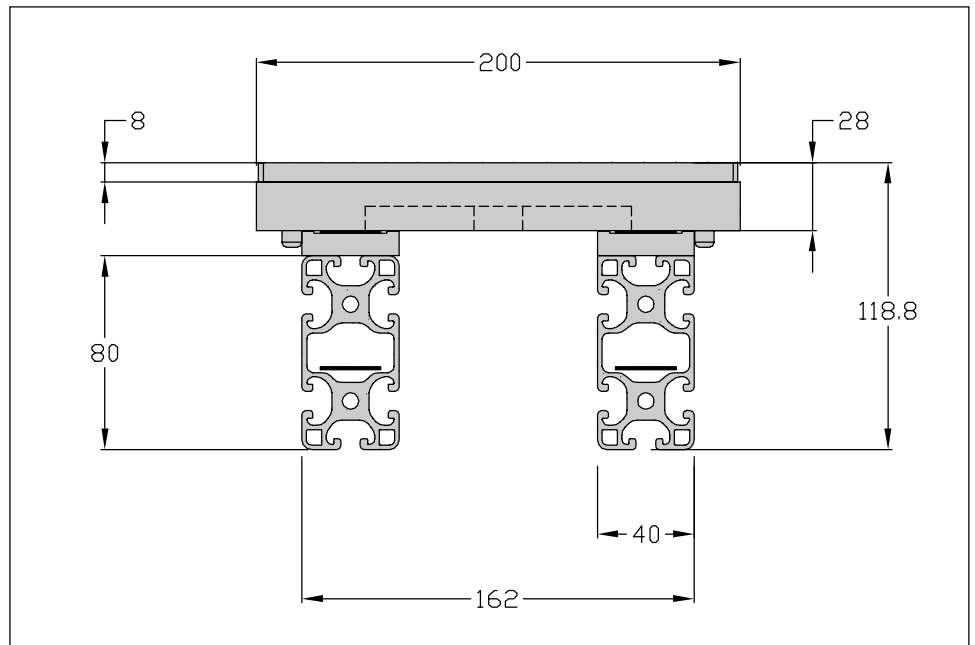
## TLM 1000

Width 100

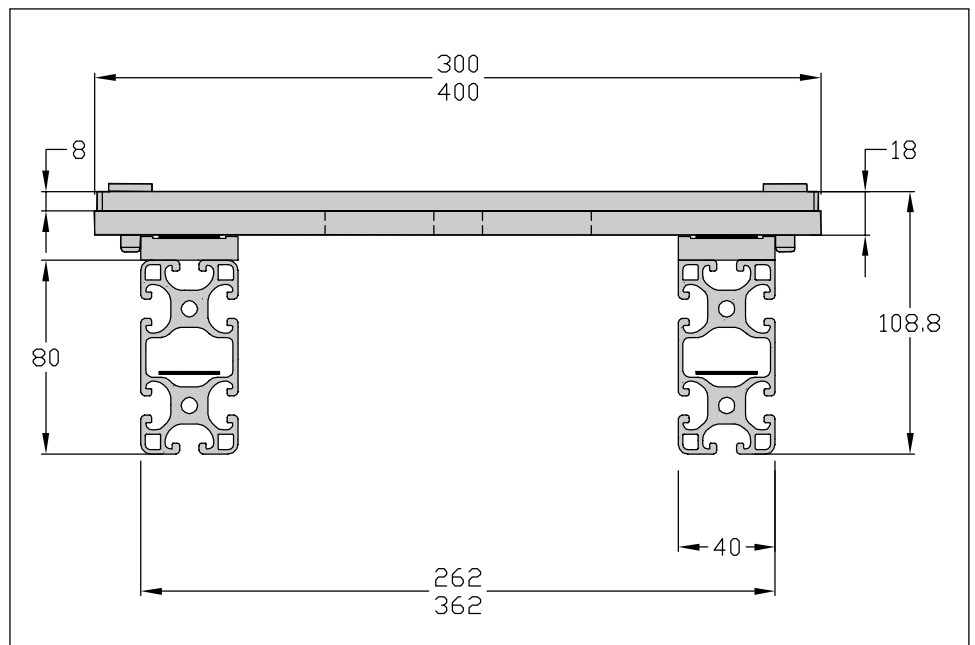


## TLM 2000

Width 200



Width 300  
400



## Workpiece carriers

### Use :

Workpiece carriers are used to support and position the components during the process.

The upper plate (made of aluminium) is used to fix the components and perform an accurate positioning of the workpiece carrier.

The PA base (which has a very low friction coefficient) is used to shelter the pins and to stop the workpiece carrier on the stopper.

Steel bushes assure perfect accuracy and resistance against deterioration.

Small metallic bars allow detection at stoppers and at positioning units.

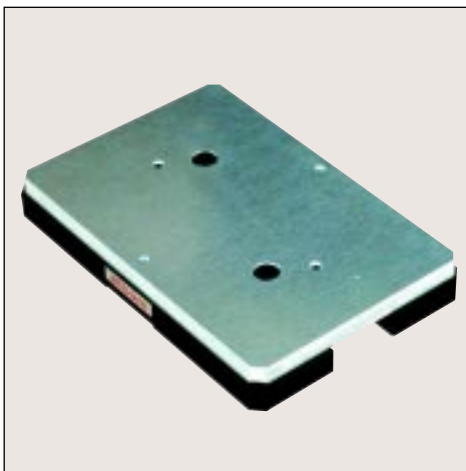
### Unidirectional workpiece carriers :

They are used in applications which don't require any swivelling.

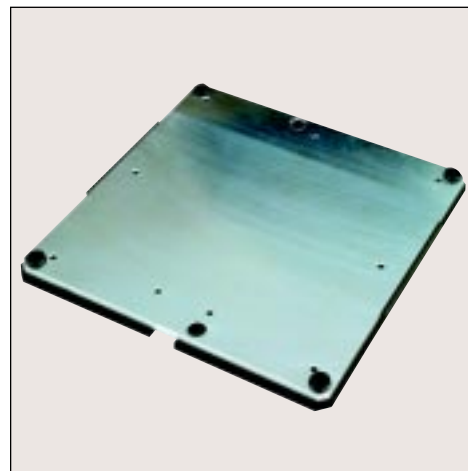
They allow operating with only one sensor in «stopper up mode».

### Multidirectional workpiece carriers :

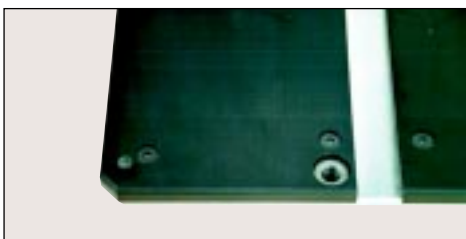
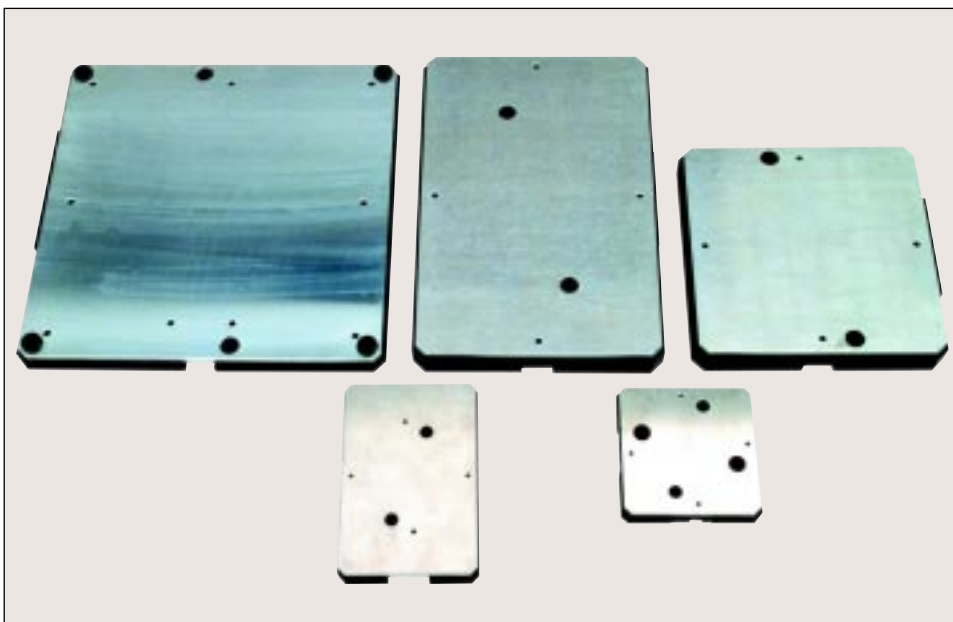
They can be used in case of swivelling of the workpiece carrier on the line, (90° and 180° for the square workpiece carriers, only 180° for the rectangular workpiece carriers).



Workpiece carrier 100x150



Workpiece carrier 300x300



Details of workpiece carrier

### 90° kit :

Necessary for a 90° swivelling of the workpiece carrier on the line.

Including 2 bushes and 2 detection bars.

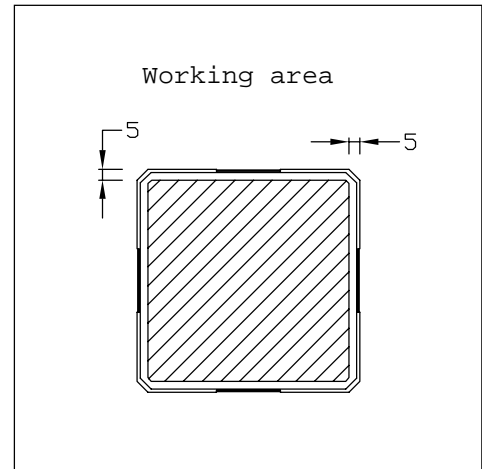
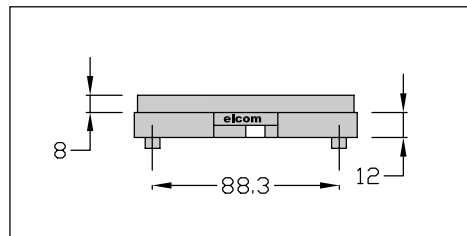
## Workpiece carriers

TLM 1000

### Width 100

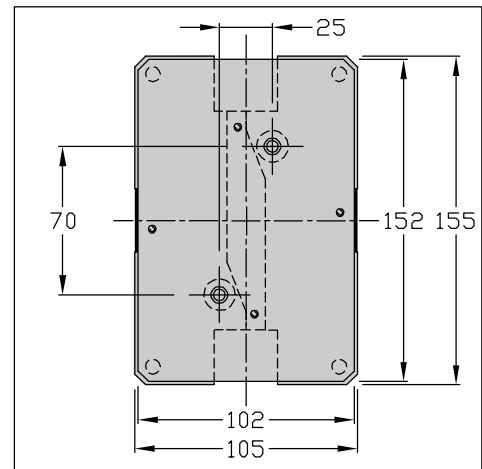
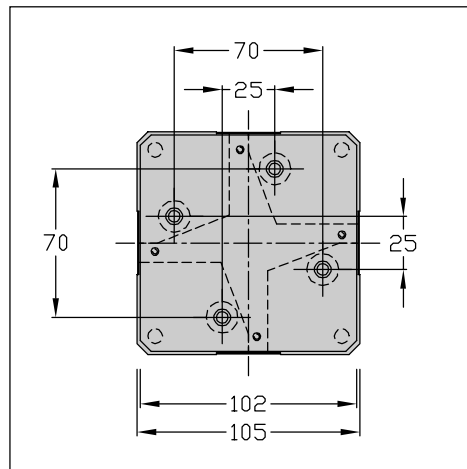
#### Technical data :

- Plate Al
- Base, PA black
- 2 steel bushes
- 4 pins PA
- 4 springs
- 4 countersunk screws M4x10
- 2 detection bars
- 2 plugs



#### Multidirectional workpiece carriers :

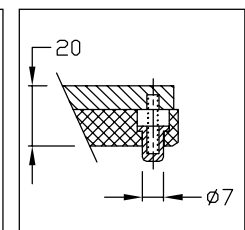
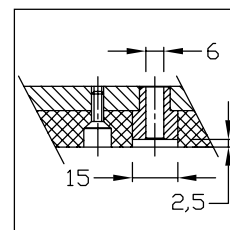
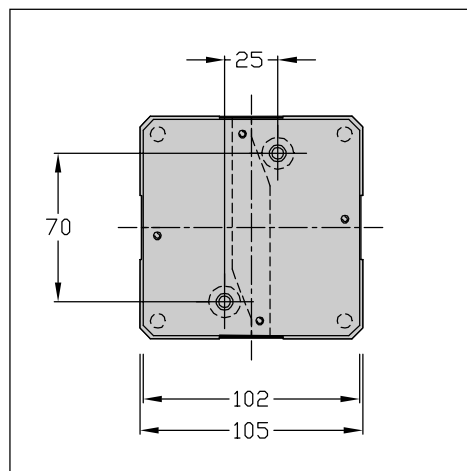
- Plate Al
- Base, PA black
- 4 steel bushes
- 4 pins PA
- 4 springs
- 4 countersunk screws M4x10
- 4 detection bars
- 4 plugs



#### Weight :

- 100x100 : 0,41 kg
- 100x150 : 0,53 kg

Maximum load : 2 daN



Designation/Dimensions	Order unit	Reference
Workpiece carrier 100x100	1 pce	110.61.000
Multidirectional w. carrier 100x100	1 pce	110.63.000
Workpiece carrier 100x150	1 pce	115.61.000

## Workpiece carriers

### Unidirectional

TLM 2000


### Width 200

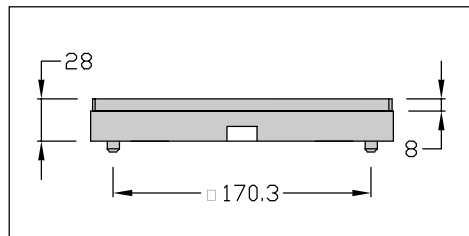
#### Technical data

- Plate Al
- Base, PA black
- 2 steel bushes
- 4 pins PA
- 4 springs
- 3 countersunk screws M6x25
- 1 countersunk screw M6x16
- 2 detection bars
- 2 plugs

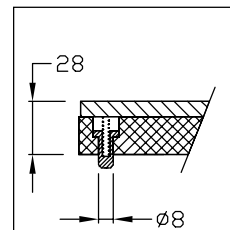
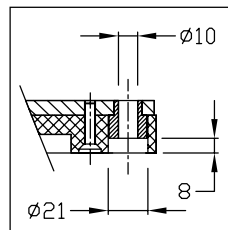
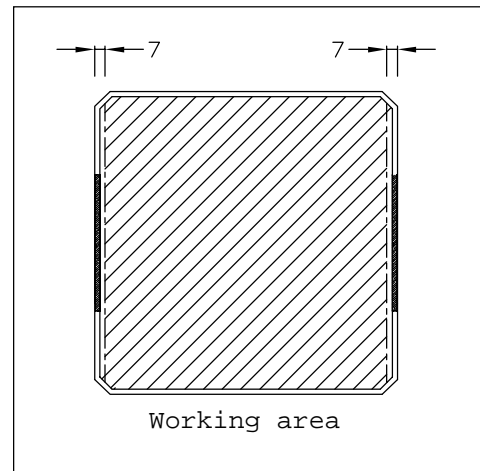
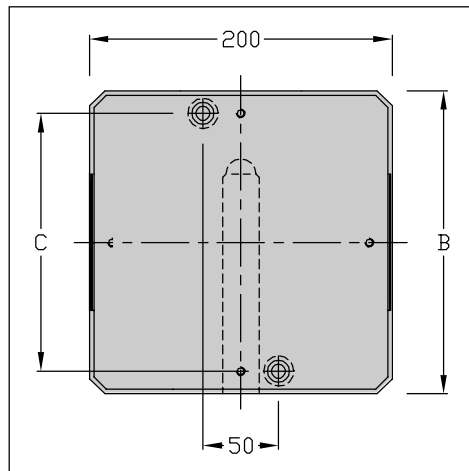
#### Weight :

- 200x200 : 1,75 kg
- 200x250 : 2,20 kg
- 200x300 : 2,63 kg

 Maximum load : 10 daN



Length	B	C
200	170	
250	170	
300	170	



Designation/Dimensions	Order unit	Reference
Workpiece carrier U 200x200	1 pce	120.61.000
Workpiece carrier U 200x250	1 pce	125.62.000
Workpiece carrier U 200x300	1 pce	123.62.000

## Workpiece carriers

### Multidirectional

TLM 2000


### Width 200

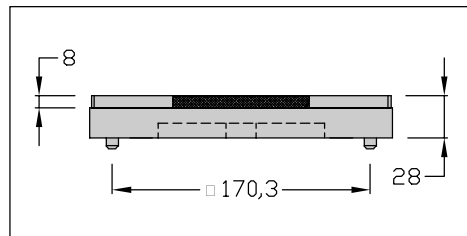
#### Technical data

- Plate Al
- Base, PA black
- 2 steel bushes
- 4 pins PA
- 4 springs
- 4 countersunk screws M6x25
- 2 detection bars
- 2 plugs

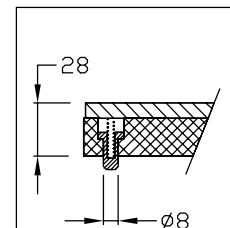
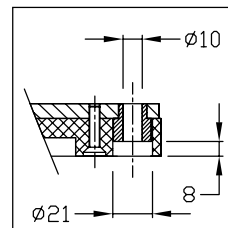
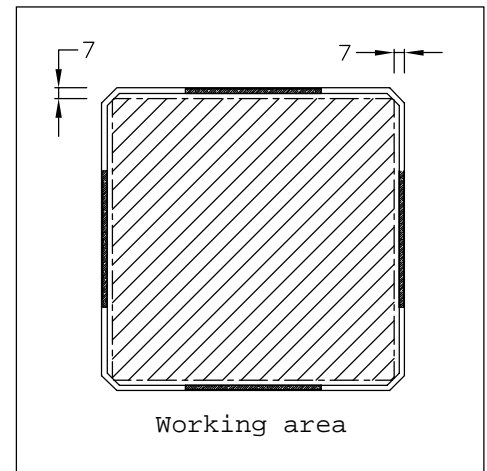
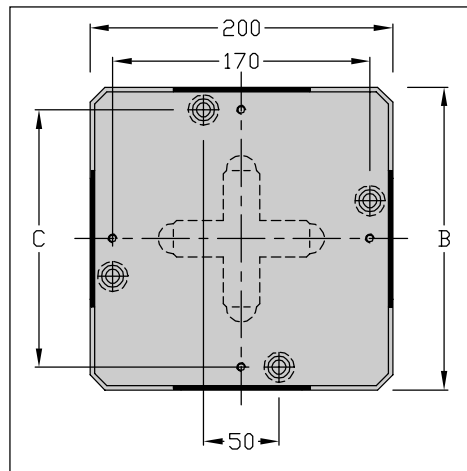
#### Weight :

- 200x200 : 1,75 kg
- 200x250 : 2,20 kg
- 200x300 : 2,63 kg

 Maximum load : 10 daN



Length	
B	C
200	170
250	170
300	170



#### Option : 90° kit

- 2 detection bars
- 2 steel bushes
- 2 plugs

Designation/Dimensions	Order unit	Reference
Workpiece carrier M 200x200	1 pce	120.63.000
Workpiece carrier M 200x250	1 pce	125.73.000
Workpiece carrier M 200x300	1 pce	123.73.000
90° kit 200x200	1 pce	900.00.001

## Workpiece carriers

### Unidirectional

TLM 2000


Width 300  
400

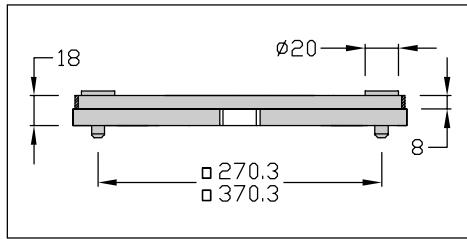
#### Technical data

- Plate Al
- Base, PA black
- 2 steel bushes
- 4 pins PA
- 4 springs
- 9 countersunk screws M6x16
- 2 detection bars
- 2 plugs

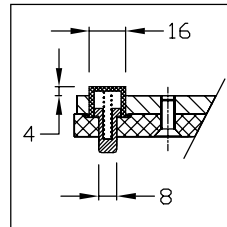
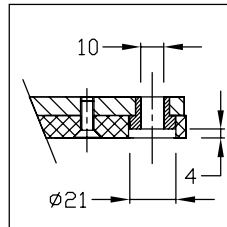
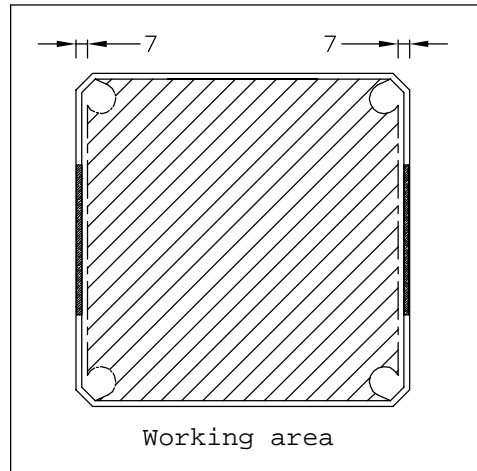
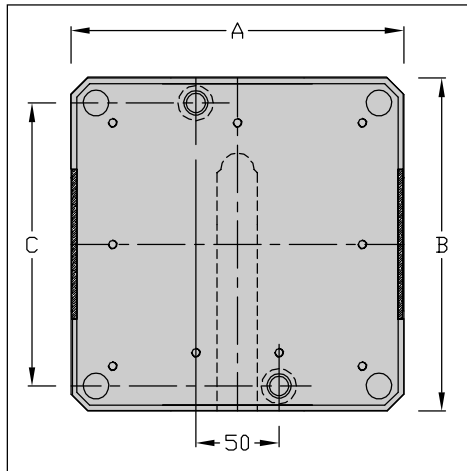
#### Weight :

- 300x300 : 3,10 kg
- 300x400 : 4,10 kg
- 400x400 : 5,40 kg

 Maximum load : 10 daN



Width	Length	
A	B	C
300	300	270
300	400	370
400	400	370



Designation/Dimensions	Order unit	Reference
Workpiece carrier U 300x300	1 pce	130.61.000
Workpiece carrier U 300x400	1 pce	134.62.000
Workpiece carrier U 400x400	1 pce	140.61.000



## Workpiece carriers

### Multidirectional

TLM 2000


Width 300  
400

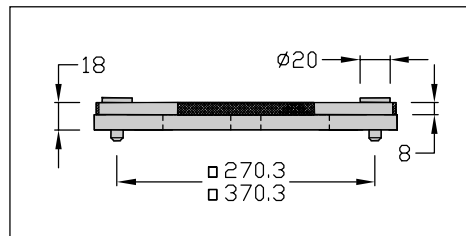
#### Technical data

- Plate Al
- Base, PA black
- 2 steel bushes
- 4 pins PA
- 4 springs
- 8 countersunk screws M6x16
- 2 detection bars
- 2 plugs

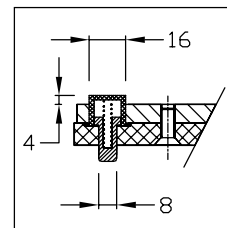
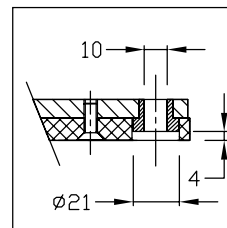
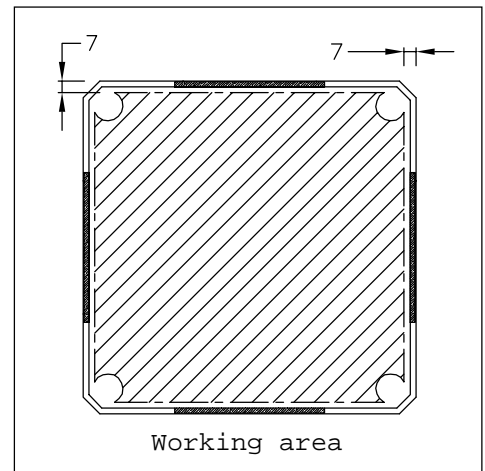
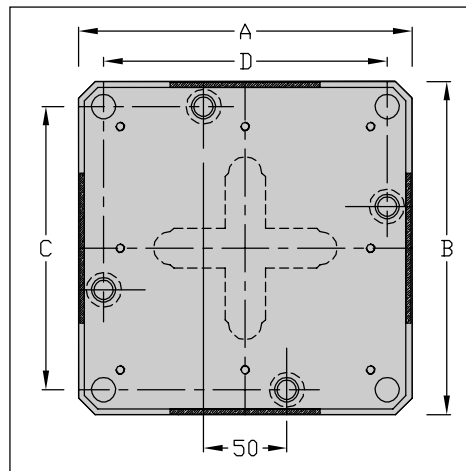
#### Weight :

- 300x300 : 3,10 kg
- 300x400 : 4,10 kg
- 400x400 : 5,40 kg

 Maximum load : 10 daN



Width	Length	C	D
A	B	C	D
300	300	270	270
300	400	370	270
400	400	370	370



#### Option : 90° kit

- 2 detection bars
- 2 steel bushes
- 2 plugs

Designation/Dimensions	Order unit	Reference
Workpiece carrier M 300x300	1 pce	130.63.000
Workpiece carrier M 300x400	1 pce	134.73.000
Workpiece carrier M 400x400	1 pce	140.63.000
90° kit 300 et 400	1 pce	900.00.003

## Conveying units

### Use

Moving and accumulating workpiece carriers.

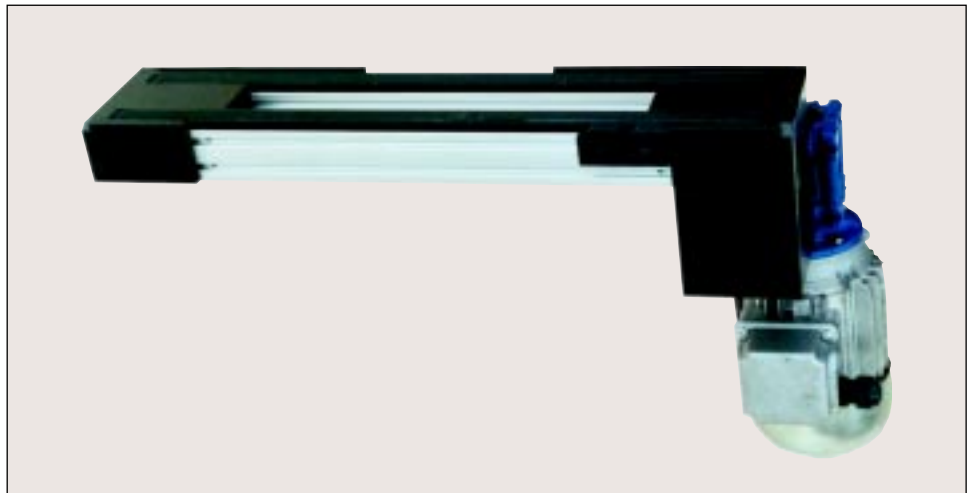
The motor can be fitted either vertically or horizontally.

According to the load, longer spans can be joined end to end by a straight joining.

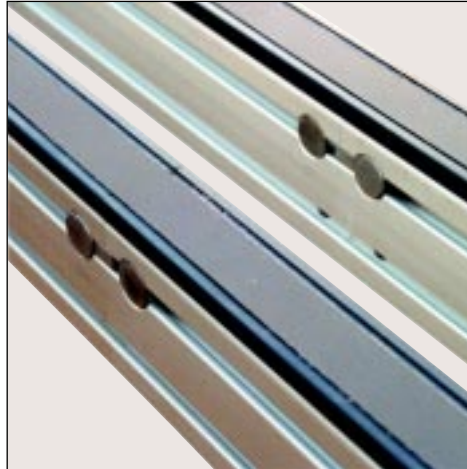
The cutting of the conveyors allow division of the length, making transport and installation of the lines easier.

They also allow to make important lengths for reduced loads.

Spacers have to be fitted between the profiles every 1 m or 1,5 m to ensure a perfect parallelism of the profiles.



Conveying unit 100



Conveyor cut



Straight joining



Conveying unit 200

## Conveying units

TLM 1000

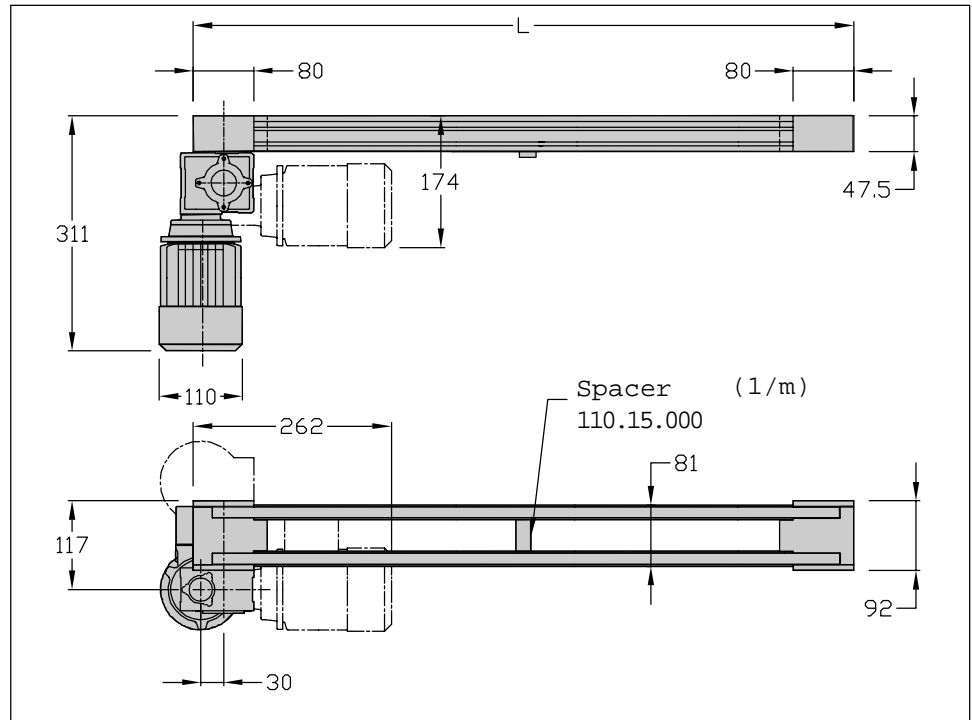
### Width 100

#### Technical data

Mini length : L = 500 mm  
 Maxi length : L = 3 160 mm

For longer spans and according to the load, use several conveying units

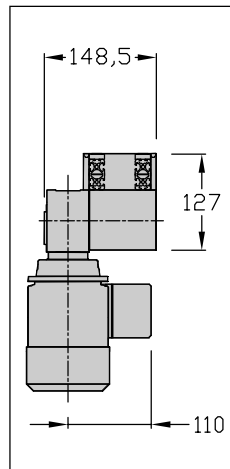
Including :  
 1 idling unit  
 1 driving unit  
 motor 380 V three-phases  
 0,09 KW  
 Speed : 10, 15 or 20 m/mm  
 (other speeds on request)



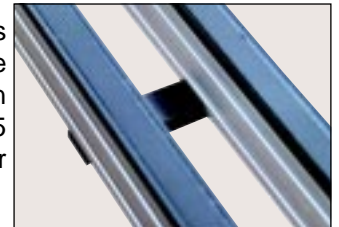
Conveyor length :  
 2 profiles 40x20, al anodized  
 2 belt guides PA, black  
 2 welded belts  
 width 12,5 mm  
 thickness 1 mm, welded

Maximum load /3 m : 50 daN

⚠ Maximum accumulation load /3m : 25 daN



⚠ For L > 1 m : spacers ref. 110.15.000, have to be fitted between the two profiles 5 40x20 (about 1 per metre).



Weight : 0,042 kg

Belt length in mm :  
 L welded =  
 $[(L-160) \times 2 + 490] \times 0,97$

Weight : 8 kg  
 +/m : 2,07 kg

Designation/Dimensions	Order unit	Reference
Conveying unit 100	1 pce	110.05.000.**
Conveying length	m	110.05.000.A
Spacer 100	1 pce	110.15.000

(\*\* = speed of motor : 10 - 15 ou 20 ex. : 110.05.000.10)

## Conveying units

TLM 2000

**Width 200**  
**300**  
**400**

### Technical data

Minimum length :

L = 500 mm

Maximum length :

L = 6 250 mm

For longer spans and according to the load, use several conveying units.

Including :

1 idling unit

1 driving unit :

Speed : 9, 15 or 19 m/mn

(Other speeds on request)

Motor : 230/400 V 3-phases

0,25 KW (9m/mn)

0,37 KW (15m/mn)

0,55 KW (19m/mn)

Conveyor length :

2 profiles 80x40, Al anodized


2 belt guides PA, black

2 welded belts

width 25 mm

thickness 1,6 mm, welded

Maximum load /6 m : 200 daN

 Maximum accumulation load /6 m : 100 daN

Belt length in mm :

L welded =

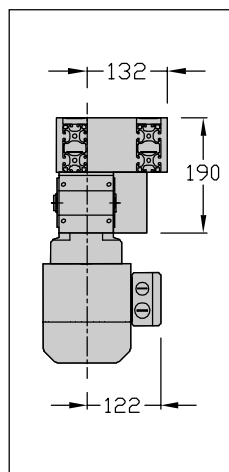
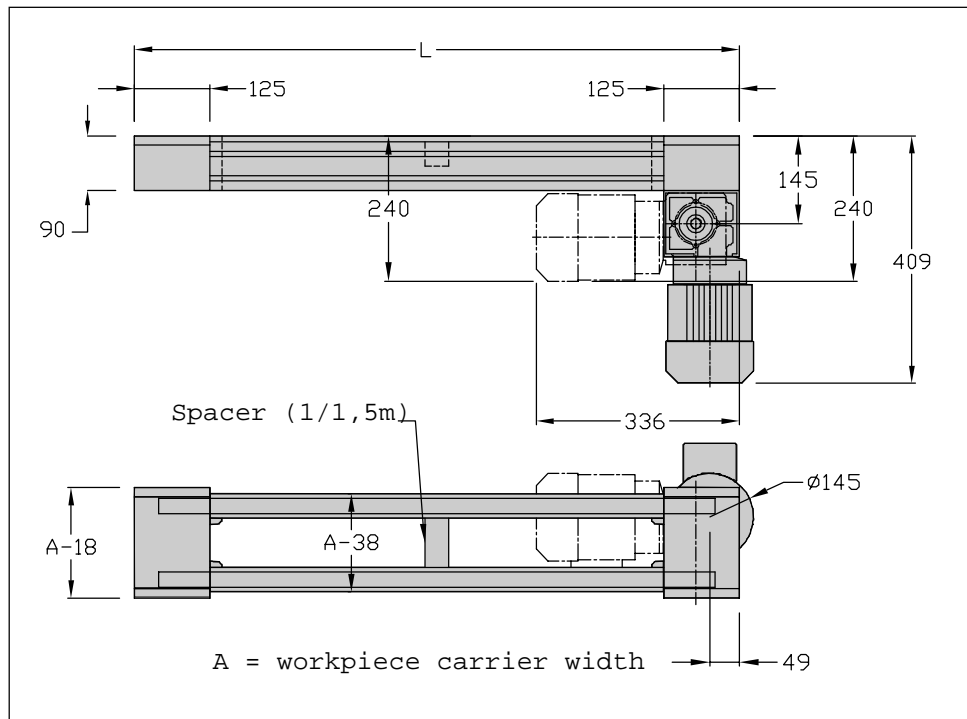
$[(L-100) \times 2 + 173] \times 0,98$

**Weight** 200 : 15,7 kg

300 : 18,5 kg

400 : 21,1 kg

+/m : 6,7 kg



### Antistatic option :

To be ordered with the initial assembling:

- machining of the blocks
- 2 shouldered screws
- 2 steel rollers

Designation/Dimensions	Order unit	Reference
Conveyor unit 200	1 pce	120.02.000.**
Conveyor unit 300	1 pce	130.02.000.**
Conveyor unit 400	1 pce	140.02.000.**
Conveyor length	m	120.02.000.A
Antistatic set	1 pce	120.02.000.C


(\*\* = motor speed : 9 - 15 or 19 ex : 120.02.000.09)

## Spacers

TLM 2000

Width 200  
300  
400

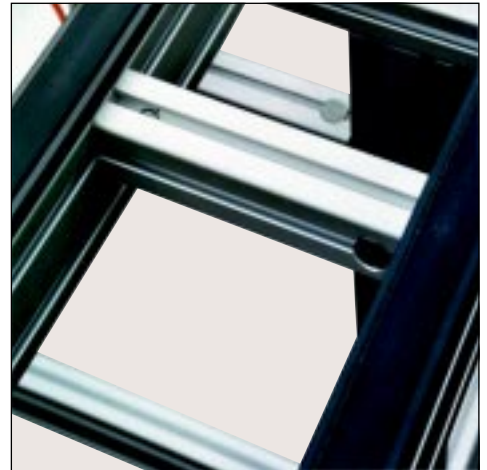
### Use

 If the length of the conveying unit is > 1,5 m spacers have to be fitted between the profiles 8 80x40. (1 spacer /1,5 m).

200



300 - 400



### Technical data

#### Width 200 :

Cast aluminium

#### Width 300 et 400 :

Profile 8 40x40 light

2 universal fastenings

Designation/Dimensions	Order unit	Reference
Spacer 200	1 pce	120.15.000
Spacer 300	1 pce	130.15.000
Spacer 400	1 pce	140.15.000

## Straight joinings

TLM 1000

TLM 2000

Width 100  
200  
300  
400

### Use

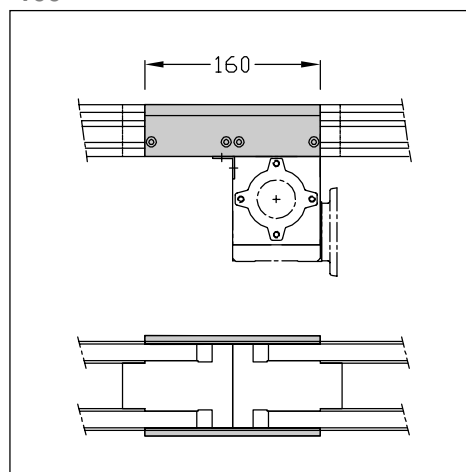
Allow to join end to end two conveying units.

### Technical data

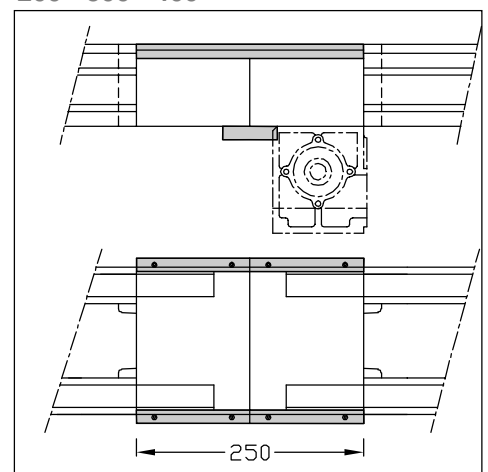
Guide PA, black

Joining set alu

100



200 - 300 - 400



Designation/Dimensions	Order unit	Reference
Straight joining 100	1 pce	110.18.000
Straight joining 200 - 300 - 400	1 pce	120.18.000

Weight 100 : 0,16 kg  
200 : 0,18 kg

## Height reductions

TLM 2000

Width 200  
300  
400

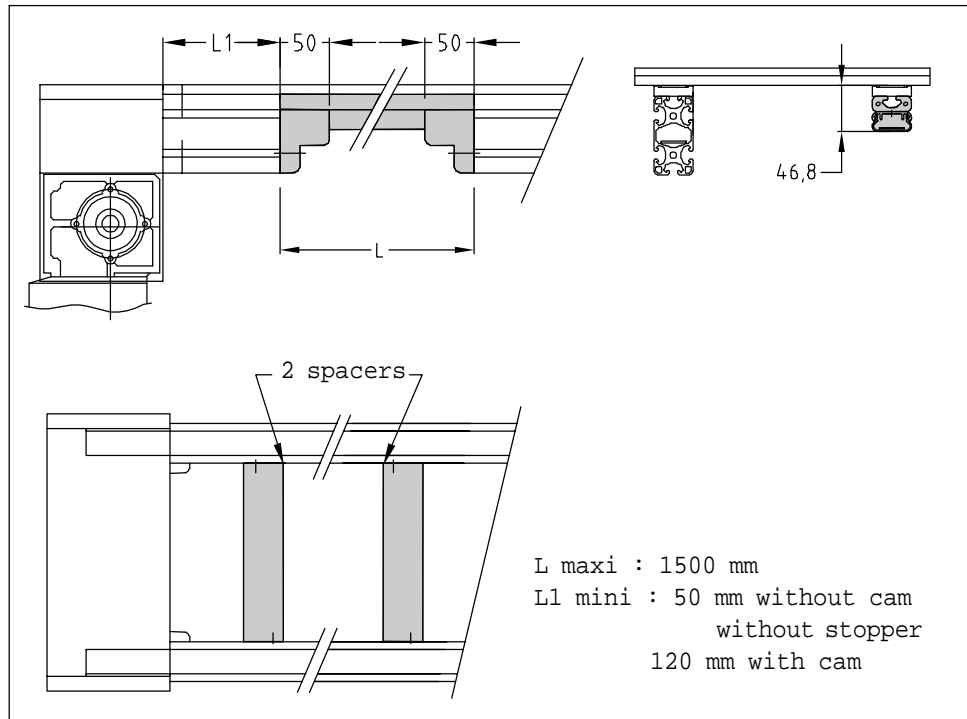
### Use

For ergonomic manual stations (from a seated position). Enable reduction of the height of the conveyor in front of the worker.

### Technical data

Including :

- 2 spacers
- 2 reducing PA
- 1 profile 40x16
- 1 conduit profile 40x20



Designation/Dimensions	Order unit	Reference
Height reduction 200	1 pce	120.98.000
Height reduction 300	1 pce	130.98.000
Height reduction 400	1 pce	140.98.000

## Conveyor cuts

TLM 1000

TLM 2000

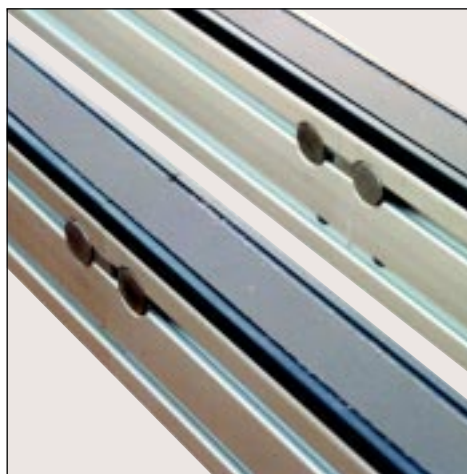
### Use

They allow division of the conveyor lengths to make the transport and installation of the lines easier.

They also enable the making of important lengths when the load is limited.

**TLM 1000 :**  
length maximum 5 m  
6 double universal fastenings 5

**TLM 2000 :**  
length maximum 12 m  
6 double universal fastenings 8



Lengths	Loads	
	maxi daN	accumulation maxi daN
<b>TLM 1000</b>		
4 m	40	20
5 m	30	15
<b>TLM 2000</b>		
7 m	180	90
8 m	160	80
9 m	140	70
10 m	120	60
11 m	100	50
12 m	80	40

Designation/Dimensions	Order unit	Reference
Conveyor cut 100	1 pce	110.05.000B
Conveyor cut 200 - 300 - 400	1 pce	120.02.000B

## Cams

### Use

#### Cams ED, EG, SD, SG

Allow a perpendicular transfer of workpiece carriers from one conveying unit to the other.

The workpiece carrier is guided by the two inside pins, the outside pins are retracted.

They are also used for derivations.



Cam EG 300

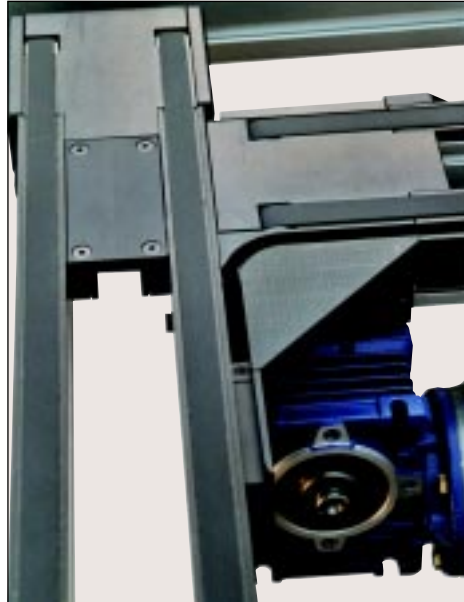
#### Short cams

##### SD-EG SG-ED

#### Double cams

Short cams and double cams allow deviation of workpiece carriers from a main line to a parallel secondary line without additional motorization.


Economical, compact and very easily managed, they are ideal to set up work stations in derivations.

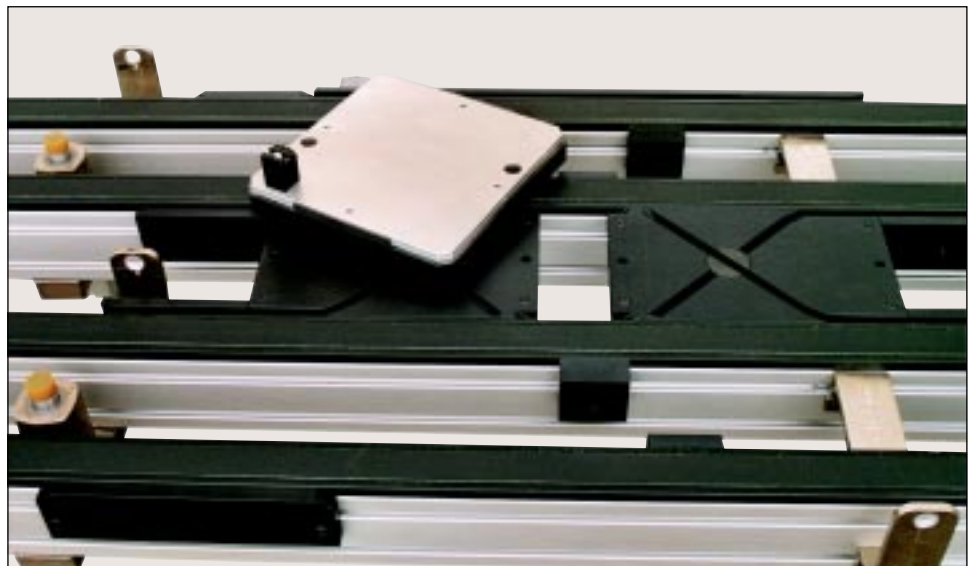


Cam EG 100



Short cams 200

 Do not accumulate the workpiece carriers in the cams.



Double cams 200

## Cams

ED, EG, SD, SG

TLM 1000


Width 100

### Technical data

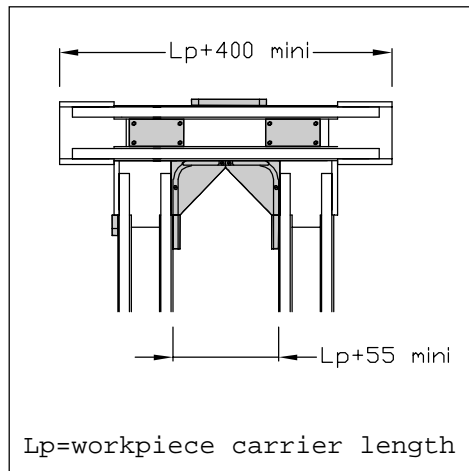
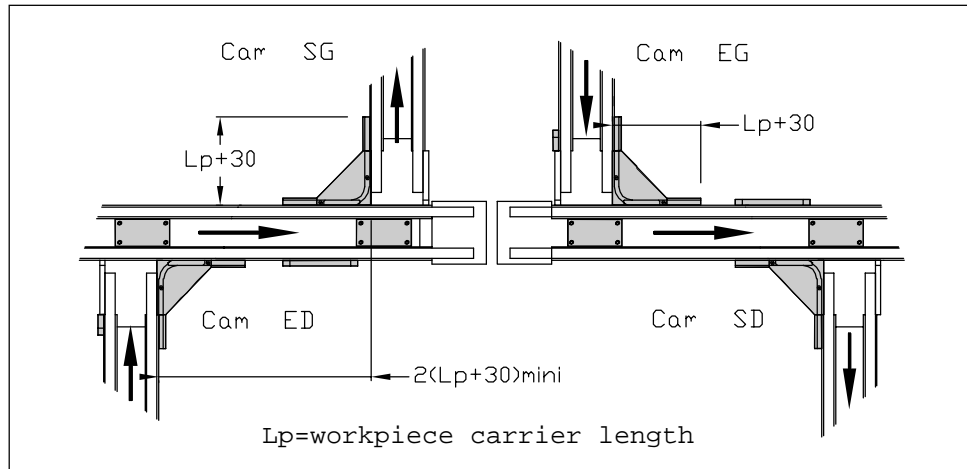
Complete set including :  
 Guiding cam and pin retracting plates PA black  
 Fastening parts  
 Joining parts

Different cams according to the dimensions of the workpiece carriers.

If a selection is necessary (derivation or not) add the derivation set (p31).

 Do not accumulate the workpiece carriers in the cams.

**Weight** ED - EG 100 : 0,36 kg  
 SD - SG 100 : 0,32 Kg



Cam ED  
 Right inlet on main line.

Cam SG  
 Left outlet on main line.

Cam EG  
 Left inlet on main line.

Cam SD  
 Right outlet on main line.

Designation/Dimensions	Order unit	Reference
Cam ED 100	1 set	110.04.100
Cam EG 100	1 set	110.04.200
Cam SD 100	1 set	110.04.300
Cam SG 100	1 set	110.04.400
Cam ED 150	1 set	115.04.100
Cam EG 150	1 set	115.04.200
Cam SD 150	1 set	115.04.300
Cam SG 150	1 set	115.04.400



## Cams

ED, EG, SD, SG

TLM 2000

Width 200  
300  
400

### Technical data

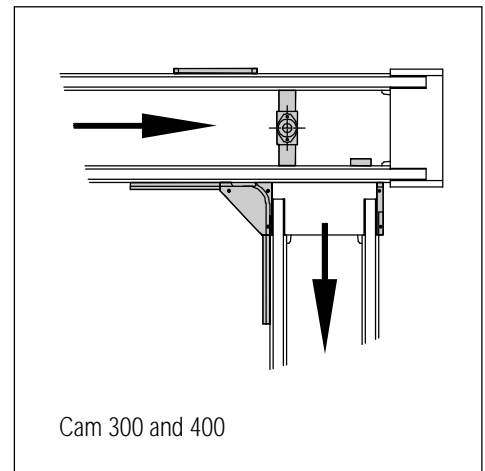
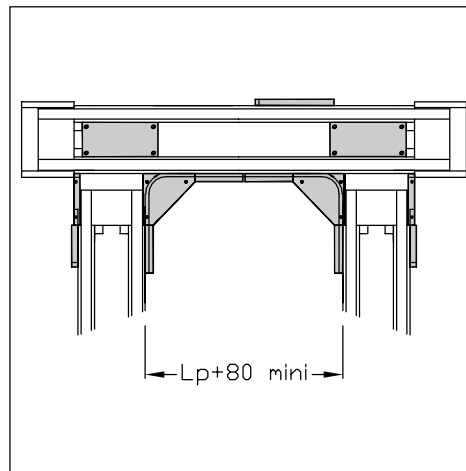
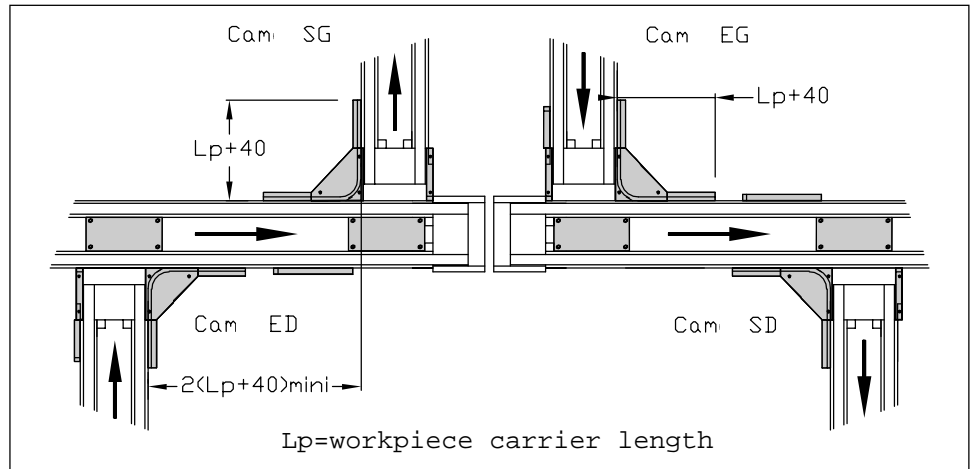
Complete set including :  
Guiding cam and pin retracting plates PA black  
Fastening parts  
Joining parts

Different cams according to the dimensions of the workpiece carriers.

The cams 200 also allow the use of workpiece carriers 200x250 and 200x300.

The cams 300 also allow the use of workpiece carriers 300x400.

If a selection is necessary (derivation or not) add the derivation set (p32).



Do not accumulate the workpiece carriers in the cams.

Cam ED  
Right inlet on main line.

Cam SG  
Left outlet on main line.

Cam EG  
Left inlet on main line.

Cam SD  
Right outlet on main line.

**Weight** 200 : 0,91 kg  
300 : 1,5 kg  
400 : 1,9 kg

Designation/Dimensions	Order unit	Reference
Cam ED 200	1 set	120.06.000
Cam EG 200	1 set	120.16.000
Cam SD 200	1 set	120.26.000
Cam SG 200	1 set	120.36.000
Cam ED 300	1 set	130.06.000
Cam EG 300	1 set	130.16.000
Cam SD 300	1 set	130.26.000
Cam SG 300	1 set	130.36.000
Cam ED 400	1 set	140.06.000
Cam EG 400	1 set	140.16.000
Cam SD 400	1 set	140.26.000
Cam SG 400	1 set	140.36.000

## Short cams

### SD-EG, SG-ED


TLM 2000

Width 200

#### Technical data


Complete set including :  
 Cams and guides PA, black  
 Fastening parts  
 Screw and nut St PA M6

(1 set SD-EG + 1 set SG-ED  
 are necessary to make a  
 complete derivation)

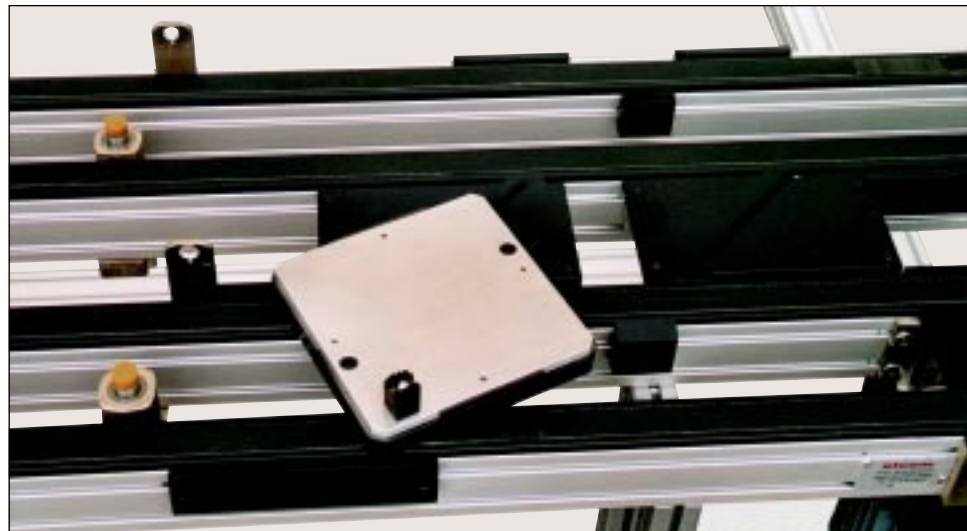
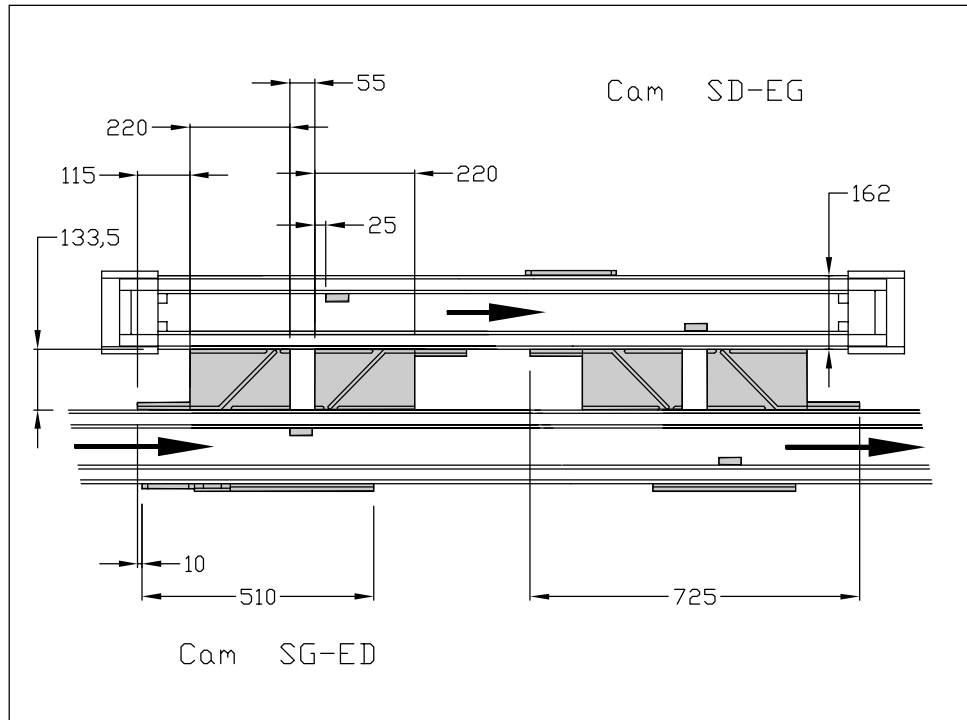
 Minimum load on work-  
 piece carrier : 2 daN

They also allow the use of  
 workpiece carriers 200x250  
 and 200x300.

If a selection is necessary  
 (derivation or not) add the  
 derivation set (p.32).

 Do not accumulate the  
 workpiece carriers in the cams.

Weight : 2,2 kg



Designation/Dimensions	Order unit	Reference
Short cam 200 SD-EG	1 set	120.46.000
Short cam 200 SG-ED	1 set	120.17.000

## Short cams

### SD-EG, SG-ED

TLM 2000

Width 300  
400

#### Technical data

Complete set including :  
Cam and guides PA  
Fastening parts  
Screw and nut St PA M6

(1 set SD-EG + 1 set SG-ED  
are necessary to make a  
complete derivation)

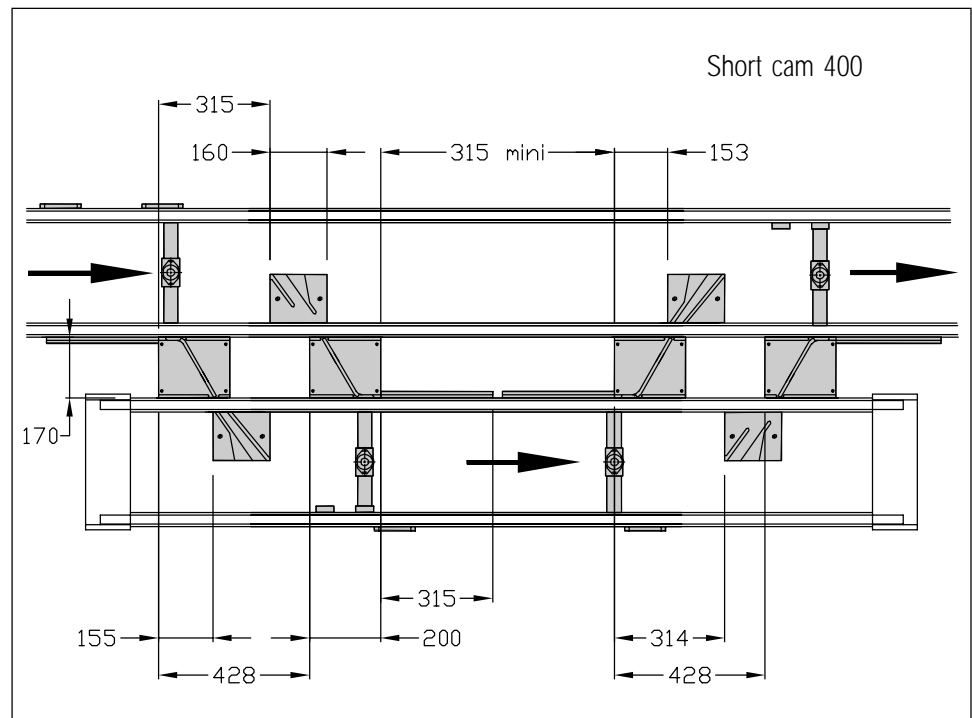
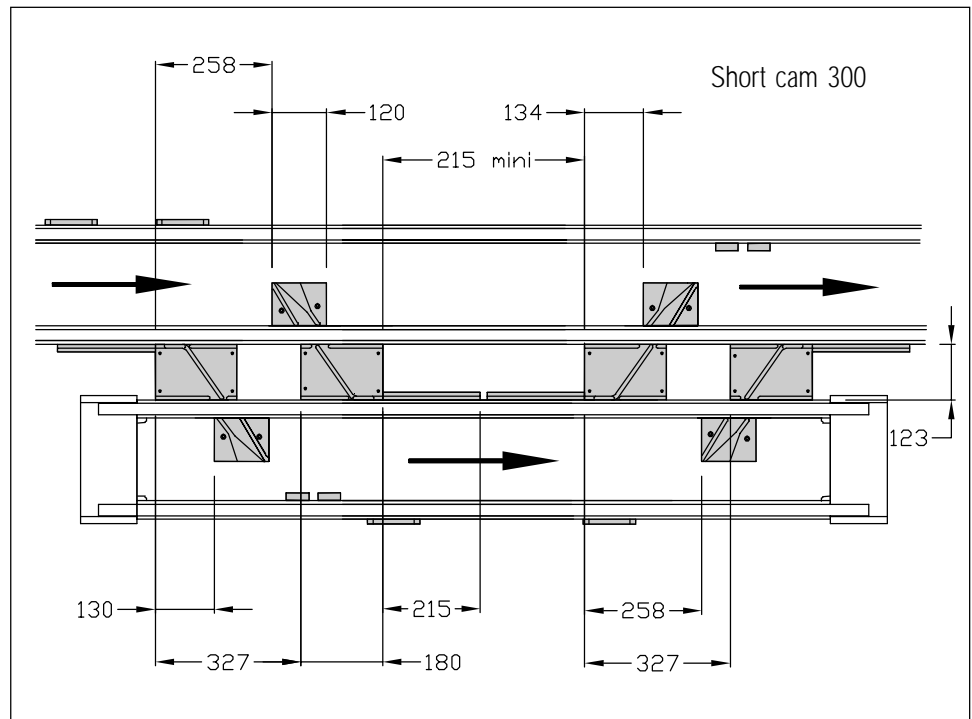
⚠ Minimum load on work-  
piece carrier : 2 daN

The short cams 300 also allow  
the use of workpiece carriers  
300x400.

If a selection is necessary  
(derivation or not) add the  
derivation kit (p.32).

⚠ Do not accumulate the  
workpiece carriers in the cams.

Weight 300 : 6,1 kg  
400 : 13,2 kg



Designation/Dimensions	Order unit	Reference
Short cam 300 SD-EG	1 set	130.46.000
Short cam 300 SG-ED	1 set	130.17.000
Short cam 400 SD-EG	1 set	140.46.000
Short cam 400 SG-ED	1 set	140.17.000


## Double cams

TLM 2000

Width 200


### Technical data

Complete set including :  
 Cam, selectors, ramps and guides PA black  
 2 rotative cylinders, (M5)  
 Fastening parts  
 Screw and nut St PA M6

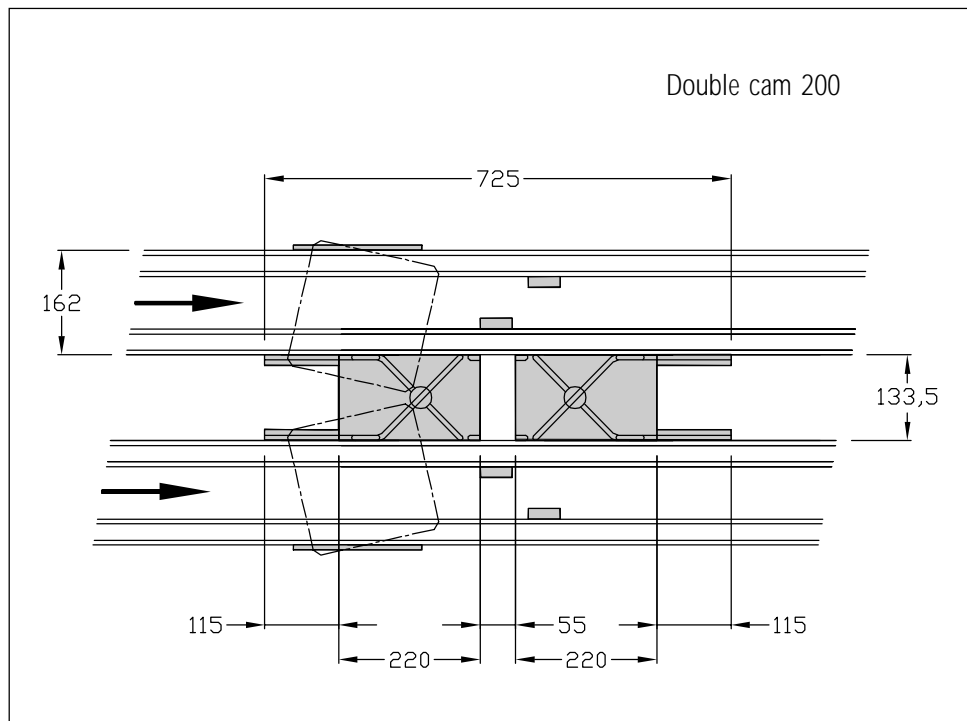
 Minimum load on workpiece carrier : 2 daN

They also allow the use of workpiece carriers 200x250 and 200x300.

If a selection is necessary (derivation or not) add the derivation kit (p.32).

 Do not accumulate the workpiece carriers in the cams.

**Weight** : 3,6 kg



Designation/Dimensions	Order unit	Reference
Double cam 200	1 set	120.21.000

## Double cams

TLM 2000

**Width 300  
400**

### Technical data

Complete set including :  
Cam, selectors, ramps and guides PA black  
2 rotative cylinders, (M5)  
Fastening parts  
Screw and nut St PA M6

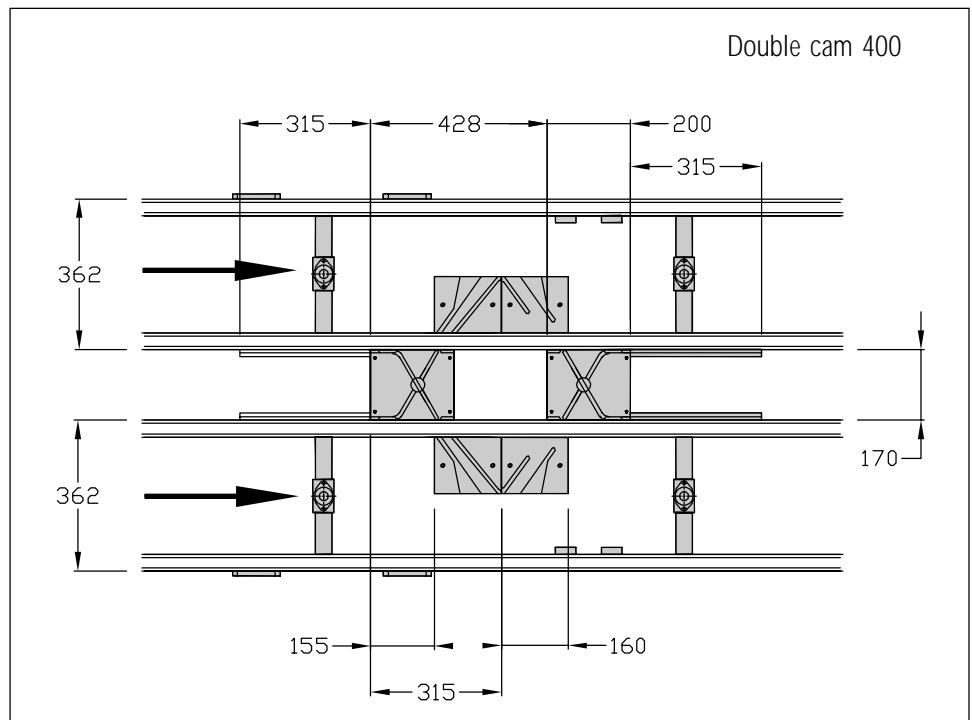
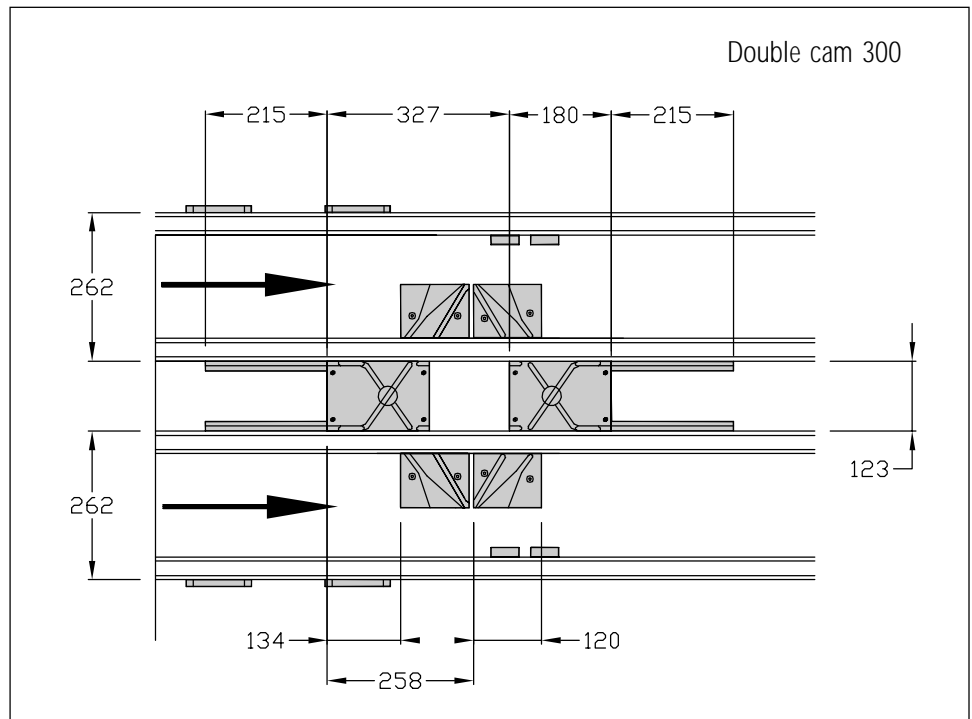
**⚠** Minimum load on workpiece carrier : 2 daN

The double cams 300 also allow the use of workpiece carriers 300x400.

If a selection is necessary (derivation or not) add the derivation kit (p.32).

**⚠** Do not accumulate the workpiece carriers in the cams.

**Weight** 300 : 5,4 kg  
400 : 12,2 kg



Designation/Dimensions	Order unit	Reference
Double cam 300	1 set	130.21.000
Double cam 400	1 set	140.21.000

## Derivations

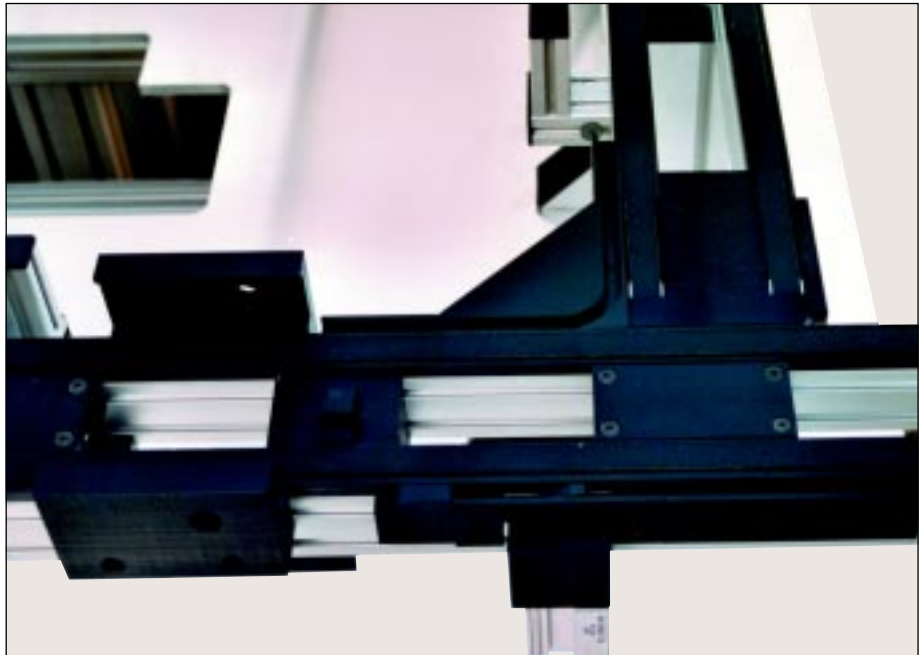
### Use

Derivations have to be used with a cam. They allow diversion or not of the workpiece carrier by retraction of the pins on one side or the other of the conveyor.

The two cylinders are controlled by only one solenoid valve.



Derivation 200



Derivation 100

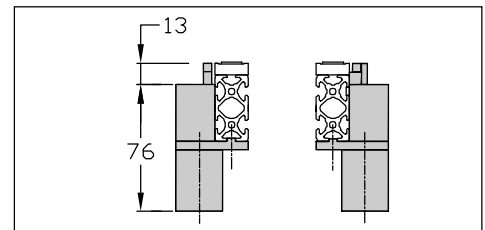
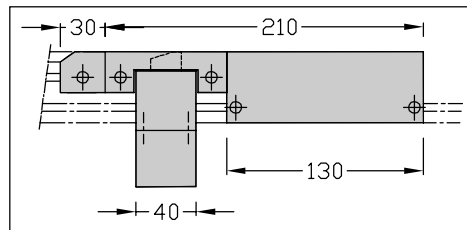
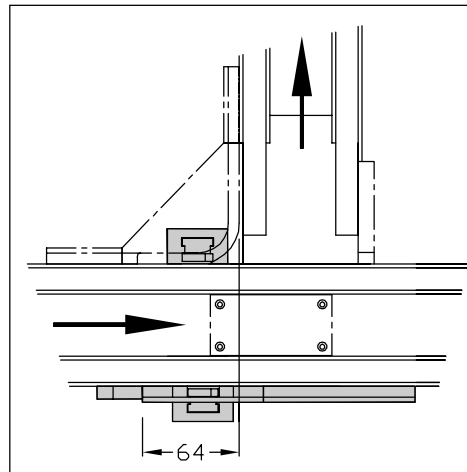
## Derivations


TLM 1000

### Width 100

#### Technical data

Set including :  
 2 plates Al  
 2 nuts 5 St M4  
 2 screws M4x10  
 Body, levers and guides PA  
 2 cylinders  $\varnothing$  16 - 5 (M5),  
 detectable positions



 Cams are not included  
 (must be ordered separately)

**Weight :** 0,4 kg

Designation/Dimensions	Order unit	Reference
Derivation 100	1 set	110.07.000

## Derivations

TLM 2000

Width 200  
300  
400

### Technical data

Set including :

2 plates Al

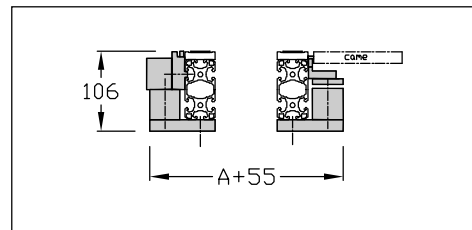
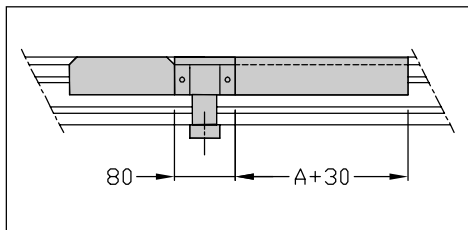
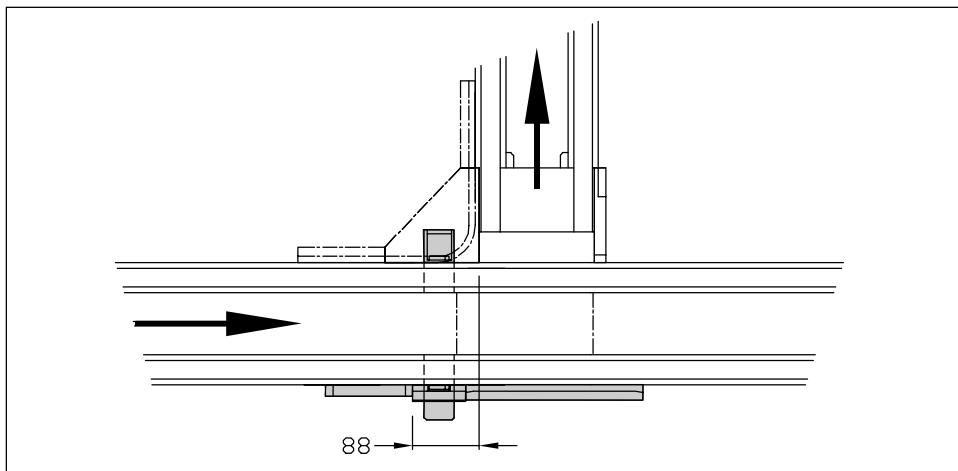
2 nuts St PA M6


2 screws M6x10

Body, levers, guides PA and screws and bolts

2 cylinders  $\varnothing 20 - 10$  (G1/8), detectable positions

1 protection Ac black



 Cams are not included (must be ordered separately)

**Weight** 200 : 1,4 kg  
300 : 1,5 kg  
400 : 1,5 kg

Designation/Dimensions	Order unit	Reference
Derivation 200	1 set	120.07.000
Derivation 300	1 set	130.07.000
Derivation 400	1 set	140.07.000

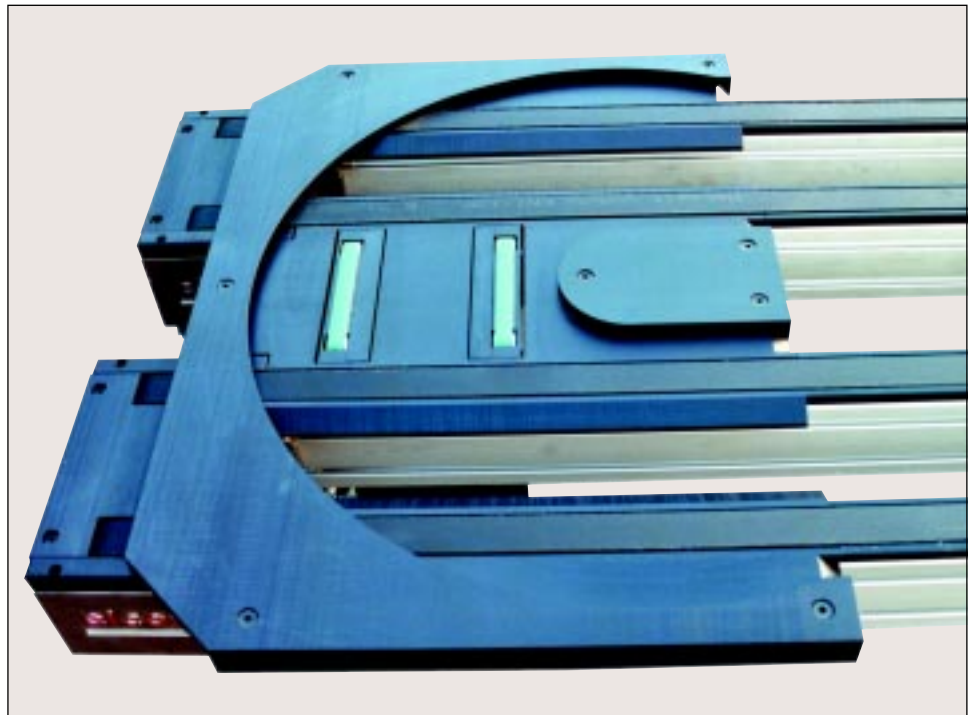


## Returns 180°

### Use

Allow the return of the workpiece carrier on a parallel conveyor with a reduced space between the two conveyors.

The workpiece carrier is conveyed always keeping the same side towards the outside of the line.




TLM 1000

### Width 100

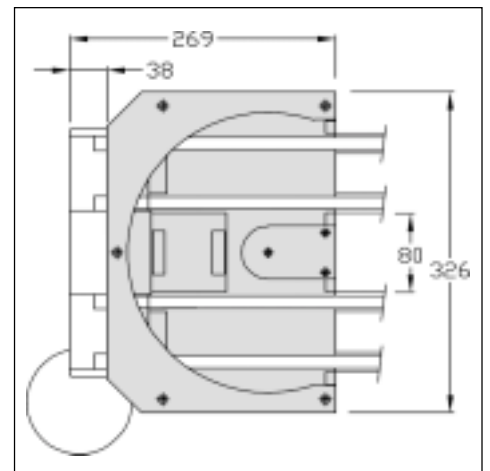
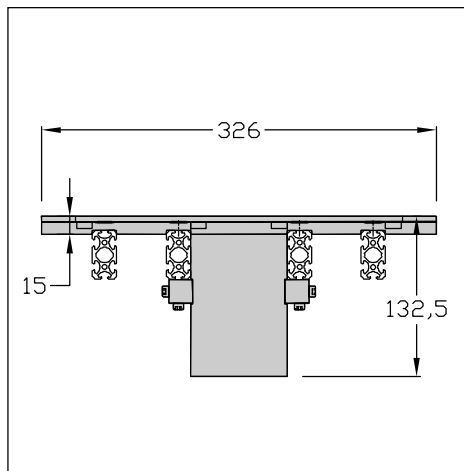
#### Technical data

Housing aluminium  
2 parallel belts driven by a bevel gear pair on a conveyor unit.  
(No additional motor)

 Minimum load on the workpiece carrier : 0,3 daN

Do not accumulate the workpiece carriers in the returns.

**Weight :** 8 kg



**Designation/Dimensions**

**Return 180° 100**

**Order unit**

**1 pce**

**Reference**

**110.34.000**


## Returns 180°

TLM 2000

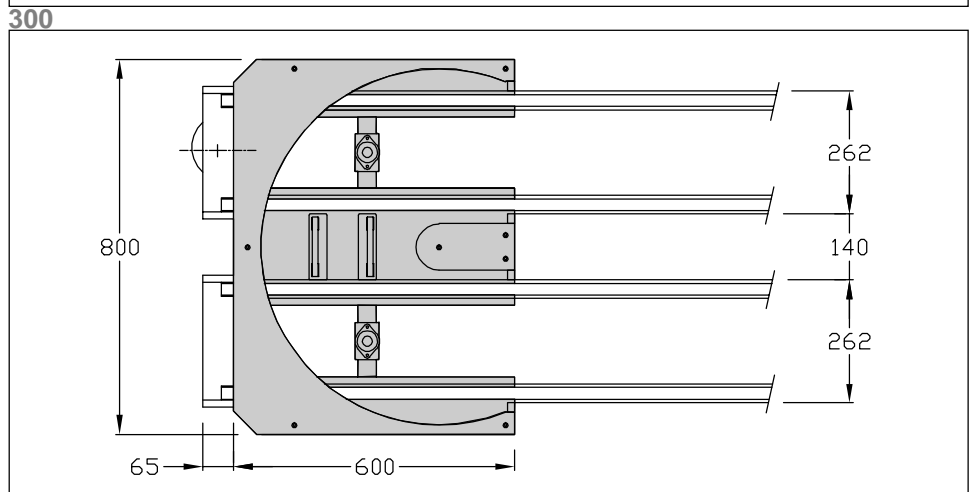
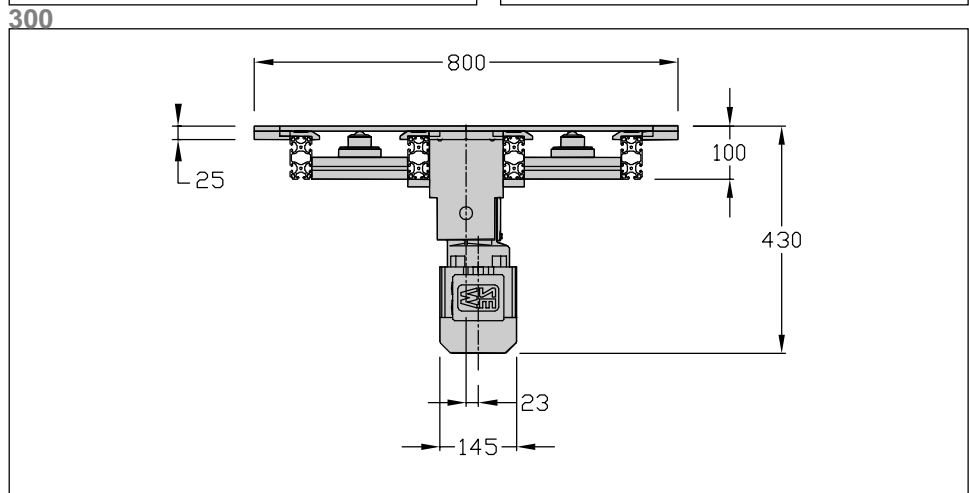
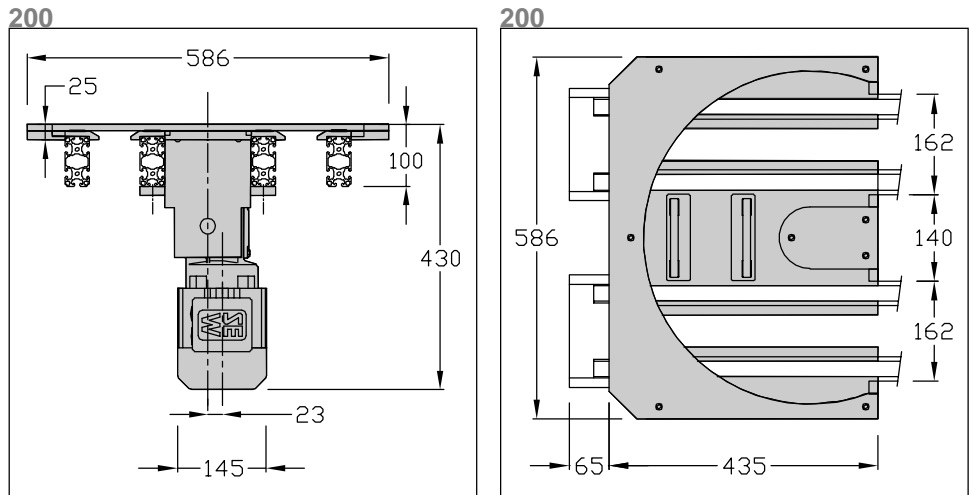
Width 200  
300

### Technical data

Motor plates alu black.  
2 parallel belts driven by a gear motor.  
Plates and lateral guide supports PA, black.  
Screws and bolts.

 Do not accumulate the workpiece carriers in the returns.

**Weight** 200 : 16 kg  
300 : 18,2 kg



Designation/Dimensions	Order unit	Reference
Return 180° 200	1 pce	120.34.000
Return 180° 300	1 pce	130.34.000

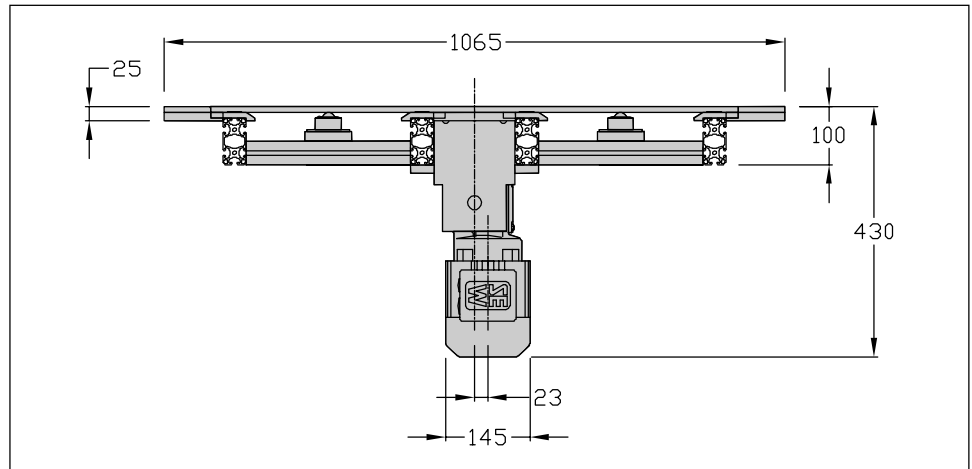
## Returns 180°


TLM 2000

Width 400

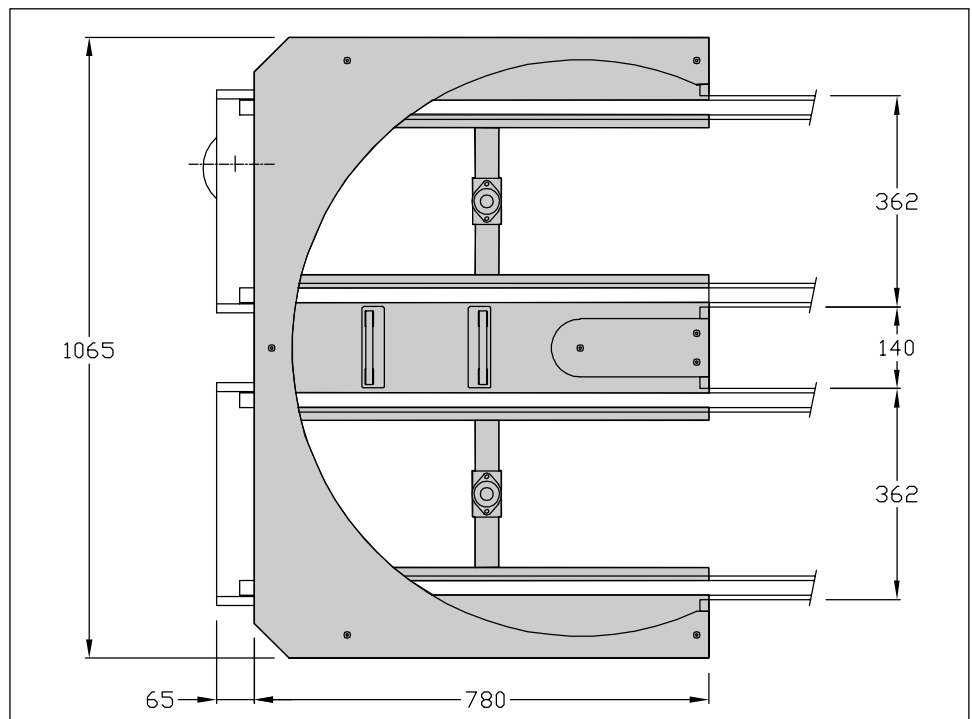
### Technical data

Motor plates alu black.  
 2 parallel belts driven by a gear motor.  
 Plates and lateral guide supports PA, black.  
 Screws and bolts.



 Do not accumulate the workpiece carriers in the returns.

Weight : 20 kg



Designation/Dimensions	Order unit	Reference
Return 180° 400	1 pce	140.34.000

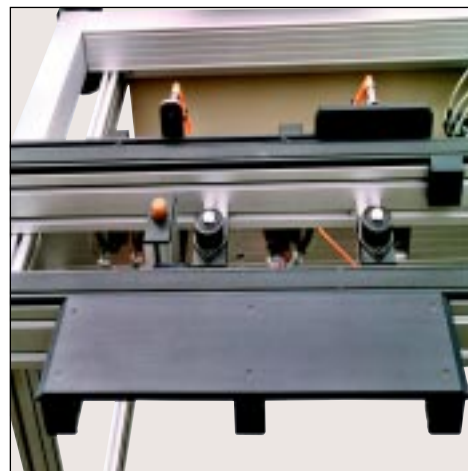
## Swivellings

90° - 180°

### Use

90° swivelling of workpiece carriers by blocking and retracting the pins.

180° swivelling of workpiece carriers by a linear rotating cylinder.



## Swivellings

90°

TLM 1000

Width 100

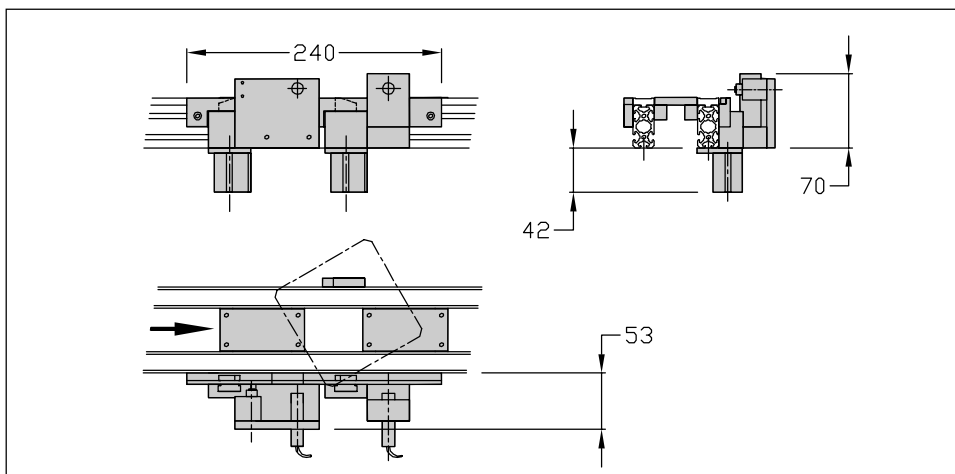
### Technical data

Plates and guides PA, black  
 2 cylinders ø 16-5 (M5)  
 2 brackets for shielded mounting sensor M12x100  
 1 cylinder ø 12-10 (M5)

A stopper situated before the swivelling unit is generally necessary to avoid the arrival of another workpiece carrier during swivelling.

⚠ Minimum load on workpiece carrier : 0,3 daN

Weight : 1,8 kg



Designation/Dimensions

Order unit

Reference

Swivelling 100 90°

1 set

110.14.000

## Swivellings


90°

TLM 2000

Width 200  
300  
400

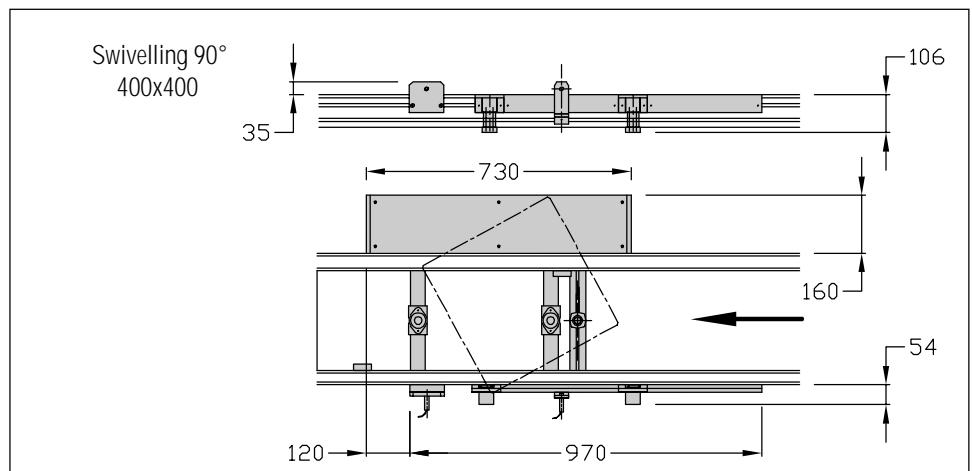
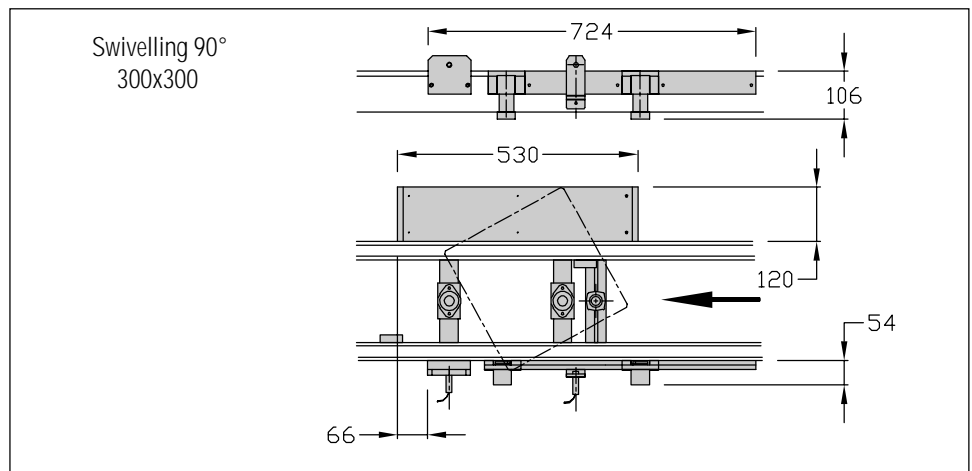
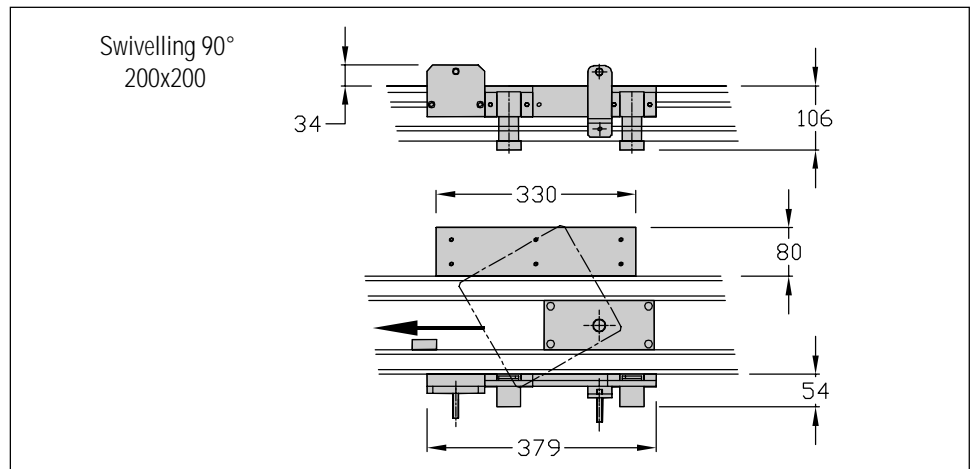
### Technical data

Plates and guides PA black  
3 cylinders ø 20-10 (M5)  
1 stopper  
2 brackets for shielded mounting sensor M12x100

 Minimum load on workpiece carrier : 2 kg

A stopper situated before the swivelling unit is generally necessary to avoid the arrival of another workpiece carrier during swivelling.

**Weight** 200 : 3,8 kg  
300 : 5,8 kg  
400 : 6,9 kg



Designation/Dimensions	Order unit	Reference
Swivelling 200 90°	1 set	120.27.000
Swivelling 300 90°	1 set	130.27.000
Swivelling 400 90°	1 set	140.27.000
<b>Specify (R) for spring stopper ex. : 130.27.000 (R)</b>		

## Swivellings

180°


TLM 2000

Width 200  
300  
400

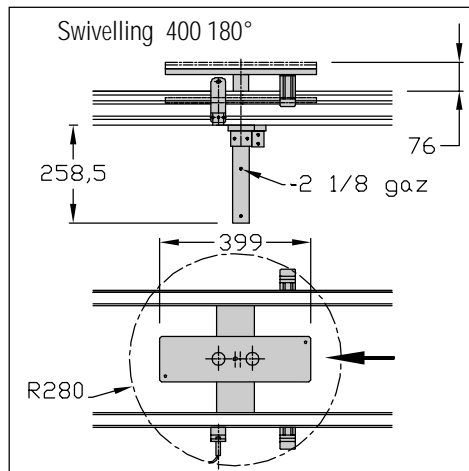
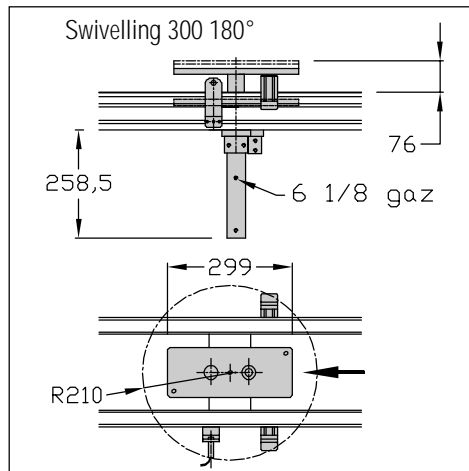
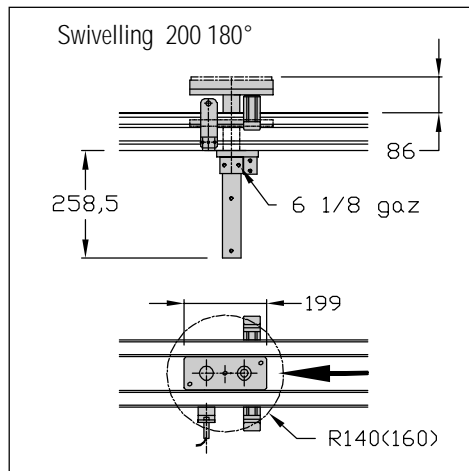
### Technical data

Stopper  
Linear rotating cylinder  
Sensor braket

A stopper situated before the swivelling unit is generally necessary to avoid the arrival of another workpiece carrier during swivelling.

 Flow rate controller should be adapted.

**Weight** 200 : 5,6 kg  
300 : 6,7 kg  
400 : 7,6 kg



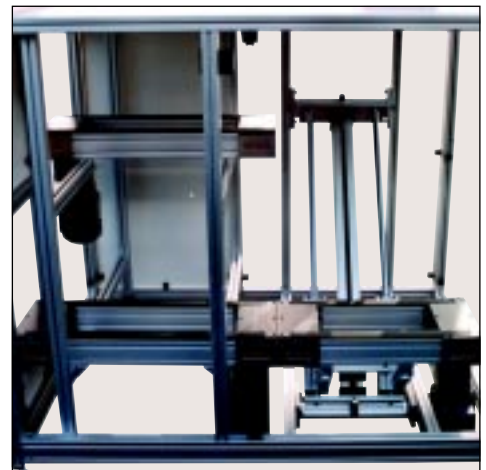
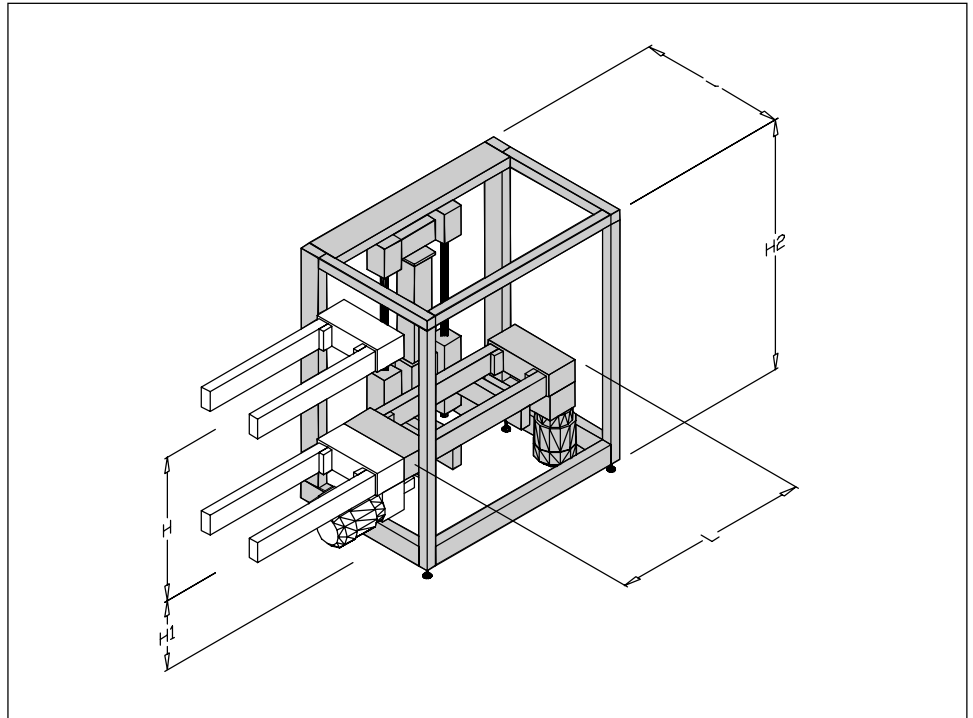
Designation/Dimensions	Order unit	Reference
Swivelling 200 180°	1 set	120.28.000
Swivelling 300 180°	1 set	130.28.000
Swivelling 400 180°	1 set	140.28.000
Specify (R) for spring stopper ex. : 130.28.000 (R)		

## Lifts

### Use

Allow the return of workpiece carriers above or below a line, or the transfert of workpiece carriers on several levels.

Constructed from standard elements, each lift is adapted to the size of the workpiece carriers, the strokes and other line-specific parameters.



**Designation/Dimensions**

**Order unit**

**Reference**

Lift

Only by consulting

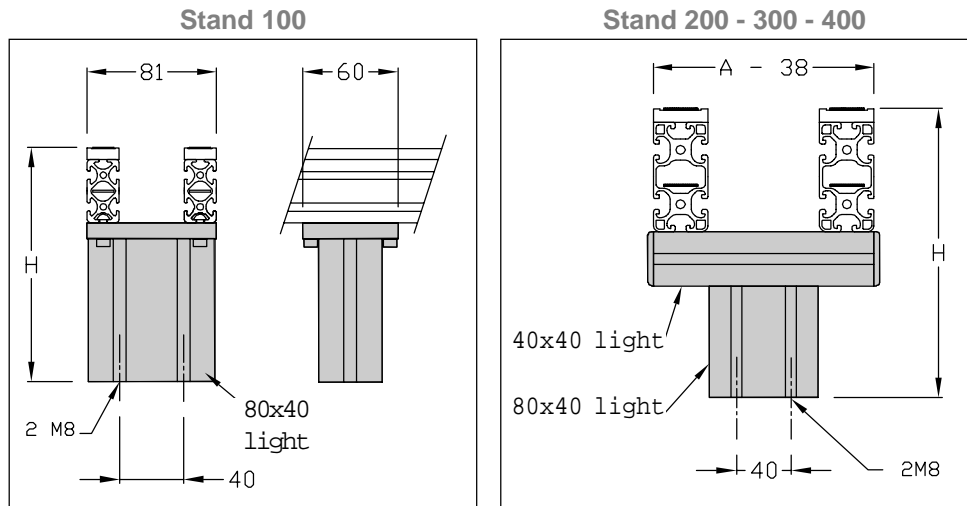
## Conveying unit stand

TLM 2000

### Conveying unit stand

#### Use

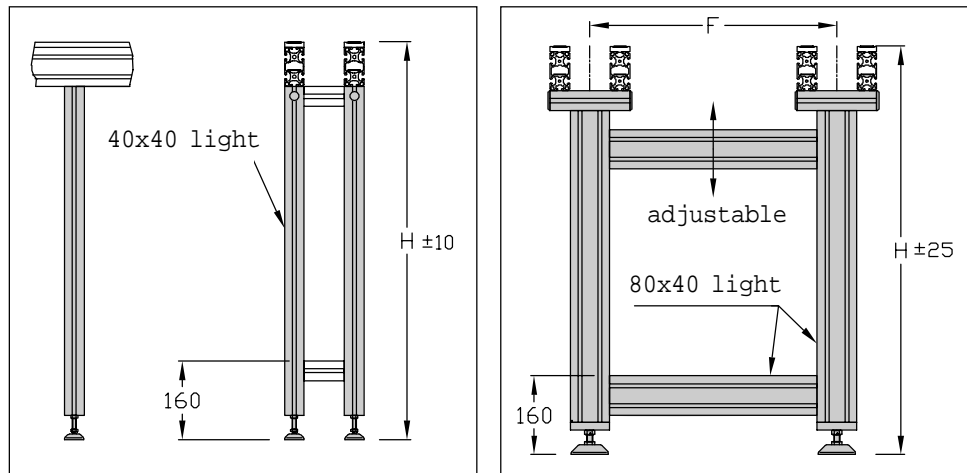
Support to fit conveying units on table or frame.



### Simple stand

#### Use

Support for one conveying unit. Built with profile 8 40 x 40, it is compatible with all **item** profiles and modular elements.



Simple stand 200 - 300 - 400

Double stand 200 - 300 - 400

### Double stand

#### Use

To support two parallel conveying units. Built with profiles 8 80 x 40, it is compatible with all **item** profiles and modular elements.

Designation/Dimensions	Order unit	Référence
Conveying unit stand 100	1 set	110.16.000
Conveying unit stand 200	1 set	120.20.000
Conveying unit stand 300	1 set	130.20.000
Conveying unit stand 400	1 set	140.20.000
Simple stand 200	1 set	120.12.000
Simple stand 300	1 set	130.12.000
Simple stand 400	1 set	140.12.000
Double stand 200	1 set	120.19.000
Double stand 300	1 set	130.19.000
Double stand 400	1 set	140.19.000

(Specify H and F in mm)



## Stoppers

### Use

Stopping workpiece carriers during processing requiring no accuracy.

Stopping the workpiece carriers in order to respect conveying priorities at the end of the derivation.

### Stoppers 100

Stopper with simple or double effect, supplied with lateral guides and sensor bracket for detection of workpiece carriers.

### Stoppers 200 - 300 - 400

Can be supplied with a spring to make the stopper rod pop out in case of an emergency stop.

Supplied with sensor bracket for detection of workpiece carriers.

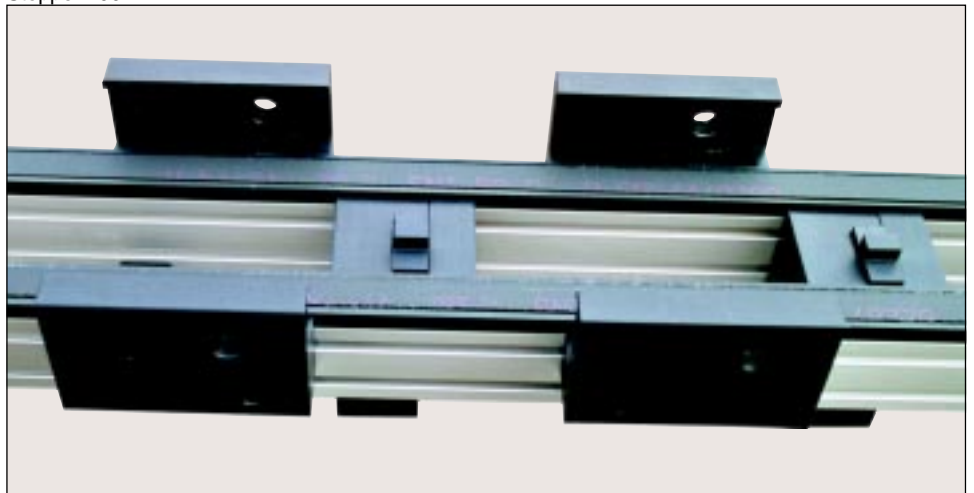
### Short stoppers 200 - 300 - 400

Thanks to the combination of small size and reduced height, the short stopper allows construction of ergonomic work stations along the line.

Reduced accumulated load.



Stopper 200



Stopper 100

## Stoppers

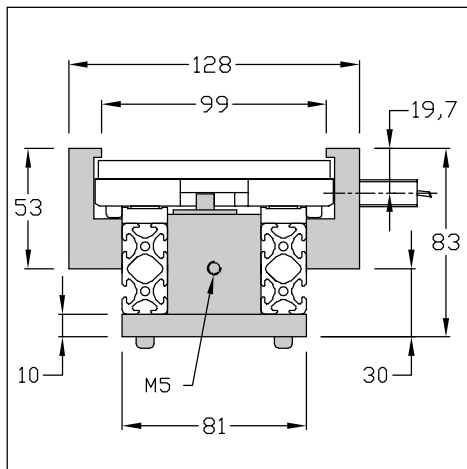
### Simple effect - Double effect

TLM 1000

Width 100

#### Technical data

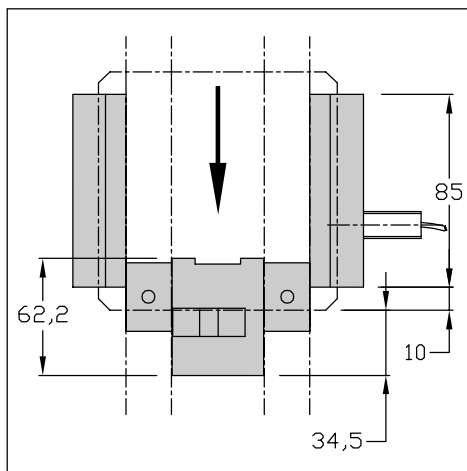
Plate Al, black  
 Body and stopper PA  
 Nuts 5 St M5 + screws  
 Holes for shielded mounting  
 sensor M12x100  
 Detection range : 4 mm



Maximum load : 10 daN  
 (in accumulation)

⚠ Flow rate controller M5  
 should be adapted

Weight : 0,14 kg



Designation/Dimensions	Order unit	Reference
Stopper 100 simple effect	1 pce	110.02.000
Stopper 100 double effect	1 pce	110.22.000

## Stoppers


TLM 2000

Width 200  
300  
400

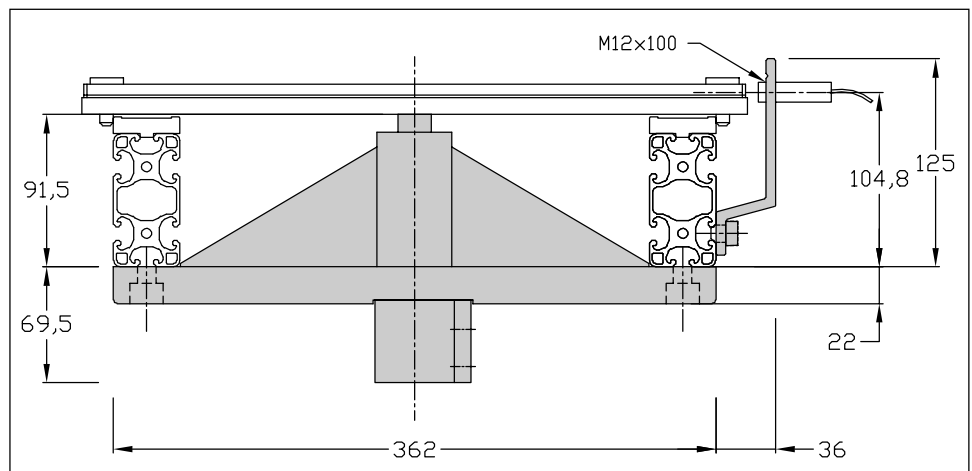
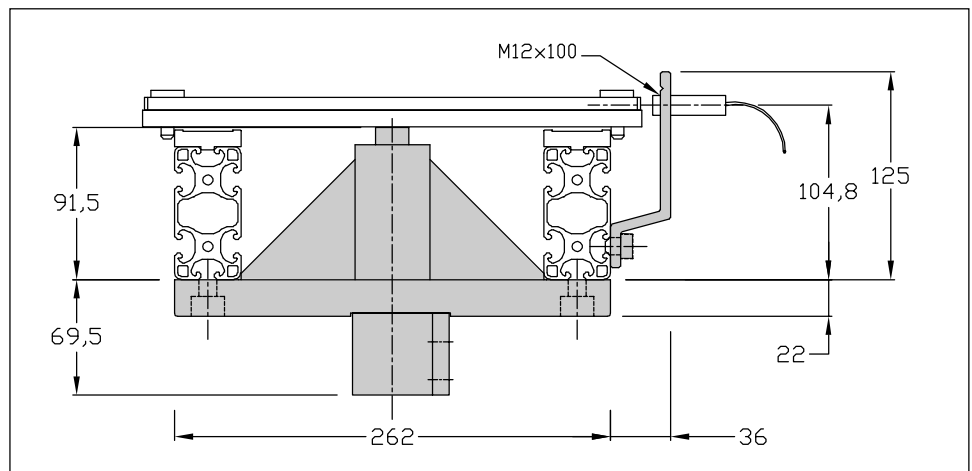
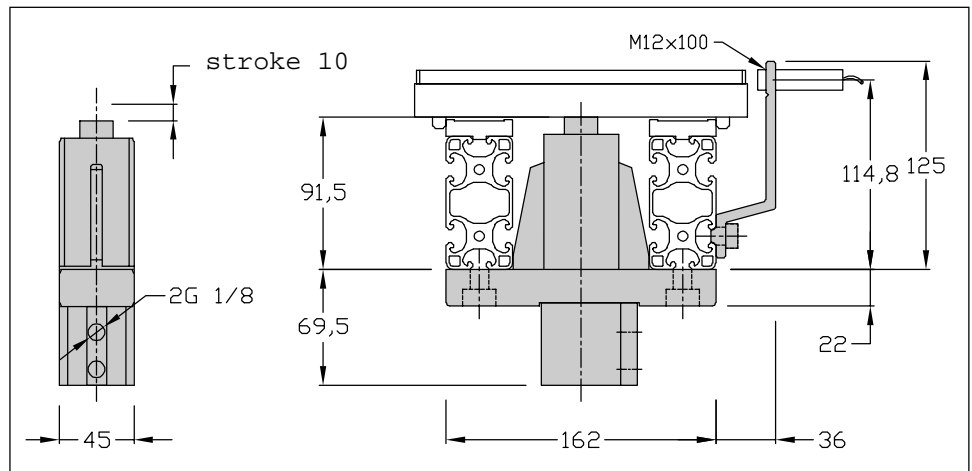
### Technical data

Stopper rod (polyurethane coated)  
Complete set with double effect cylinder  $\varnothing$  32 mm, detectable positions  
Bracket for shielded mounting sensor M12x100  
Detection range : 4 mm

Maximum load : 50 daN  
(in accumulation)

 Flow rate controller G 1/8 should be adapted

**Weight** 200 : 1,3 kg  
300 : 1,7 kg  
400 : 2 kg



Designation/Dimensions	Order unit	Reference
Stopper 200	1 pce	120.65.000
Stopper 300	1 pce	130.65.000
Stopper 400	1 pce	140.65.000
Specify (R) for stopper with spring ex. : 120.65.000 (R)		

## Short stoppers

TLM 2000

Width 200  
300  
400

### Technical data

Stopper rod (polyurethane coated).

Complete set with double effect cylinder  $\varnothing$  20 mm, detectable positions.


Bracket for shielded mounting sensor M12x100.

Detection range : 4 mm.

Stoppers 300 - 400 :

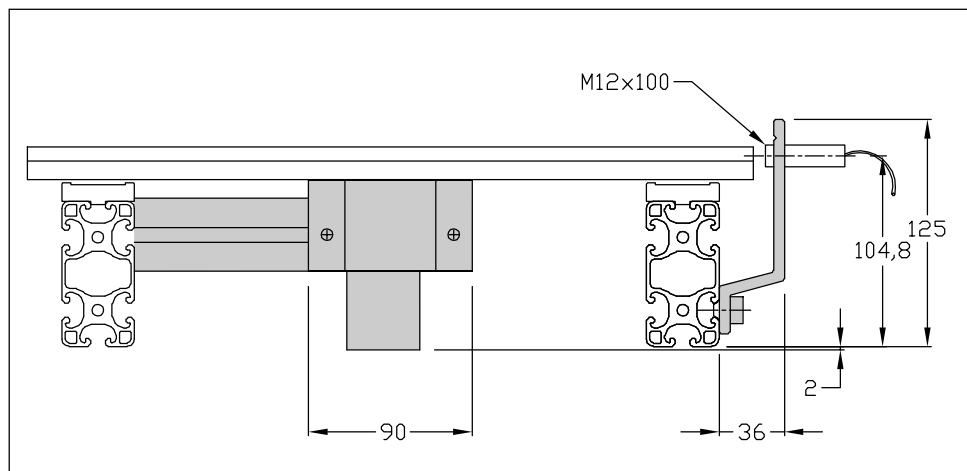
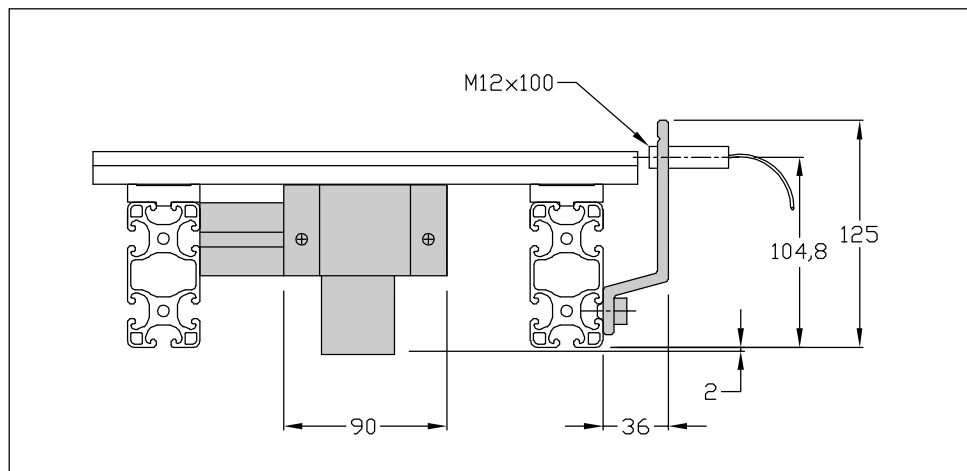
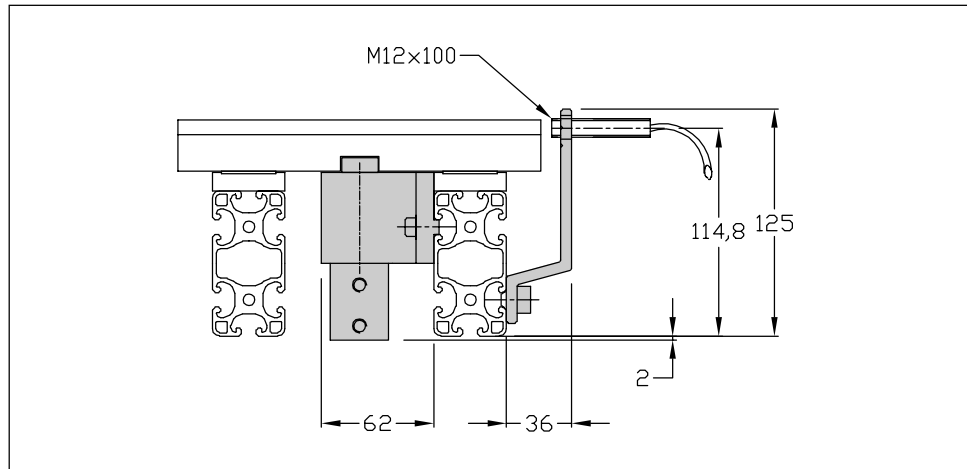
1 profile 8 40 x 40 light

2 universal fastening set 8

 Maximum load : 50 daN (in accumulation).

Flow rate controller G 1/8 should be adapted.

**Weight** 200 : 0,9 kg  
300 : 1,4 kg  
400 : 1,8 kg



Designation/Dimensions	Order unit	Reference
Short stopper 200	1 pce	120.32.000
Short stopper 300	1 pce	130.32.000
Short stopper 400	1 pce	140.32.000
Specify (R) for spring stopper ex. : 120.32.000 (R)		

## Positioning units

### Use

Stopping and positioning workpiece carriers for operations requiring accuracy. The workpiece carrier is stopped, then lifted off the belts and positioned by two centering pieces.

#### Positioning units :

The positioning unit is directly fitted on the conveying units.

#### Positioning units for station:

They are fixed to a table or a frame in order to assure accuracy with the other surrounding elements.

#### Heavy positioning units :

For operations requiring accuracy, and involving important strain (up to 1500 daN) at the center of the workpiece carrier.

The positioning unit must be fixed on a frame capable of supporting the strain applied.

#### Lift positioning units :

Stop and positioning of workpiece carriers at an important height above the conveyor. The workpiece carrier is stopped, then elevated to a specific height, while being held by two centering pieces.

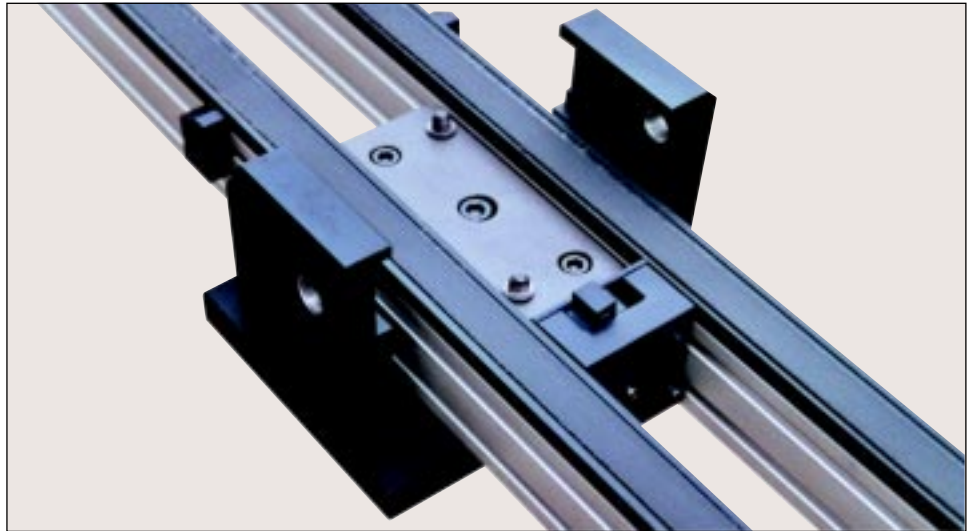
#### Press positioning units :

Support important strain (5000 daN) on the surface between the 2 belts.

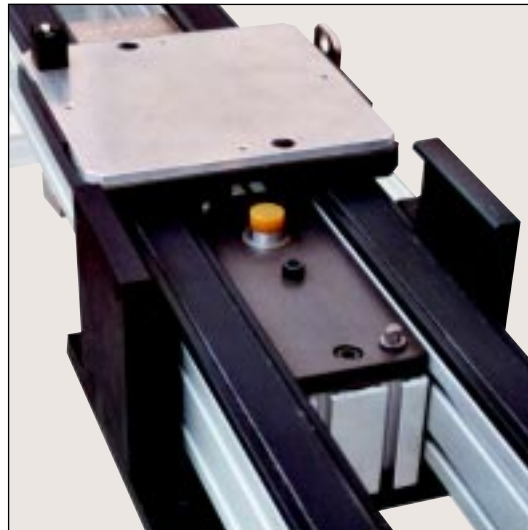
The positioning unit must be fixed on a frame capable of supporting the strain applied.

#### Multi-positioning units :

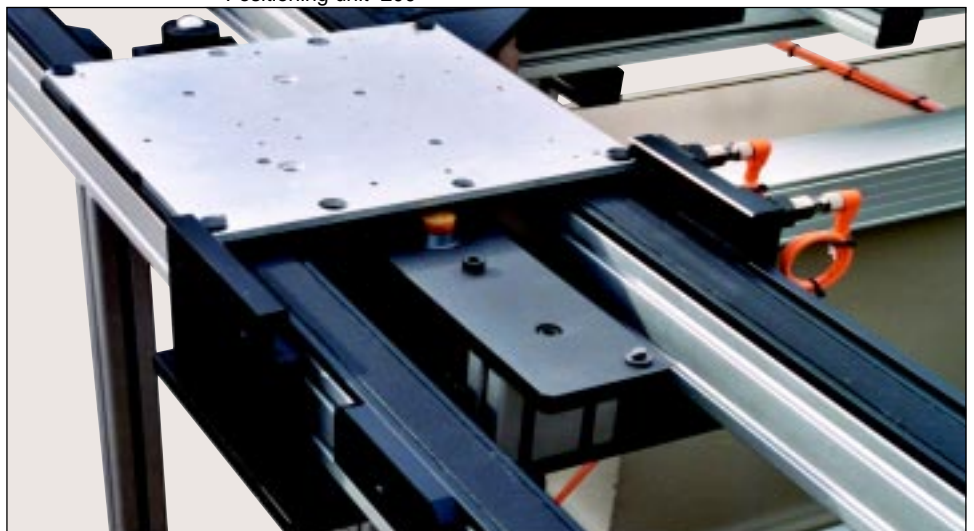
Allow two accurate positionings of the workpiece carrier at the same station.



Positioning unit 100



Positioning unit 200



Positioning unit 400


## Positioning units

TLM 1000

### Width 100

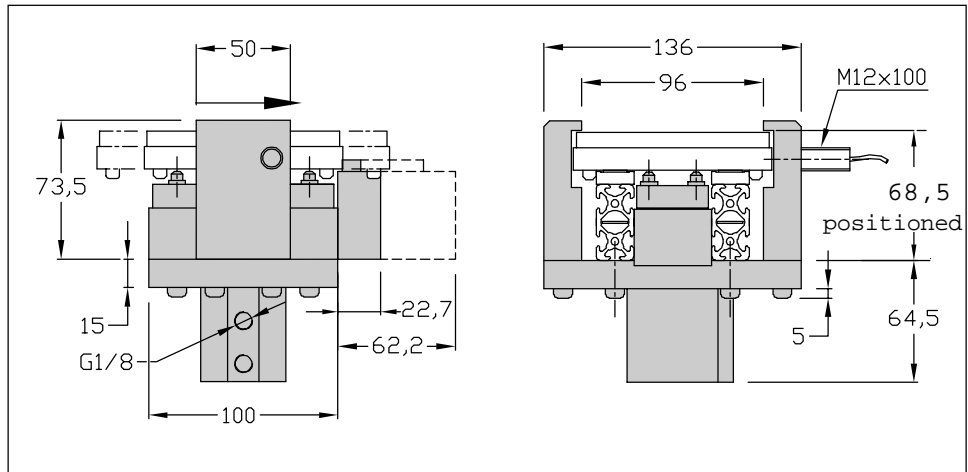
#### Technical data

Complete set including :  
 Stopper  
 Positioning unit  
 Anti bouncing back device  
 1 double effect cylinder  $\varnothing 32$ ,  
 detectable positions  
 Holes for shielded mounting  
 sensor M12x100  
 Detection range : 4 mm

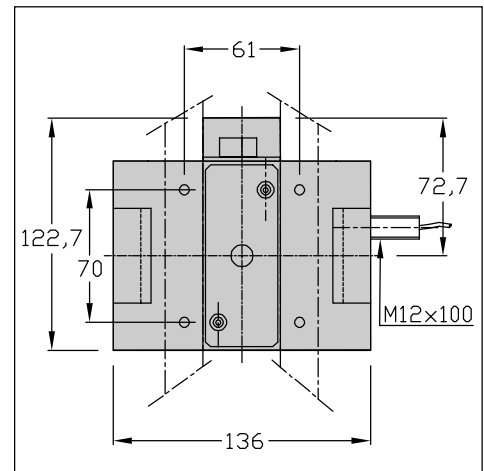
 Flow rate controller  
 G 1/8 should be adapted

Maximum vertical strain :  
 40 daN for a pressure of 6 bars  
 Repeatability : +/- 0,03 mm

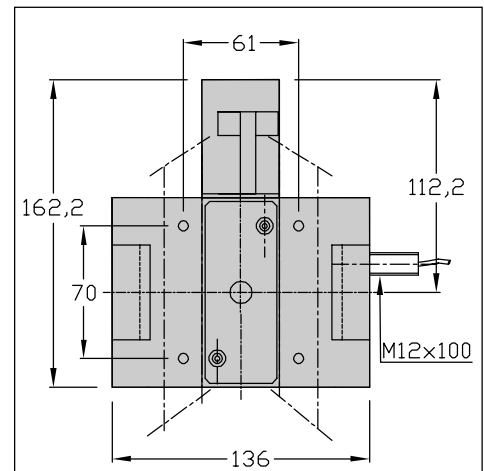
**Weight** : 2 kg



Positioning unit 100



Positioning unit 100  
 with simple effect or double effect stopper



Designation/Dimensions	Order unit	Reference
Positioning unit 100	1 pce	110.09.000
Simple effect	1 pce	110.24.000
Double effet	1 pce	110.25.000

## Positioning units

TLM 2000

**Width** 200  
300  
400

### Technical data

Complete set including :

Stopper

Positioning unit


1 double effect cylinder  $\varnothing$  32 (stopper)

1 double effect cylinder  $\varnothing$  50 (positioning unit)

detectable positions

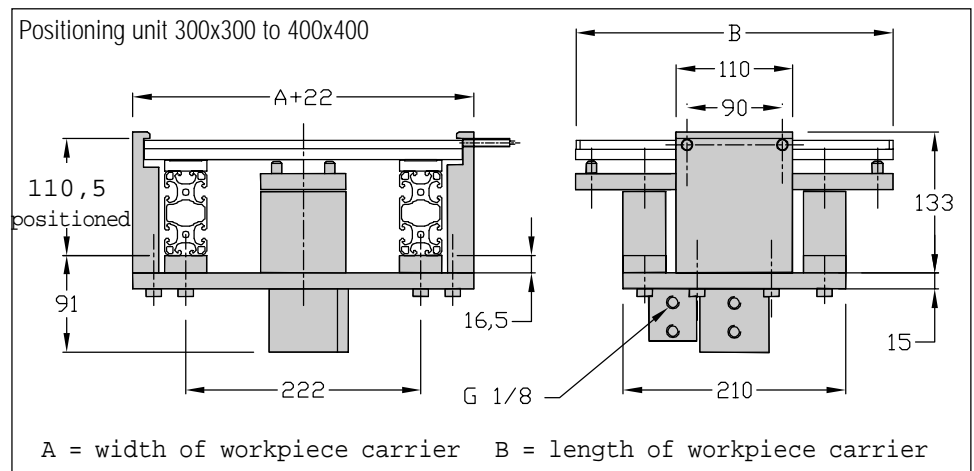
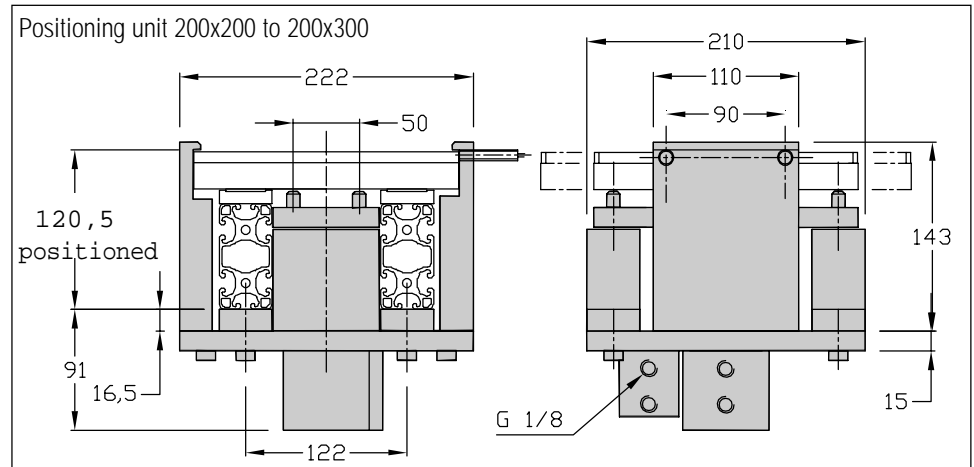
Holes for shielding mounting sensor M12x 100

Detection range : 4 mm

 Flow rate controller G 1/8 should be adapted

Maximum vertical strain : 100 daN for a pressure of 6 bars

Repeatability : +/- 0,03 mm



**Weight** 200 : 8,7 kg  
300 : 10,5 kg  
400 : 12,2 kg

Designation/Dimensions	Order unit	Reference
Positioning unit 200	1 pce	120.64.000
Positioning unit 300	1 pce	130.64.000
Positioning unit 300x400	1 pce	134.64.000
Positioning unit 400	1 pce	140.64.000
Specify (R) for spring stopper ex. : 130.64.000 (R)		

## Positioning units

### Positioning units for station


TLM 1000

Width 100

#### Technical data

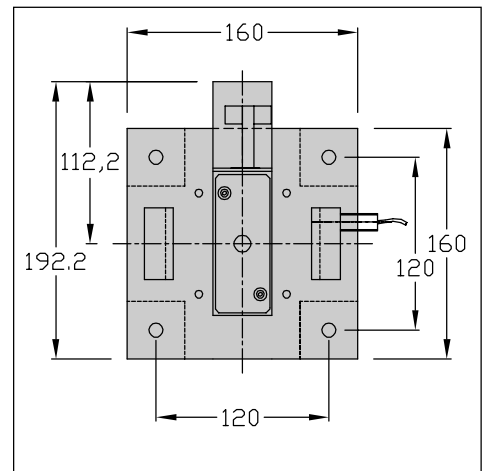
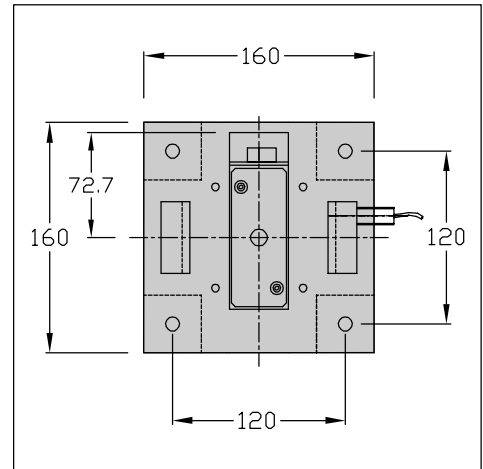
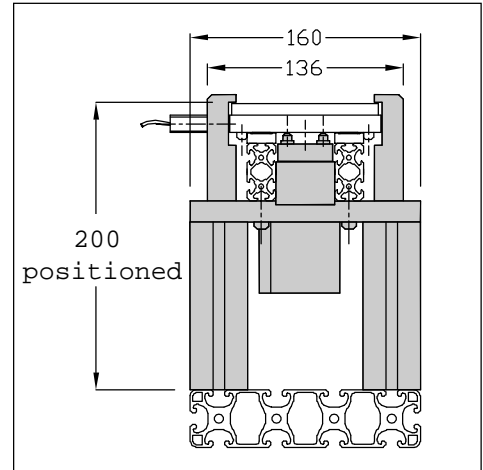
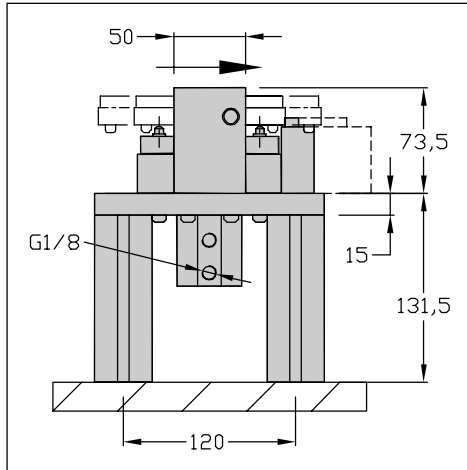
Complete set including :  
 Stopper and positioning unit  
 1 double effect cylinder  $\varnothing 32$ ,  
 detectable positions  
 Holes for shielded mounting  
 sensor M12x100  
 Detection range : 4 mm

4 supports in profile 8 40x40  
 Fastening parts

 Flow rate controller G 1/8  
 should be adapted

Maximum vertical strain :  
 40 daN for a pressure of 6 bars  
 Repeatability : +/- 0,03 mm

Weight : 3,4 kg



Designation/Dimensions	Order unit	Reference
Positioning unit for station 100	1 pce	110.10.000
Pos. unit for station 100 simple effect	1 pce	110.26.000
Pos. unit for station 100 double effect	1 pce	110.27.000



# Positioning units

## Positioning units for station

TLM 2000

**Width** 200  
300  
400

### Technical data

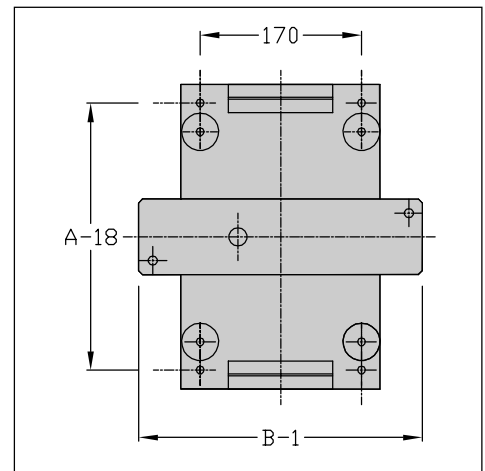
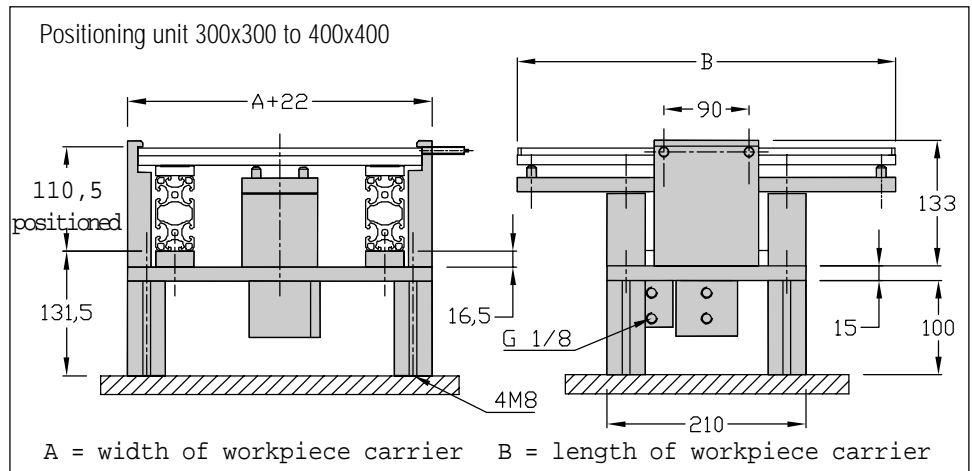
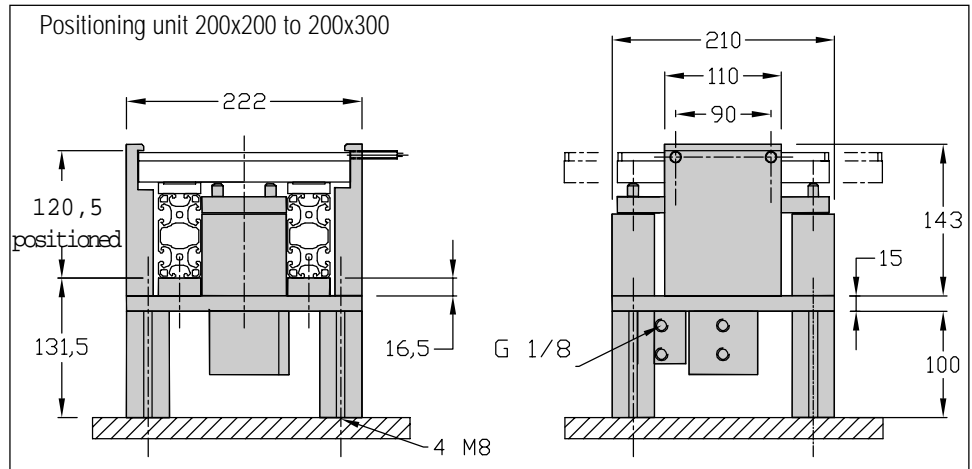
Complete set including :  
 Stopper  
 1 double effect cylinder  $\varnothing$  32 (stopper)  
 1 double effect cylinder  $\varnothing$  50 (positioning unit)  
 detectable positions  
 Holes for 2 inductive sensors M12x100  
 Detection range : 4 mm

4 supports in profile 8 40x40  
 Fastening parts

Flow rate controller G 1/8 should be adapted

Maximum vertical strain :  
 100 daN for a pressure of 6 bars  
 Repeatability : +/- 0,03 mm

**Weight** 200 : 10,2 kg  
 300 : 11,2 kg  
 400 : 13 kg



Designation/Dimensions	Order unit	Reference
Positioning unit for station 200	1 pce	120.69.000
Positioning unit for station 300	1 pce	130.69.000
Positioning unit for station 300x400	1 pce	134.69.000
Positioning unit for station 400	1 pce	140.69.000
Specify (R) for spring stopper ex. : 130.69.000 (R)		

## Positioning units


### Heavy positioning units

TLM 1000

#### Width 100

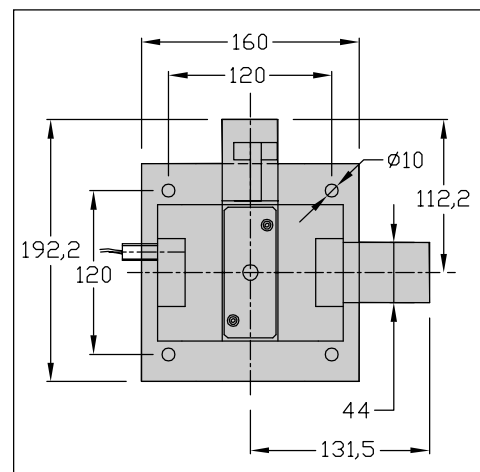
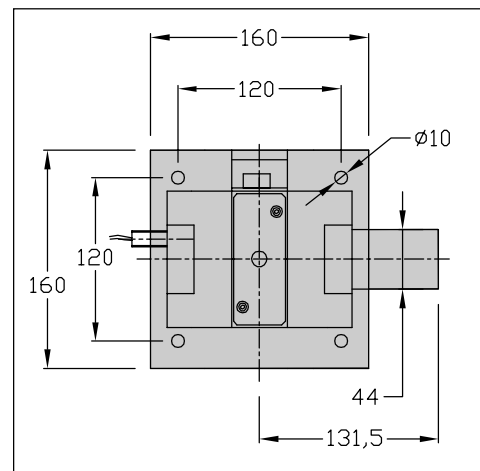
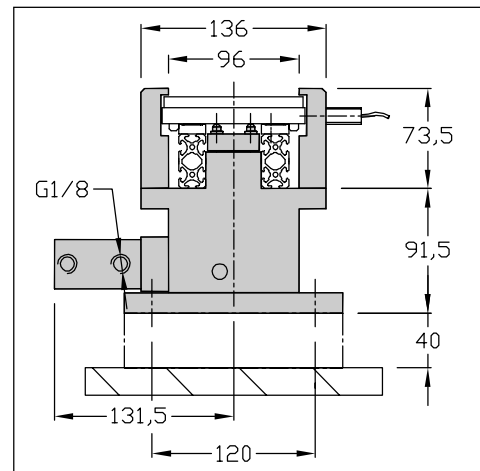
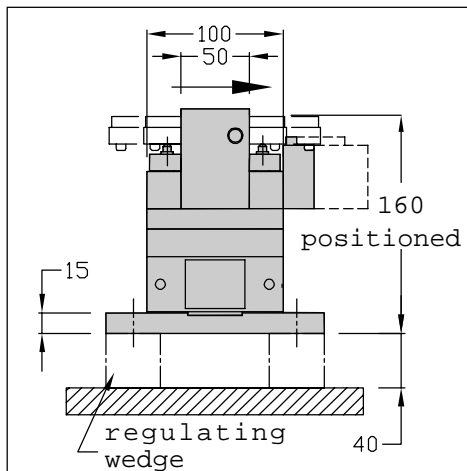
#### Technical data

Complete set including :  
 Stopper  
 Positioning unit  
 1 double effect cylinder  $\varnothing 25$ ,  
 detectable positions  
 Holes for shielded mounting  
 sensor M12x100  
 Detection range : 4 mm

 Flow rate controllers  
 G 1/8 should be adapted

Maximum vertical strain :  
 500 daN at the center of the  
 workpiece carrier  
 Repeatability : +/- 0,03 mm

**Weight : 8,7 kg**



Designation/Dimensions	Order unit	Reference
Heavy positioning unit 100	1 pce	110.11.000
Heavy pos. unit 100 simple effect	1 pce	110.28.000
Heavy pos. unit 100 double effect	1 pce	110.29.000

## Positioning units

### Heavy positioning units

TLM 2000

Width 200  
300  
400

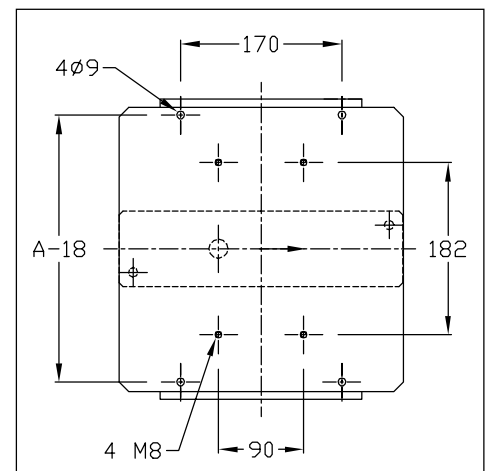
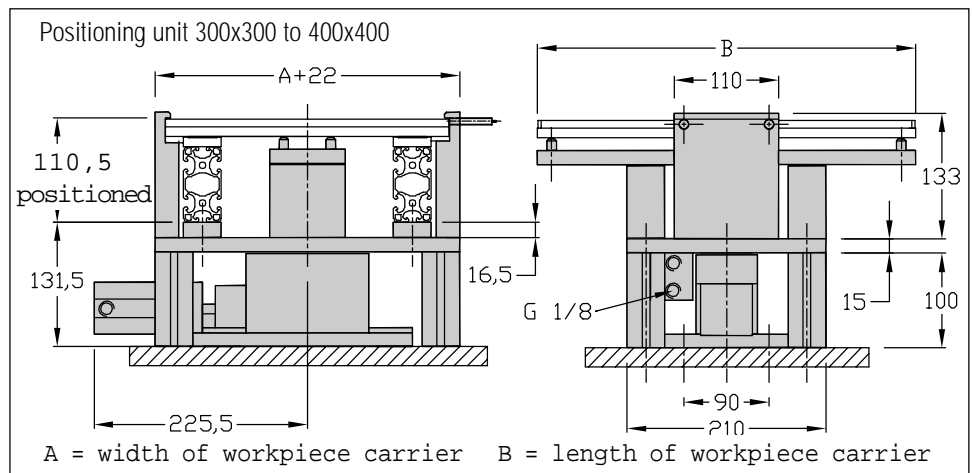
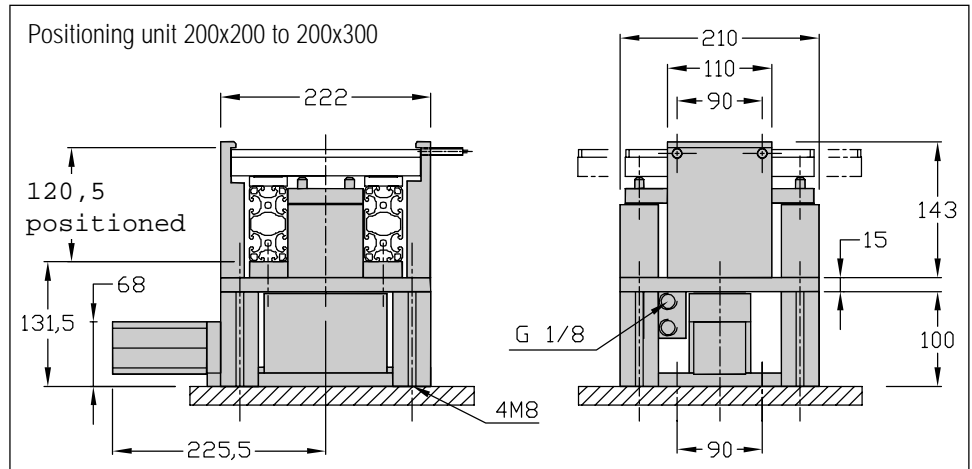
#### Technical data

Complete set including :  
Stopper  
Positioning unit  
2 pneumatic cylinders, detectable positions  
Profile stands 8 40x40  
Fastening parts  
Holes for shielded mounting sensors M12x100.  
Detection range : 4 mm

⚠ Flow rate controllers G 1/8 should be adapted

Maximum vertical strain : 1500 daN at the center of the workpiece carrier (60x60 mm)  
Repeatability : +/- 0,03 mm

Weight 200 : 18,3 kg  
300 : 19,6 kg  
400 : 21,8 kg



Designation/Dimensions	Order unit	Reference
Heavy positioning unit 200	1 pce	120.68.000
Heavy positioning unit 300	1 pce	130.68.000
Heavy positioning unit 300x400	1 pce	134.68.000
Heavy positioning unit 400	1 pce	140.68.000
Specify (R) for spring stopper ex. : 134.68.000 (R)		

## Positioning units

### Lift positioning units


TLM 1000

Width 100

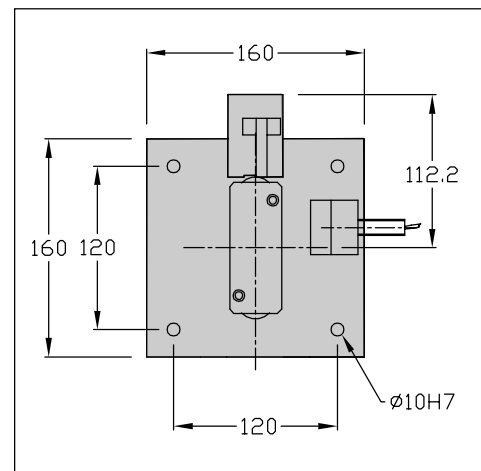
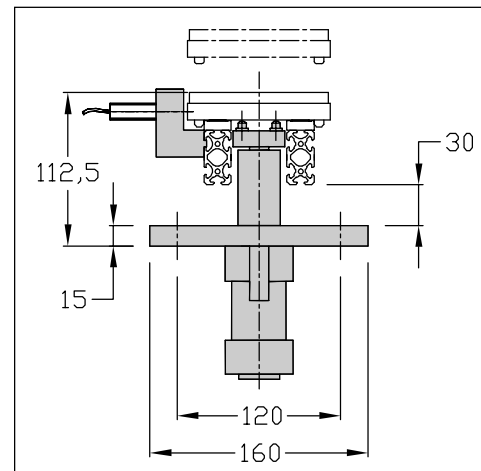
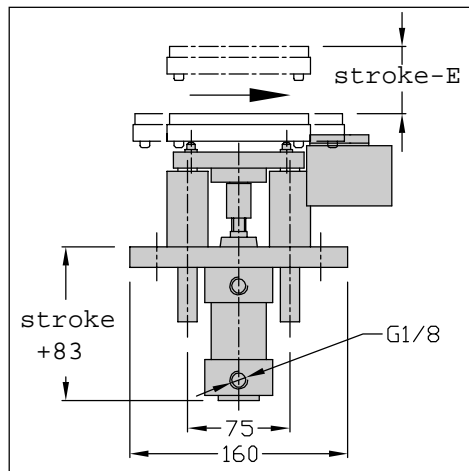
#### Technical data

Complete set including :  
 Impulse controlled stopper and anti bouncing back devices  
 1 double effect cylinder  $\varnothing$  32  
 Ball bearing guide bush  $\varnothing$  14  
 1 bracket for shielded mounting sensor M12x100.  
 Detection range : 4 mm

Cylinder strokes available :  
 25 - 50 - 100 - 160 - 200 mm

 Flow rate controller M5 and G 1/8 should be adapted

Maximum vertical strain :  
 40 daN for a pressure of 6 bars  
 Repeatability : +/- 0,06 mm



Weight : 3,4 kg

Designation/Dimensions	Order unit	Reference
Lift positioning unit 100 simple effect	1 pce	110.12.000
Lift positioning unit 100 double effect	1 pce	110.31.000

## Positioning units

### Lift positioning units


TLM 2000

Width 200  
300  
400

#### Technical data

Complete set including :  
 Stopper  
 Positioning unit  
 Ball bearing guide bush  $\varnothing 25$   
 1 cylinder  $\varnothing 32$  (stopper)  
 1 cylinder  $\varnothing 50$  (positioning unit),  
 detectable positions  
 Spacers  
 Fastening parts  
 2 brackets for shielded  
 mounting sensor M12x100.  
 Detection range : 4 mm

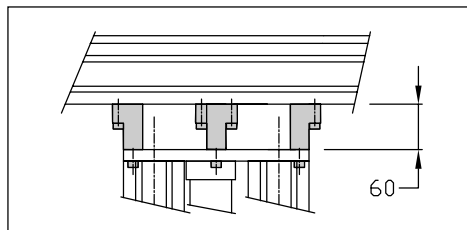
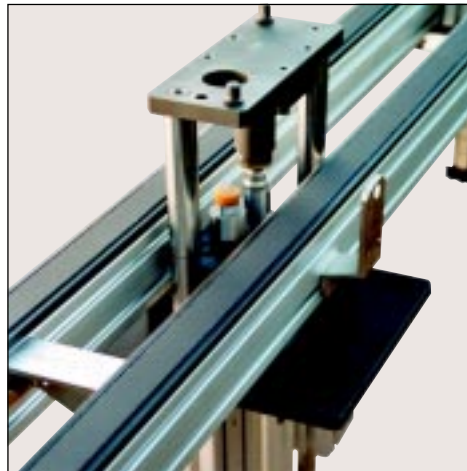
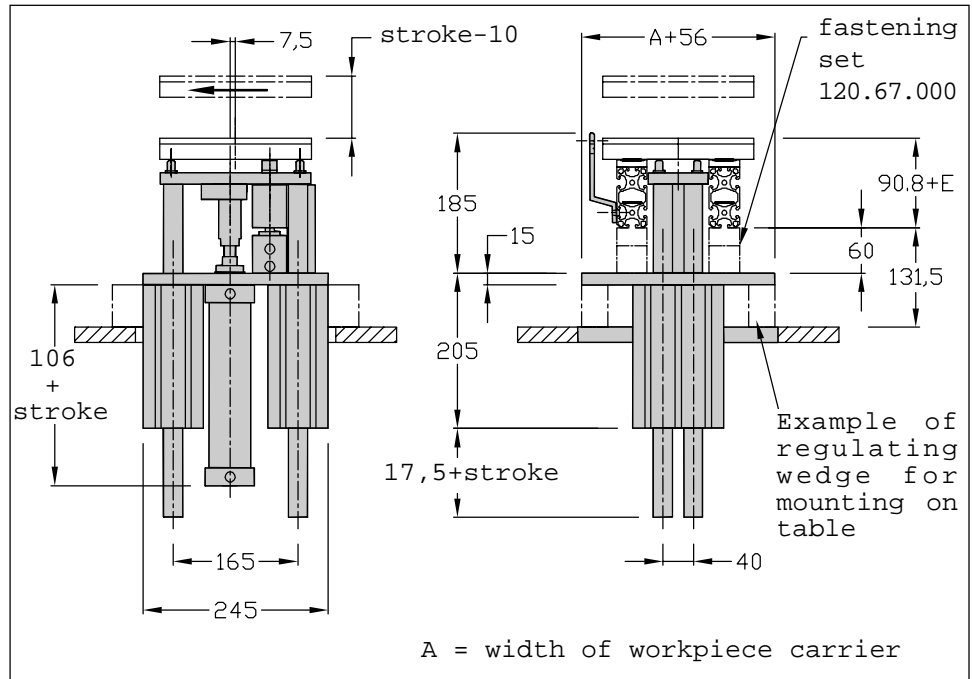
Cylinder strokes available :  
 50 - 80 - 100 - 125 - 160 - 200 -  
 250 - 300 - 320 - 400 mm

 Flow rate controller  
 G 1/8 should be adapted

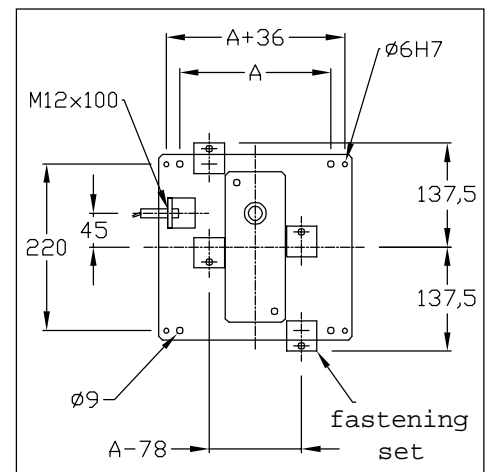
A stopper situated before the  
 lift unit is generally necessary  
 to avoid the arrival of another  
 workpiece carrier during lifting.

Maximum vertical strain :  
 100 daN for a pressure of 6  
 bars  
 Repeatability : +/- 0,06 mm

Weight 200 : 10,6 kg  
 300 : 19,6 kg  
 400 : 22,5 kg



Fastening set under the conveyor



#### Designation/Dimensions

#### Order unit

#### Reference

Lift positioning unit 200	1 pce	120.66.000
Lift positioning unit 300	1 pce	130.66.000
Lift positioning unit 300x400	1 pce	134.66.000
Lift positioning unit 400	1 pce	140.66.000
Fastening set	1 pce	120.67.000
Specify (R) for spring stopper ex. : 140.66.000 (R)		

## Positioning units

### Press-positioning units

TLM 2000

Width 200  
300  
400

#### Technical data

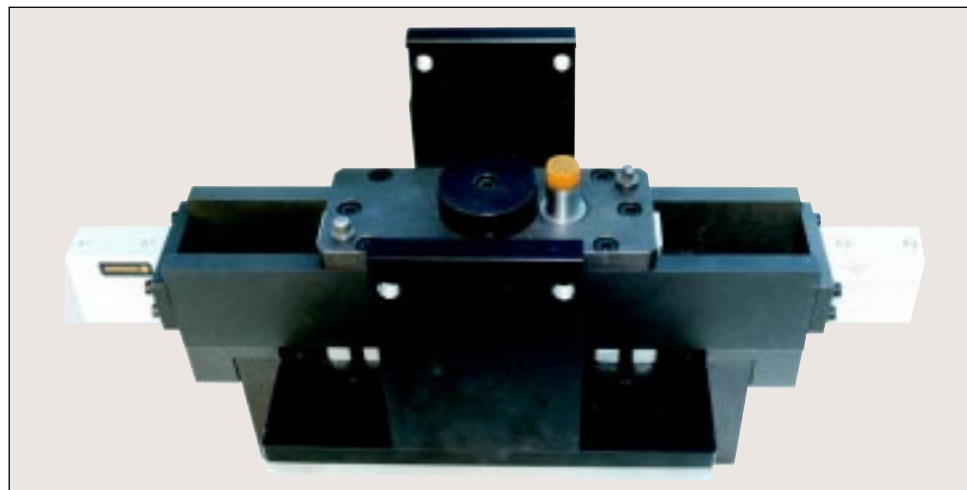
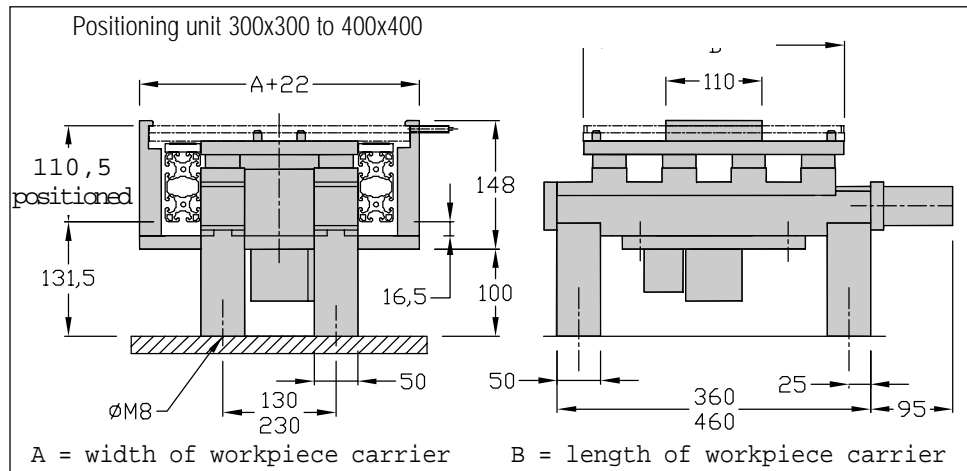
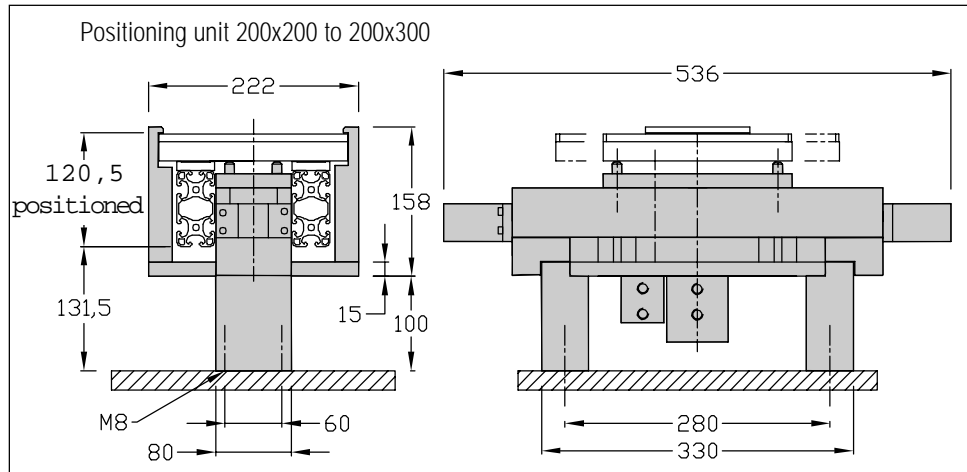
Complete set including :  
Stopper  
Lifting cylinder  
2 locking cylinders  
Fastening parts  
Holes for shielded mounting sensor M12x100.  
Detection range : 4 mm

⚠ Flow rate controller G 1/8 should be adapted

The press-positioning unit must be fixed on a frame capable of supporting the strain applied.

Maximum vertical strain :  
200x200 : 3 000 daN  
300x300 : 5 000 daN  
400x400 : 5 000 daN

Repeatability : +/- 0,03 mm



Designation/Dimensions	Order unit	Reference
Press-positioning unit 200x200	1 pce	120.33.000
Press-positioning unit 300x300	1 pce	130.33.000
Press-positioning unit 300x400	1 pce	134.33.000
Press-positioning unit 400x400	1 pce	140.33.000
Specify (R) for spring stopper ex. : 120.33.000 (R)		

## Positioning units

### Multi-positioning units

#### Width 100


#### Technical data

Complete set including :  
 Stopper  
 Positioning unit 100  
 Slide PS 20  
 Strokes : 50 - 100 ou 200

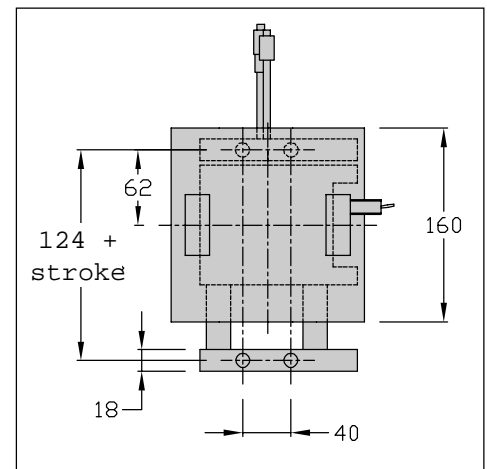
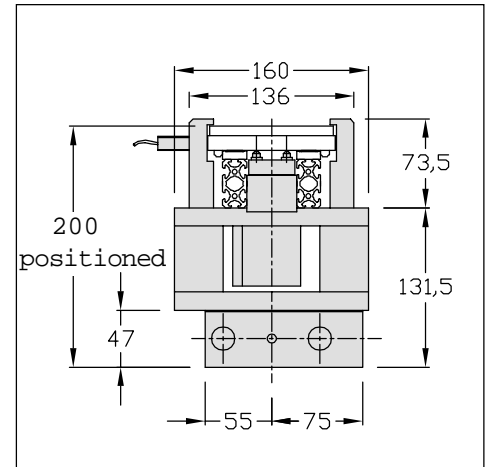
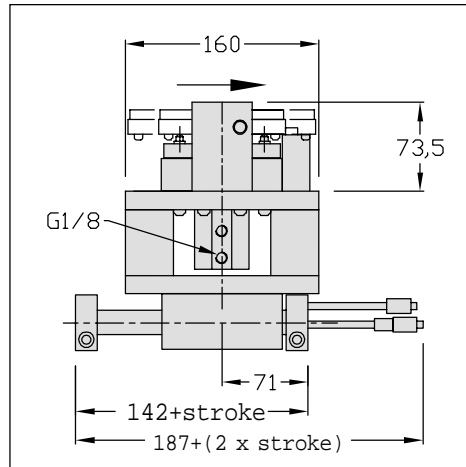
The slide is fitted with shock absorbers and stop screws with integrated sensors.

Maximum vertical strain :  
 Strokes 50 ou 100 : 40 daN  
 Stroke 200 : 20 daN

Repeatability : +/- 0,04 mm

 A stopper situated before the lift unit is generally necessary to avoid the arrival of another workpiece carrier during the slide moving.

**Weight** : 7,4 kg



Designation/Dimensions	Order unit	Reference
Multi-positioning unit 100	1 pce	110.19.000.***
(***) = strokes 50 - 100 - 200 ex. stroke 50 : 110.19.000.050)		

## Positioning units

### Multi-positioning units

#### Width 200


#### Technical data

Complete set with :  
 Stopper  
 Positioning unit 200  
 Slide PS 20  
 Strokes : 50 - 100 ou 200

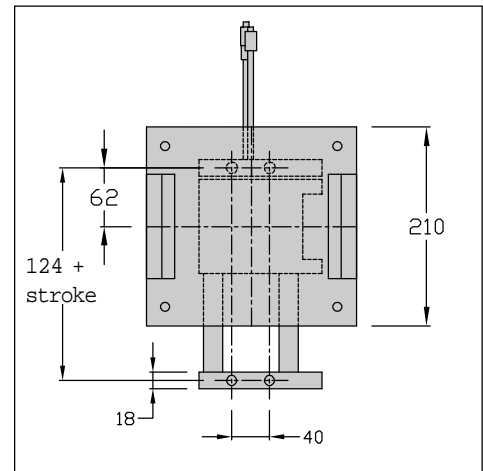
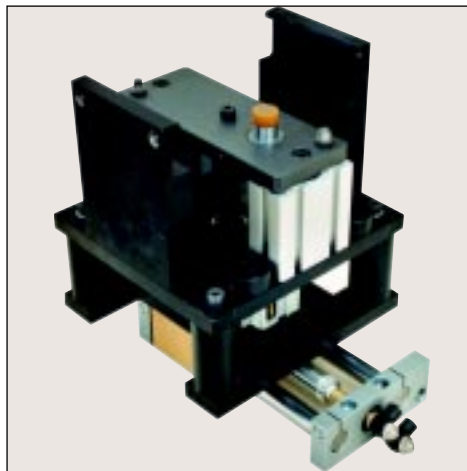
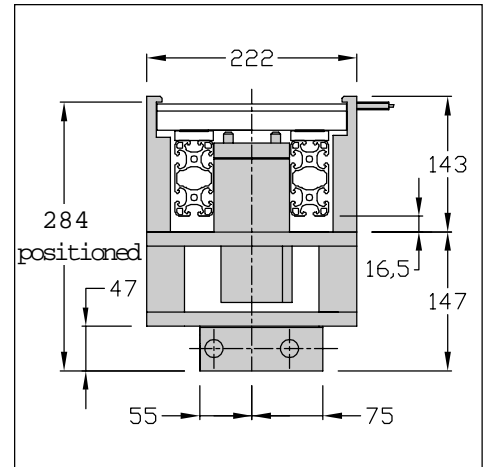
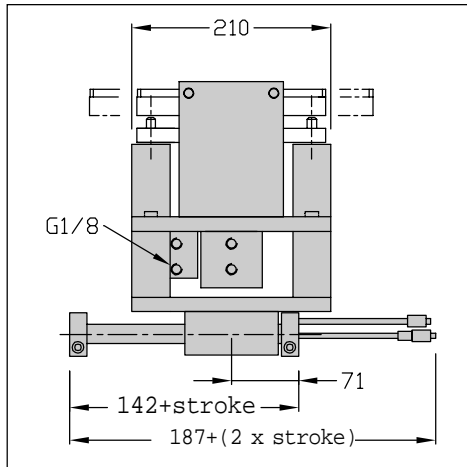
The slide is fitted with shock absorbers and stop screws with integrated sensors.

Maximum vertical strain :  
 Strokes 50 ou 100 : 40 daN  
 Stroke 200 : 20 daN

Repeatability : +/- 0,04 mm

 A stopper situated before the lift unit is generally necessary to avoid the arrival of another workpiece carrier during the slide moving.

**Weight** : 14,5 kg



**Designation/Dimensions**

**Order unit**

**Reference**

**Multi-positioning unit 200**

**1 pce**

**120.72.000.\*\*\***

(\*\*\* = strokes 50 - 100 - 200

ex. stroke 50 : 120.72.000.050)



# Sensor bracket M12x100

TLM 1000

TLM 2000

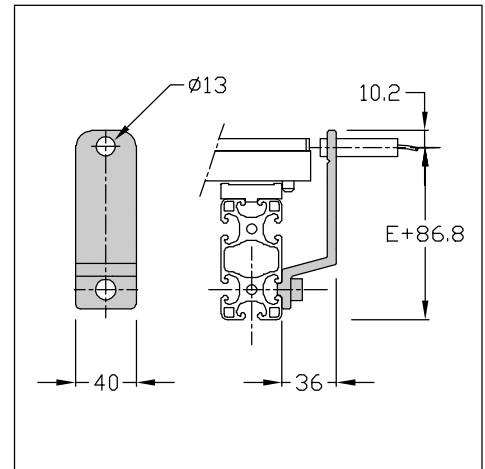
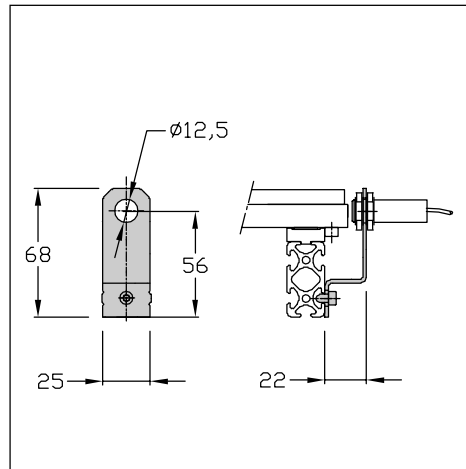
## Use

Bracket for workpiece carrier M12x100 sensor.

## Technical data :

Stainless steel 2 mm  
Nut 5 St M4 + screws

Cast aluminium  
Nut 8 St M6 + screw



**Weight** 100 : 0,035 kg  
200 : 0,1 kg  
300 : 0,1 kg  
400 : 0,1 kg

Designation/Dimensions	Order unit	Reference
Sensor bracket 100	1 pce	110.17.000
Sensor bracket 200	1 pce	120.10.000
Sensor bracket 300-400	1 pce	140.10.000

# Anti bouncing back

TLM 1000

TLM 2000

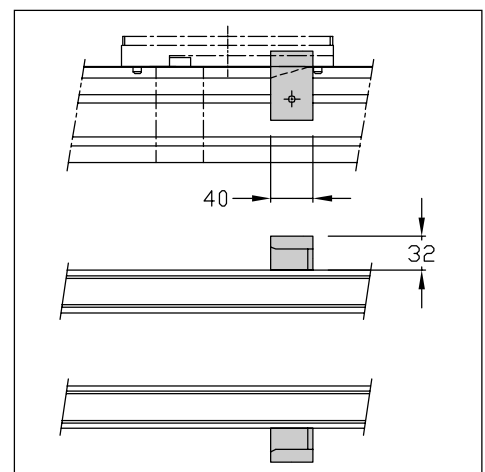
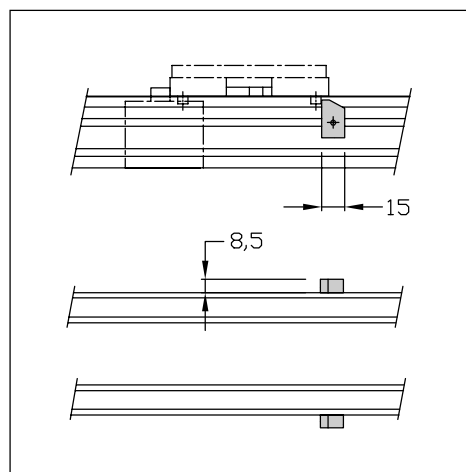
## Use

Avoids workpiece carrier bouncing back on stoppers or positioning units in case of high speed.

Allows to reduce the changing time of workpiece carriers in the positioning unit.

## Technical data

Parts, PA black  
Fastening parts



**Weight** : 0,1 kg

Designation/Dimensions	Order unit	Reference
Anti bouncing back 100	1 set	110.30.000
Anti bouncing back 200	1 set	120.30.000

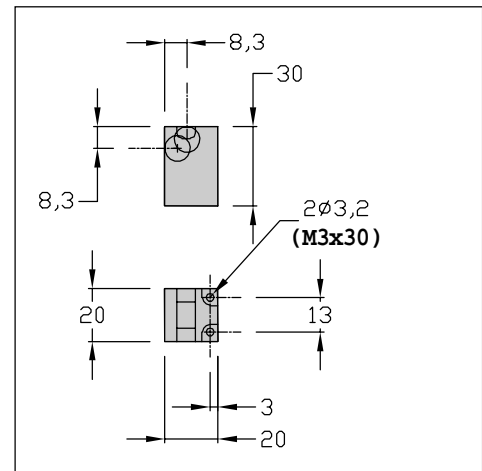
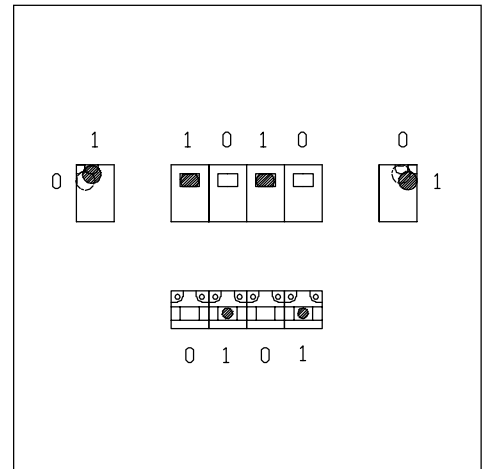
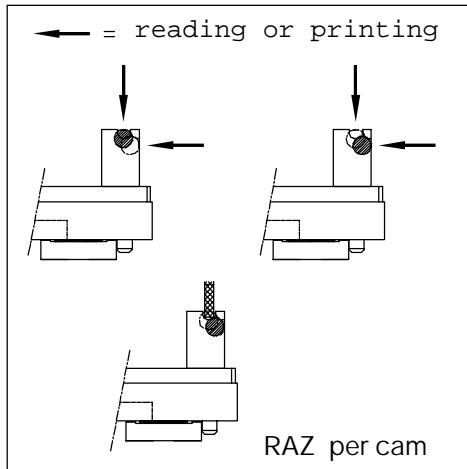
## Logic block

TLM 1000

TLM 2000

### Use

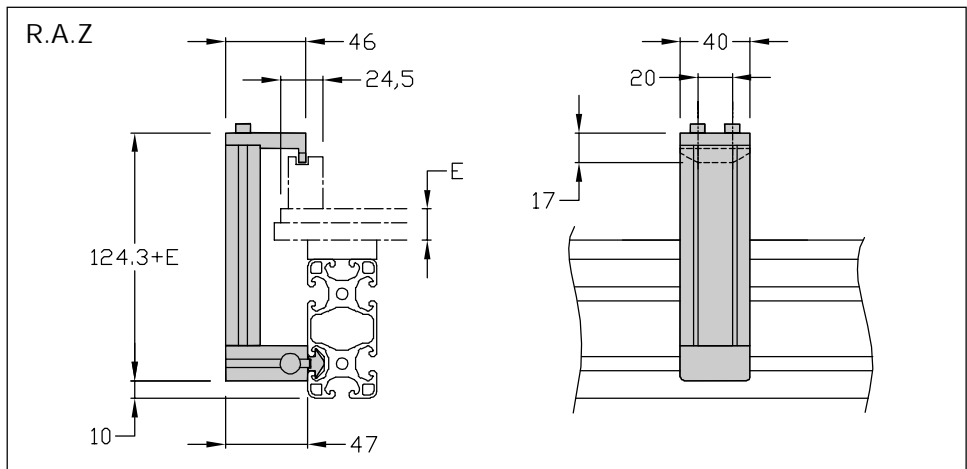
Allows simple identification of workpiece carriers and memorising information at different stages of the line. The coder consists in a plastic body in which steel ball can only have two stable positions. Coding is done by changing the position of the ball with a micro cylinder. Reading is done by magnetic detection. Resetting can be done simply by running the coder under a fixed cam. One coder is equivalent to 1 byte of memory. Several coders can be placed side by side on the same workpiece carrier .



### Technical data

Body, PA black  
Steel ball ø 10

**Weight :**  
Logic block : 0,018 kg  
RAZ : 0,19 kg



Designation/Dimensions	Order unit	Reference
Logic block	1 pce	100.00.000
R.A.Z. 200	1 pce	100.01.000
R.A.Z. 300 - 400	1 pce	100.02.000

## Inductive sensor M12x100

### Use

Detection for the workpiece carrier

### Technical data

Shielded mounting sensor  
M12x100 detection range :  
4 mm  
LED control display  
PNP- 10 - 30 VDC  
Screwed connection, cable 5 m

Designation/Dimensions	Order unit	Reference
Sensor M12x100	1 set	200.10.200

## Cylinder sensor

### Use

Detecting the position of cylinders, stoppers or positioning units.

### Technical data

12-27V  
LED control display  
Cable 5 m

Designation/Dimensions	Order unit	Reference
Sensor for cylinder, Stopper, Positioning unit	1 set	200.10.201
Sensor for cylinder, Lift Positioning unit	1 set	200.10.202

## Positioning kit

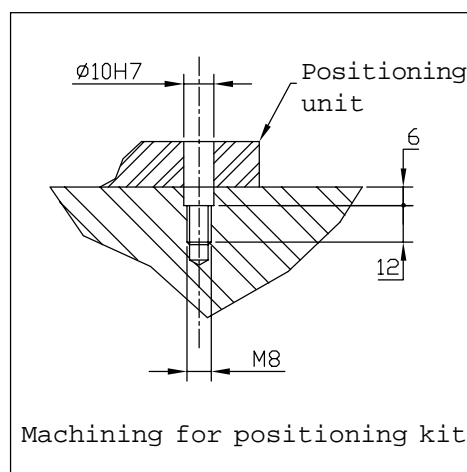
### Use

Allows accurate positioning unit on station.

### Technical data

2 axis screws M8  
2 hexagon socket head cap screws M8

Weight : 0,08 kg



Designation/Dimensions	Order unit	Reference
Positioning kit	1 set	120.62.000

## Belt welding kit

### Use

Welding bevelled conveyor belts.

Each kit includes :

- 1 belt tension system
- 1 thermic press
- 1 jar of glue

Designation/Dimensions	Order unit	Reference
Belt welding kit	1 set	900.00.002

## Bevelling device

### Use

Bevelling belts before welding.

Designation/Dimensions	Order unit	Reference
Bevelling device	1 set	800.00.001

## Belt

### Use

Belt for the moving of pallets on conveying units

Antistatic.

**TLM 1000** : 12,5 x 1 mm

**TLM 2000** : 25 x 1,6 mm

Designation/Dimensions	Order unit	Reference
Belt 12,5 x 1 mm	m	110.01.201
Belt 25 x 1,6 mm	m	120.00.201
Glue (40 g)	1 jar	800.00.004

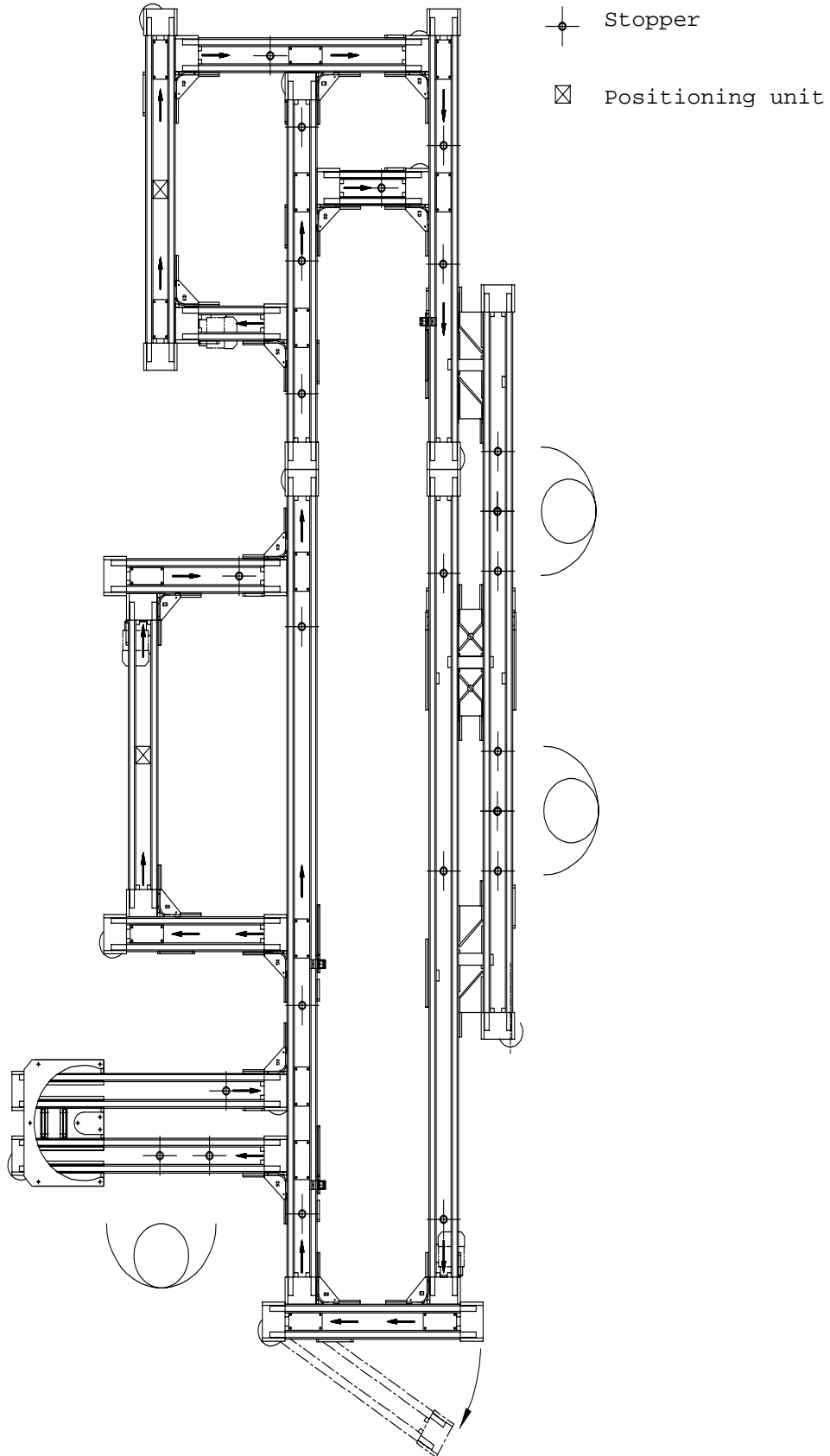
## CAD files

### Use

CAD-data as .DWG and .DXF files.

Designation/Dimensions	Order unit	Reference
.DWG files		on request
.DXF files		on request

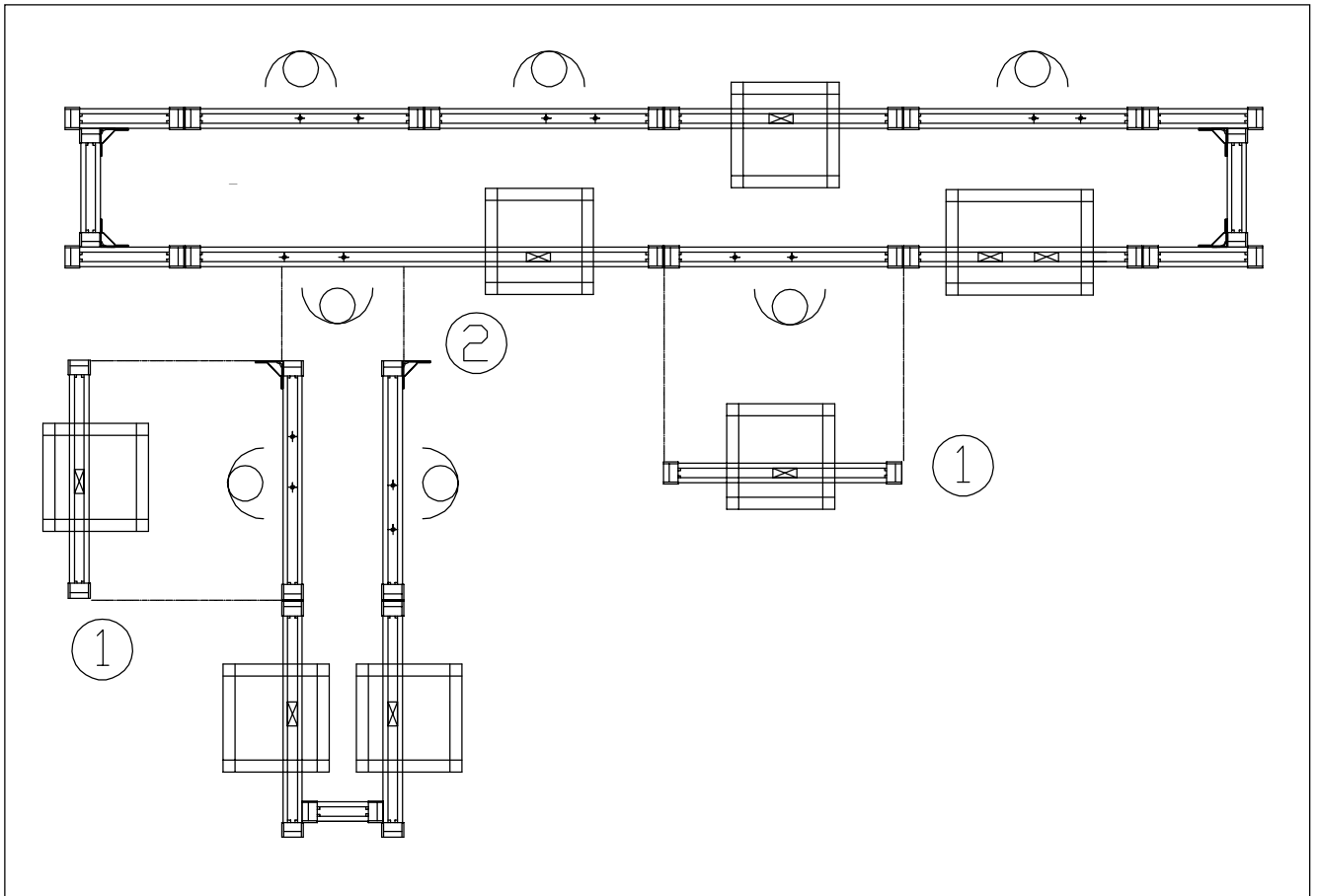
## Layout example



## Elcomodularity

According to the requirements of the manufacturing process, different kinds of modular designs are possible.

The design of the line can evolve in several stages.



### 1. Interchangeability of a module

- 4 fixing screws only
- No machining
- No adjusting

### 2. Adding a derivation

- 6 fixing screws
- No machining
- No adjusting