

elcom

LA LIBERTÉ DE CONCEVOIR

MODULAR TRANSFER SYSTEM

NEW PRODUCTS 2012

FRENCH INDUSTRIAL LEADER

elcom has brought innovating solutions to the industry.

Our approach offers a complete freedom of design thanks to a unique range of flat belt conveyors and modular transfer system.



EXCLUSIVE **item** PARTNER

Our partnership with the German firm **item** since 1986 has opened a large expertise field and a worldwide recognized network.

elcom's flat belt conveyor design, constructed from item's range of profiles, enables a great modularity.

GEOGRAPHICAL PRESENCE

Europe

France

Benelux

Italy

Germany

Spain

Scandinavia

Denmark

Finland

Norway

Sweden

North America

USA

Canada

South America

Australia

Asia

India

China

Malaysia

Singapore



COMPLETE RANGE AND NEW PRODUCTS

Our creations result from a wide range of products which is regularly enlarged by novelties. They offer unlimited possibilities in terms of industrial modularity.



SERVICES

x Strong production capacity and very high reactivity

x Important stock, fast delivery

x Preparation for kit delivery

x Assembly of complete sets

x Quotations based on customers' plans and sketches

x Technical advices

x CAD files library

x Fast prototype abilities



All services on our website

www.elcom.fr

NEW PRODUCTS

1



CONVEYING UNITS TLM 1000

PAGES

6 to 10

2



WORKPIECE CARRIERS TLM 1000

11 to 13

3



MULTIPLE UNITS TLM 1000

14 to 17

4



CONVEYING UNITS TLM 2000

18 to 27

5



WORKPIECE CARRIERS TLM 2000

28

6



STOPPERS WITH SHOCK ABSORBER TLM 2000

29 to 30

7



POSITIONING UNITS TLM 2000

31 to 36





Conveying unit timing belt

Moving and accumulating of workpiece carriers 100x100 and 100x150.

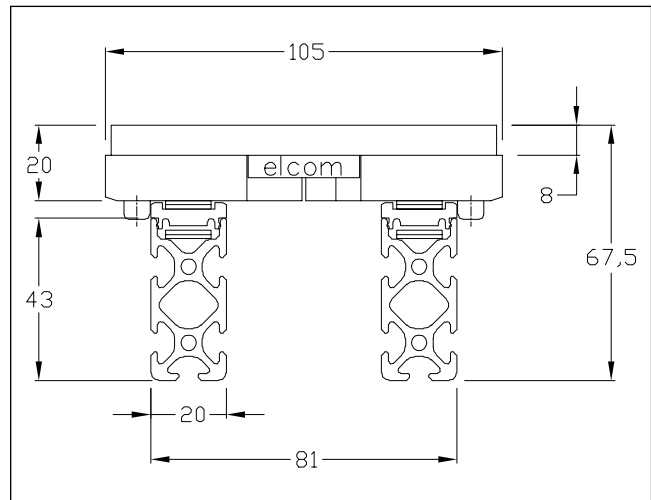
The motor can be fitted either vertically or horizontally.

The use of timing belts enables to increase the carried load and facilitates the maintenance when changing belts. Belt guides are pressed into aluminium profile housing.

According to the load, longer spans can be joined end to end by a straight joining.

The cutting of conveyors allows division of the lengths, making transport and installation of the lines easier.

Spacers have to be fitted between the profiles every 1 m or 1,5 m to ensure a perfect parallelism of the profiles.



Width 100

Technical data

Mini length L = 500 mm

Maxi length L = 3 160 mm

For longer spans and according to the load, use several conveying units.

Conveying unit including :

- x 1 idling unit
- x 1 driving unit
 - motor 380 V three-phase
 - 0,09 KW I : 0,4 Ampere
 - Speed : 12 or 16 m/min

Conveyor length :

- x 2 profiles 5 43x20, al anodized
- x belt guides, PA black
- x 2 antistatic timing belts
 - width 12 mm, 5 mm step

Maximum load /3 m : 70 daN

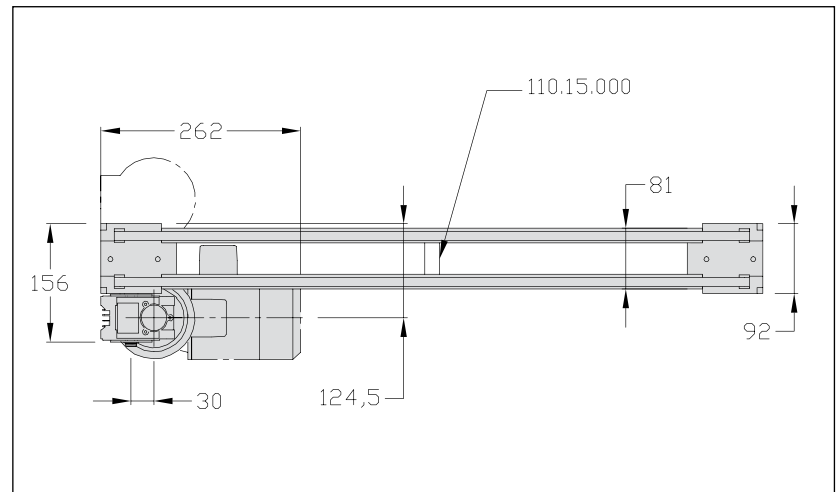
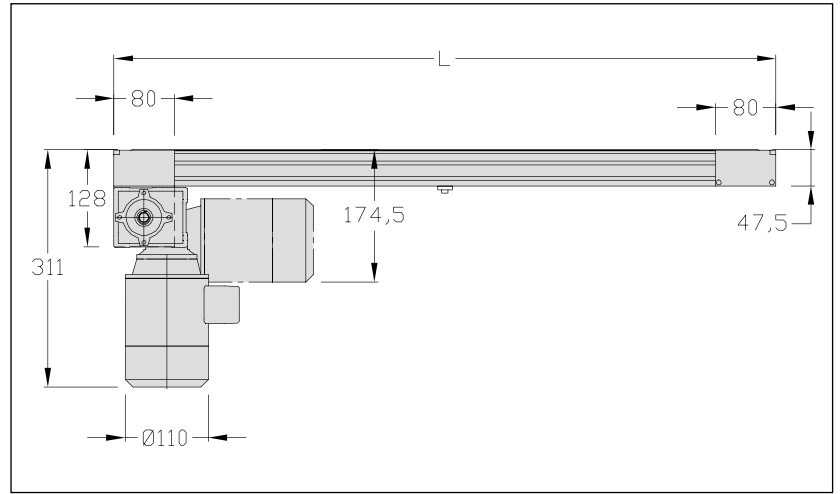


Maximum accumulation load /3 m : 35 daN

Belt length in mm :

$$L_c = [(L-160) \times 2 + 526] \times 0,9995$$

Weight : 7,5 kg + 2,07 kg /m



Designation / Dimensions	Order unit	Reference
Conveying unit 100 cc	1 pce	110.50.000.**
Conveying length cc	m	110.50.000.A

[** = speed of motor : 12 or 16 ex. : 110.50.000.12]

Width 100

APPLICATIONS

Caps allow to close the driving unit and the idling unit.

When using cam, the opposite cap of this one is delivered with the set cam.

Technical data

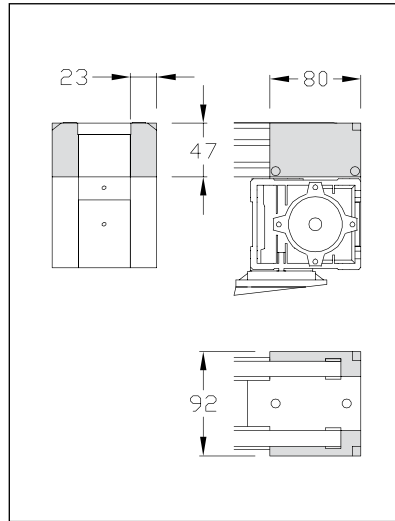
Cap for gearmotor 100 timing belt

x 1 part and 1 symmetric part, PA black

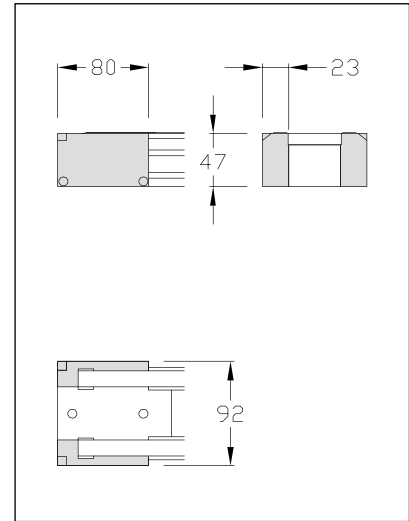
Cap for idling unit 100 timing belt

x 1 part and 1 symmetric part, PA black

Weight : 0,11 kg



Cap for gearmotor



Cap for idling unit

Designation / Dimensions	Order unit	Reference
Cap for gearmotor 100 cc	1 pce	110.50.100
Cap for idling unit 100 cc	1 pce	110.50.200

APPLICATIONS

Spacers ensure a perfect parallelism of profiles.

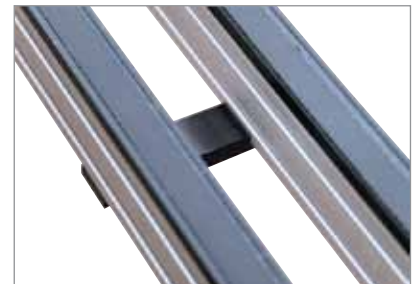
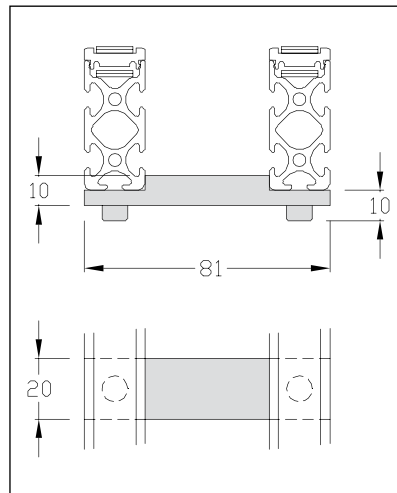
They must be positioned every meter.

Technical data

x Aluminium part

x Fastening part

Weight : 0,042 kg



Designation / Dimensions	Order unit	Reference
Spacer 100	1 pce	110.15.000

Width 100

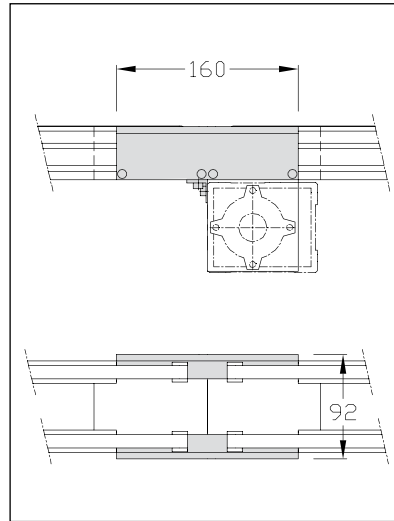
APPLICATIONS

Allows to join end to end two conveying units.

Technical data

- x Guide PA, black
- x Joining set, aluminum

Weight : 0,25 kg



Designation / Dimensions	Order unit	Reference
Straight joining 100 cc	1pce	110.52.000

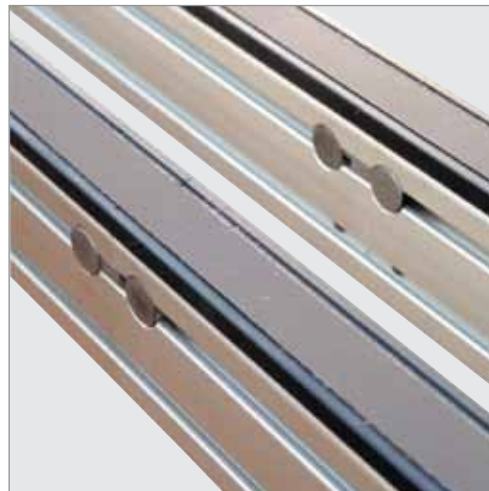
APPLICATIONS

They allow division of the conveyor lengths to make the transport and installation of the lines easier. They also enable the making of important lengths when the load is limited.

Technical data

- Maxi length 5 m
- 6 double universal fastenings 5

Weight : 0,06 kg



Designation / Dimensions	Order unit	Reference
Conveyor cut 100	1pce	110.05.000B

ED, EG, SD, SG Width 100

APPLICATIONS

Cams ED, EG, SD, SG timing belt for conveying unit with timing belt. They allow a perpendicular transfer of workpiece carriers from one conveying unit to other without automatism.

The workpiece carrier is guided by the two inside pins, the outside pins are retracted.

They are also used for derivations.



Do not accumulate the workpiece carriers in the cams.

For a good operating, the workpiece carrier which is coming in the cam mustn't be pushed by the other workpiece carriers.

Technical data

Complete set including :

- x Guiding cam and pin retracting plates, PA black
- x Fastening parts
- x Joining parts
- x A cap for gearmotor or for idling unit

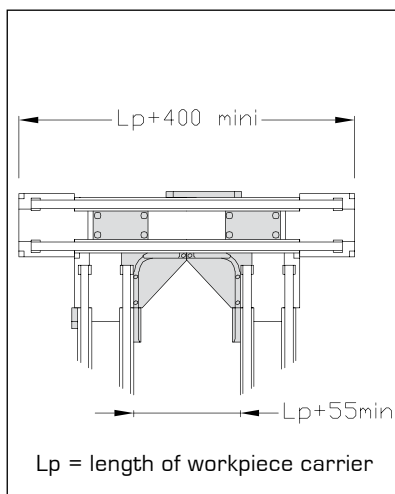
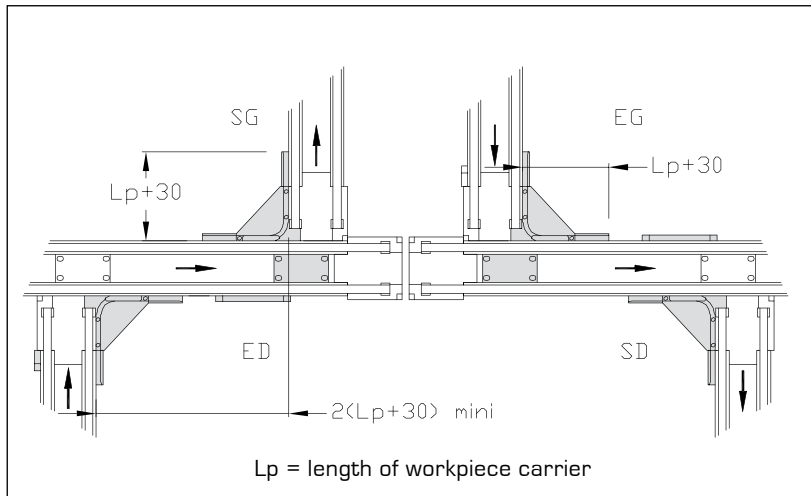
Different cams according to the length of workpiece carriers.

If a selection is necessary (derivation or not), add the derivation set (page 31 of general catalogue).

Weight :

Cam 100 cc : 0,42 kg

Cam 150 cc : 0,45 kg



Designation / Dimensions	Order unit	Reference
Cam ED 100 cc	1 set	110.53.100
Cam EG 100 cc	1 set	110.53.200
Cam SD 100 cc	1 set	110.53.300
Cam SG 100 cc	1 set	110.53.400
Cam ED 150 cc	1 set	115.53.100
Cam EG 150 cc	1 set	115.53.200
Cam SD 150 cc	1 set	115.53.300
Cam SG 150 cc	1 set	115.53.400

The workpiece carriers are used to support and position the components during the process.

The upper plate (made of aluminium) is used to fix the components and perform an accurate positioning of the workpiece carrier.

The PA base (which has a very low friction coefficient) is used to shelter the pins and to stop the workpiece carrier on the stopper.

Steel bushes assure perfect accuracy and resistance against deterioration.

On each side of workpiece carrier, small metallic bars allow detection of workpiece carriers at different positions.

Unidirectional workpiece carriers

They are perfectly compatible with a 180° swivelling.

Possibility of adding shock absorbers to limit the shock between the workpiece carriers and to reduce the noise (T).



If you use shock absorbers, set up a stopper before each positioning unit.

Multidirectional workpiece carriers

For square workpiece carriers only.

They are perfectly compatible with 90°, 180° and 270° swivellings, delivered with 2 bushes and 2 additional detection bars.



The use of shock absorbers is not possible.



Width 100

Technical data

Unidirectional workpiece carrier (U)

- x Plate Al
- x Base, PA black
- x 2 steel bushes
- x 4 pins PA
- x 4 springs
- x 4 countersunk screws M4x10
- x 2 detection bars
- x 2 plugs

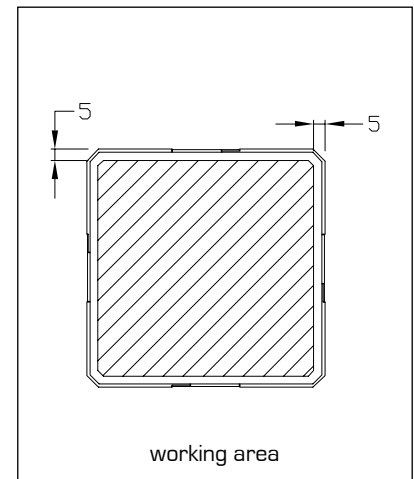
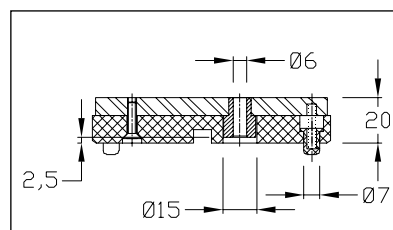
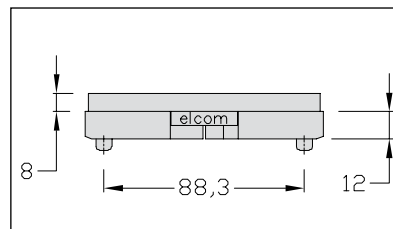
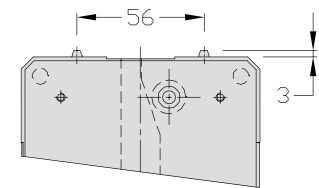
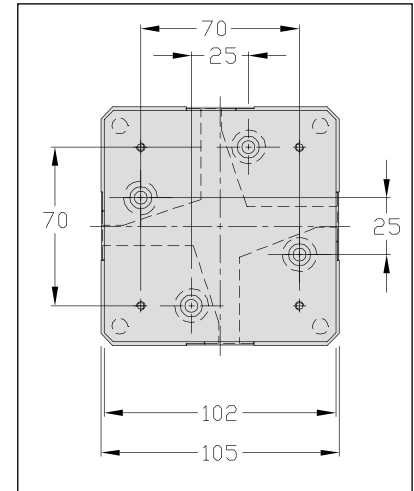
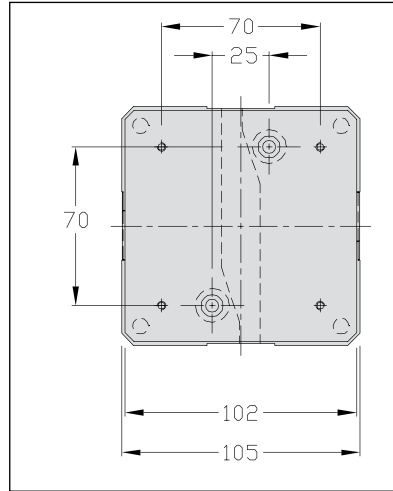
Multidirectional workpiece carrier (M)

- x Plate Al
- x Base, PA black
- x 4 steel bushes
- x 4 pins PA
- x 4 springs
- x 4 countersunk screws M4x10
- x 4 detection bars
- x 4 plugs



Maximum load : 2 daN

Weight : 0,41 kg



Designation / Dimensions	Order unit	Reference
Workpiece carrier U 100x100	1 pce	110.62.000
Workpiece carrier U 100x100 T	1 pce	110.62.000.T
Workpiece carrier M 100x100	1 pce	110.64.000

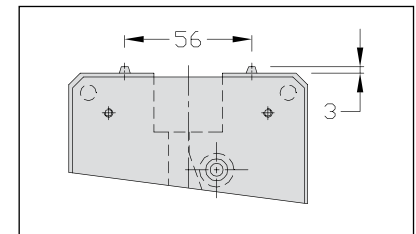
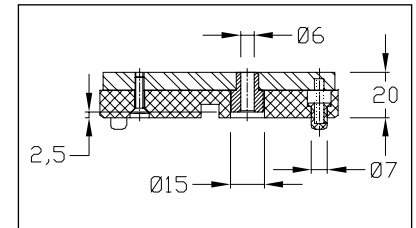
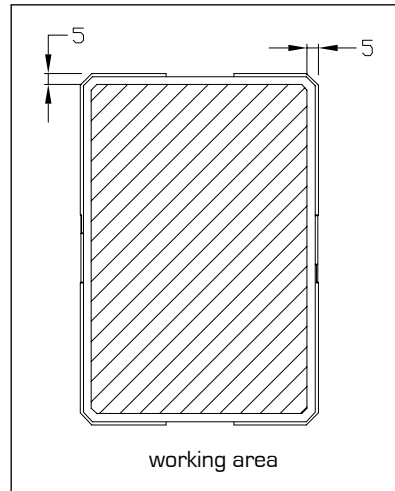
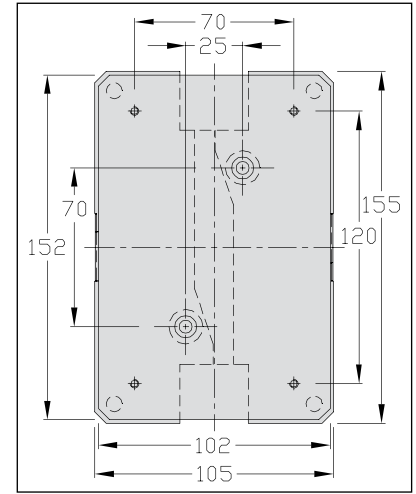
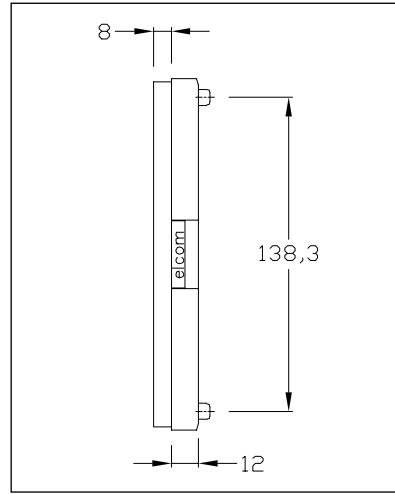
Width 150

Technical data

- x Plate Al
- x Base, PA black
- x 2 steel bushes
- x 4 pins PA
- x 4 springs
- x 4 countersunk screws M4x10
- x 2 detection bars
- x 2 plugs

 **Maximum load : 2 daN**

Weight : 0,53 kg



Designation / Dimensions	Order unit	Reference
Workpiece carrier U 100x150	1 pce	115.62.000
Workpiece carrier U 100x150 T	1 pce	115.62.000.T

Multiple Units 100

Multiple unit L 100

The use of unit L 100 enables to drive two conveyors with only one motor.
Reduction of wiring system and suppression of one contactor.

Multiple unit U 100

The use of unit U 100 enables to drive three conveyors with only one motor and thus to make a derivation.
Reduction of wiring system and suppression of two contactors.
Space saving.

Multiple unit C 100

The use of unit C 100 enables to drive three conveyors with only one motor and thus to make a derivation.
Reduction of wiring system and suppression of two contactors.
Space saving.



Width 100

Technical data

x Maximum accumulation load :
 Pulling conveyor : 25 kg
 Pushing conveyor : + 10 kg

x Maxi length :
 On pulling conveyor : 3 160 mm
 On pushing conveyor : 1 000 mm

Conveying unit including :

x 2 idling units
 x 2 driving units
 x 1 conic torque
 motor 380V three-phase
 0,09 KW I : 0,4 Ampere
 Speed : 10,15 or 20 m/min

Conveyor length

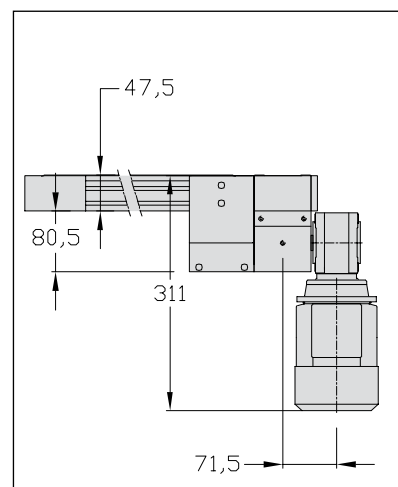
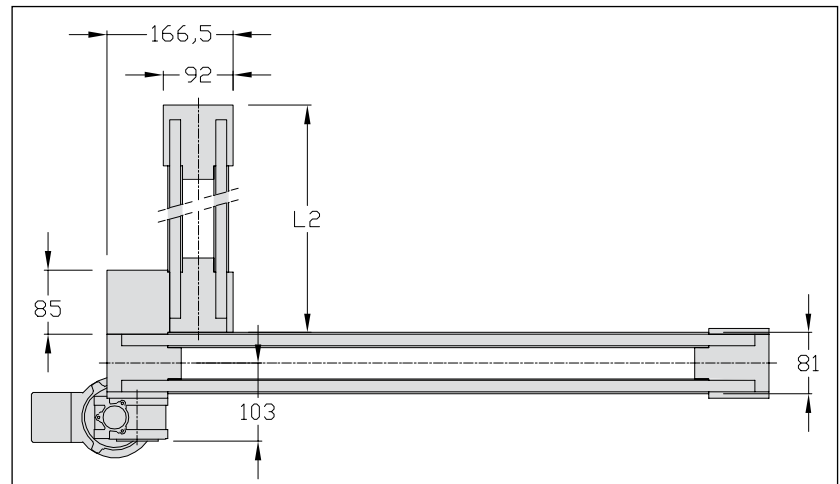
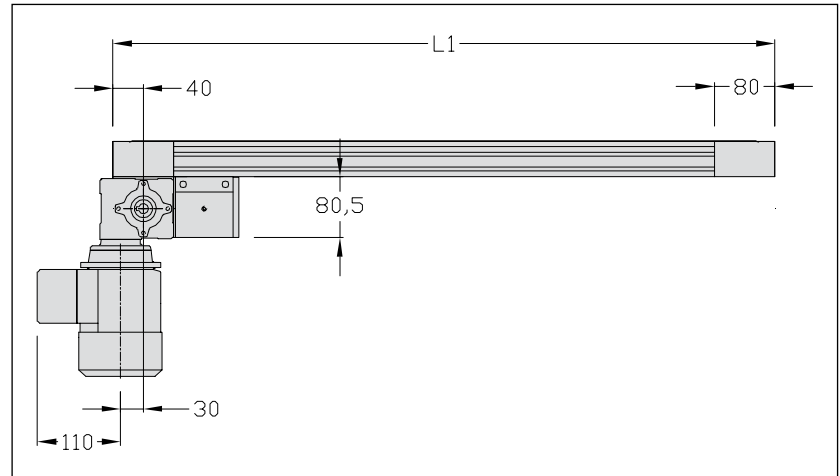
x 2 profiles 5 40x20, al anodized
 x belt guides, PA black
 x 2 flat belts width 12,5 mm
 thickness 1 mm

Mention lengths L1 and L2.

Belt length in mm :

$L_{\text{welded}} = [(L-160) \times 2 + 490] \times 0,97$

Weight : $13,4 + (L1 + L2) \times 2,07$ kg/m



Designation / Dimensions	Order unit	Reference
Multiple unit L 100	1 pce	110.39.000.**

[** = speed of motor : 10, 15 or 20 ex. : 110.39.000.10]

Width 100

Technical data

- x Maximum accumulation load :
 Pulling conveyor : 20 kg
 +5 kg on each perpendicular conveyor
- x Maxi length :
 On pulling conveyor : 2 000 mm
 On perpendicular conveyors : 600 mm

Conveying unit including :

- x 2 idling units
- x 4 driving units
- x 2 conic torques
 motor 380V three-phase
 0,09 KW I : 0,4 Ampere
 Speed : 10, 15 or 20 m/min

Conveyor length

- x 2 profiles 5 40x20, al anodized
- x belt guides, PA black
- x 2 flat belts width 12,5 mm
 thickness 1 mm

Mention lengths L1, L2 and L3.

Belt length in mm :

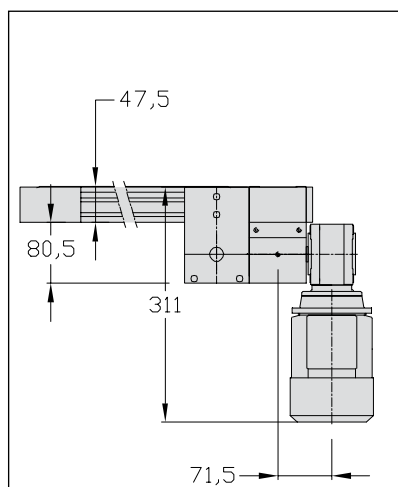
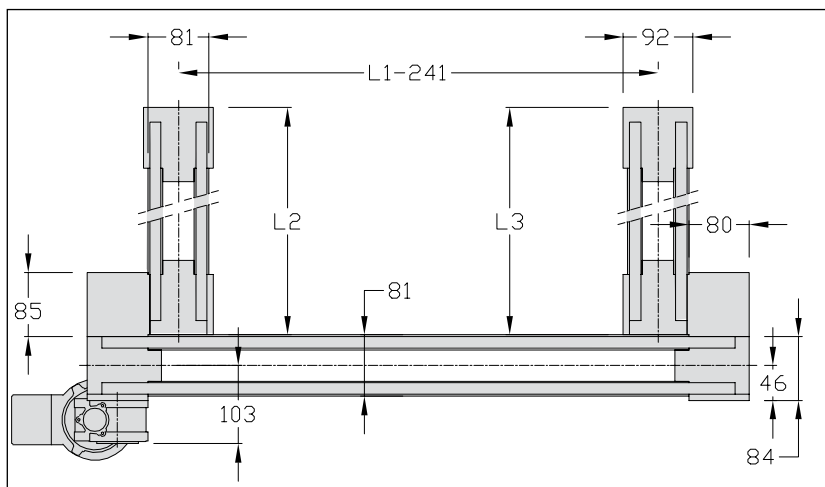
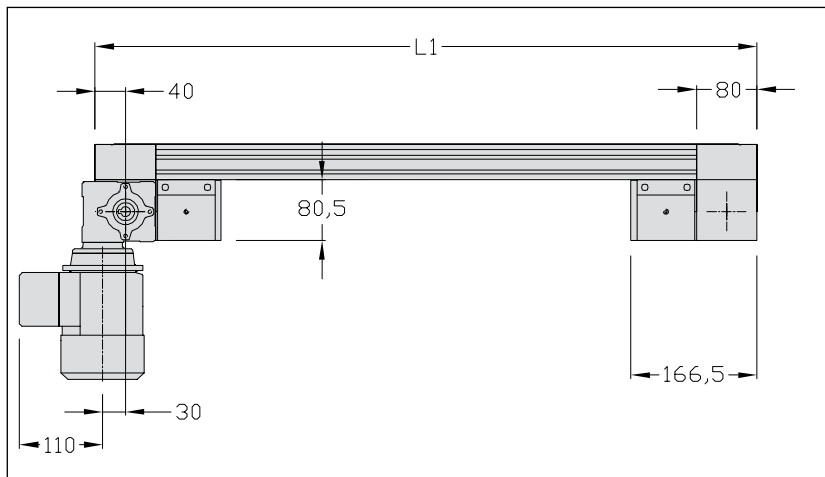
For length L1 :

$$L \text{ welded} = [(L-160) \times 2 + 678] \times 0,97$$

For lengths L2 and L3 :

$$L \text{ welded} = [(L-160) \times 2 + 490] \times 0,97$$

Weight: $18,8 + (L1+L2+L3) \times 2,07 \text{ kg/m}$



Designation / Dimensions	Order unit	Reference
Multiple unit U 100	1 pce	110.38.000.**

[** = speed of motor : 10, 15 or 20 ex. : 110.38.000.10]

Width 100

- x Maximum accumulation load :
On pulling conveyor : 20 kg
+ 10 kg on pushing conveyor
- x Maxi length : 2 000 mm

Conveying unit including :

- x 2 idling units
- x 2 driving units
- x 1 180° swivelling 100
- x 2 conic torques
motor 380V three-phase
0,09 KW I : 0,4 Ampere
Speed : 10, 15 or 20 m/min

Conveyor length

- x 2 profiles 5 40x20, al anodized
- x belt guides, PA black
- x 2 flat belts width 12,5 mm
thickness 1 mm



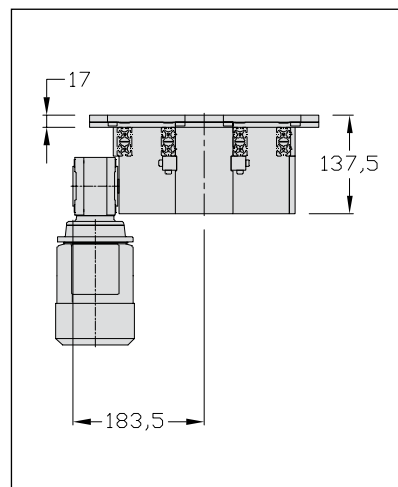
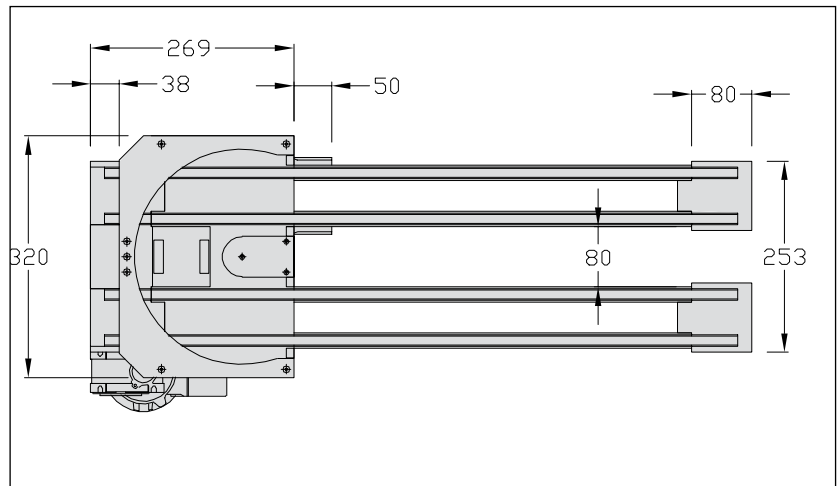
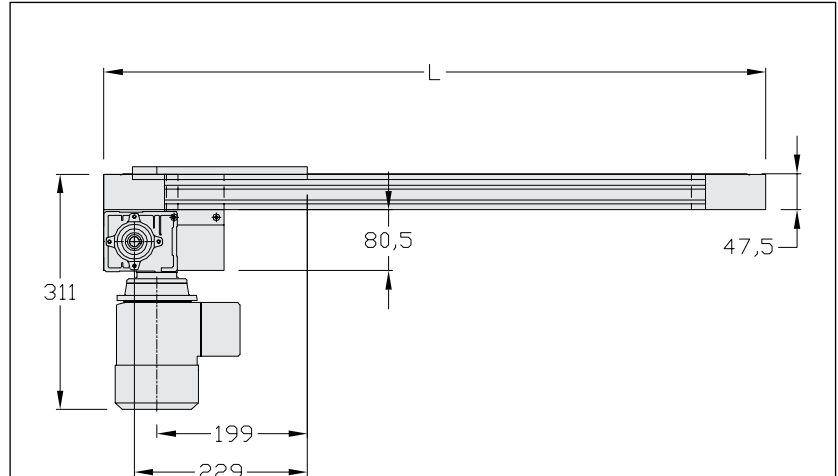
Do not accumulate in the return

Mention length L.

Belt length in mm :

$L_{welded} = [(L-160) \times 2 + 490] \times 0,97$

Weight : $20,2 + L \times 4,14$ kg/m



Designation / Dimensions	Order unit	Reference
Multiple unit C 100	1 pce	110.35.000.**

[** = speed of motor : 10, 15 or 20 ex. : 110.35.000.10]

Direct conveying units

- Moving and accumulating of workpiece carriers.
- The motor can be fitted either vertically or horizontally.
- Perfectly compatible with the other conveying units.
- The use of a new antistatic belt enables to make weldings Flex-prof.
- Change time is very reduced.
- Provide a spacer 120.15.000 every meter.



Light conveying units timing belt

- Moving and accumulating of workpiece carriers.
- The motor can be fitted either vertically or horizontally.
- Perfectly compatible with the other conveying units.
- The use of antistatic timing belts width 25 mm facilitates the maintenance at the time of belt changings.
- Belt guides are pressed into aluminium profile housing.
- Provide a spacer 120.15.000 every meter.



Heavy conveying units timing belt

- Moving and accumulating of workpiece carriers.
- The motor can be fitted either vertically or horizontally.
- Perfectly compatible with the other conveying units.
- The use of antistatic timing belts width 32 mm enables to convey important loads and facilitates maintenance at the time of belt changings.
- Belt guides are pressed into aluminium profile housing.
- Provide a spacer 120.15.000 every meter.



Width 200

Technical data

Mini length L = 500 mm

Maxi length L = 6 250 mm

For longer spans and according to the load, use several conveying units.

Conveying unit including :

- x 1 idling unit
- x 1 driving unit
 - Motor 230/400 V three-phase
 - 0,25 KW [9 m/min]
 - 0,37 KW [15 m/min]
 - 0,55 KW [19 m/min]
 - Speed : 9, 15 or 19 m/min

Conveyor length

- x 2 profiles 8 80x40, al anodized
- x 2 belt guides, PA black
- x 2 belts width 25 mm
thickness 1,6 mm, welded

Maximum load /6 m : 120 daN

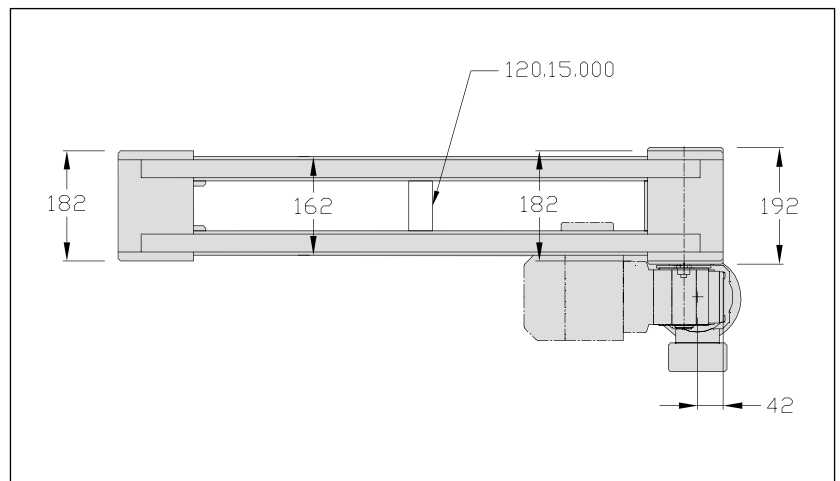
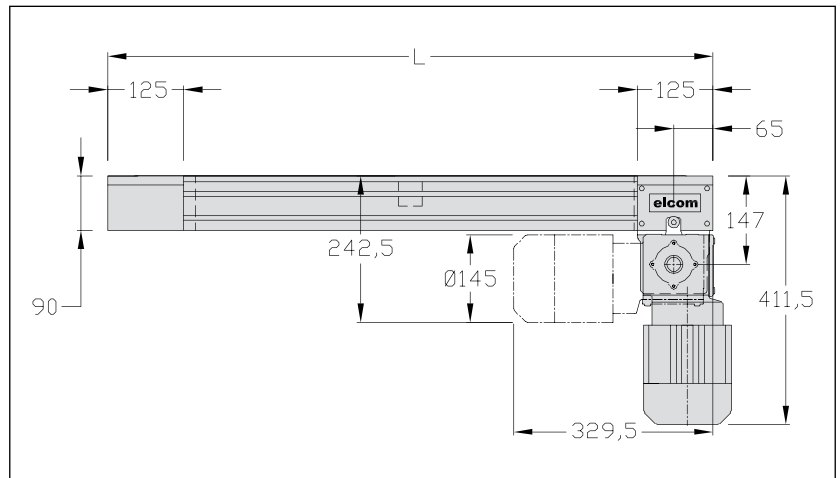
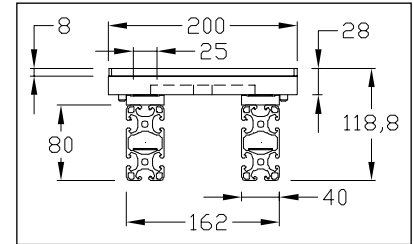
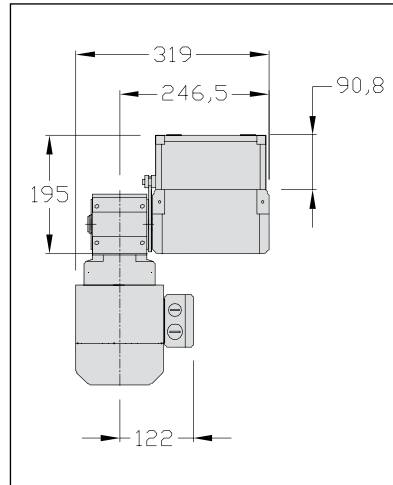


Maximum accumulation
maxi /6 m : 60 daN

Belt length in mm :

$L \text{ welded} = [(L-250) \times 2 + 733] \times 0,98$

Weight : 16,5 kg + 6,7 kg /m



Designation / Dimensions	Order unit	Reference
Direct conveying unit 200	1 pce	120.11.000.**
Conveying length	m	120.11.000.A
Antistatic set	1 pce	120.11.000.C

[** = speed of motor : 9 - 15 or 19 ex. : 120.11.000.09]

Width 200

Technical data

Mini length L = 500 mm

Maxi length L = 6 160 mm

For longer spans and according to the load, use several conveying units.


Conveying unit including :

- x 1 idling unit
- x 1 driving unit
 - Motor 240/400 V three-phase
 - 0,25 KW (9 m/min)
 - 0,37 KW (15 m/min)
 - 0,55 KW (19 m/min)
 - Speed : 9, 15 or 19 m/min

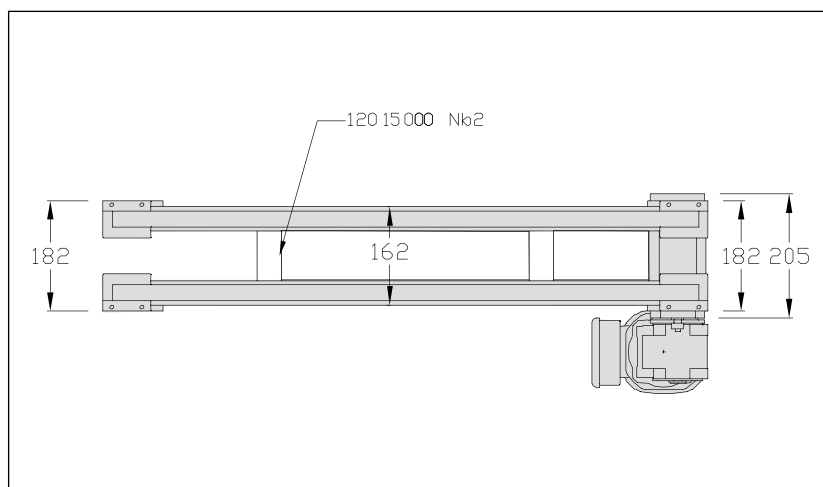
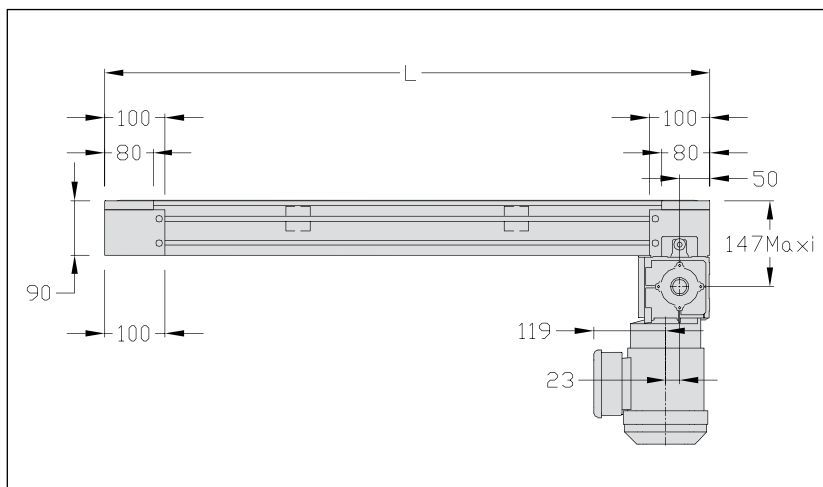
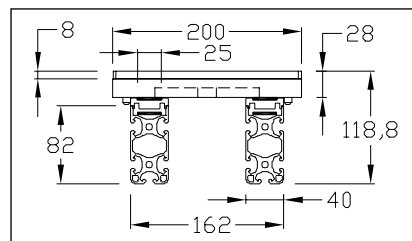
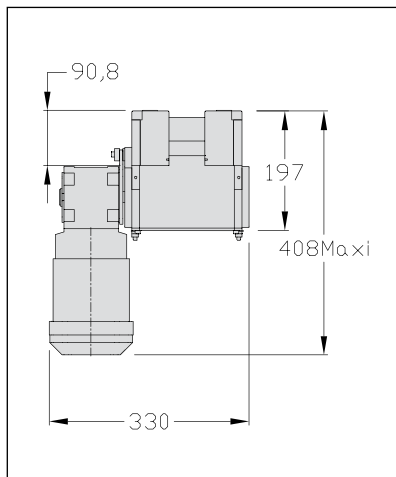
Conveyor length

- x 2 profiles 8 82x40, al anodized
- x 2 belt guides, PA black
- x 2 antistatic belts
 - width 25 mm, 5 mm step

Maximum load /6 m : 120 daN

 **Maximum accumulation**
maxi /6 m : 60 daN

Weight : 16,7 kg + 6,8 kg/m



Designation / Dimensions	Order unit	Reference
Light conveying unit 200 cc	1 pce	120.87.000.**
Conveying length cc	m	120.87.000.A

[** = speed of motor : 9 - 15 or 19 ex. : 120.87.000.09]

Width 200

Technical data

Mini length L = 500 mm

Maxi length L = 6 250 mm

For longer spans and according to the load, use several conveying units.

Conveying unit including :

x 1 idling unit

x 1 driving unit

Motor 240/400 V three-phase

0,55 KW

I : 1,6 Ampere

Speed : 14 m/min

Conveyor length

x 2 profiles 8 82x40, al anodized

x belt guides, PA black

x 2 antistatic belts

width 32 mm, 5 mm step

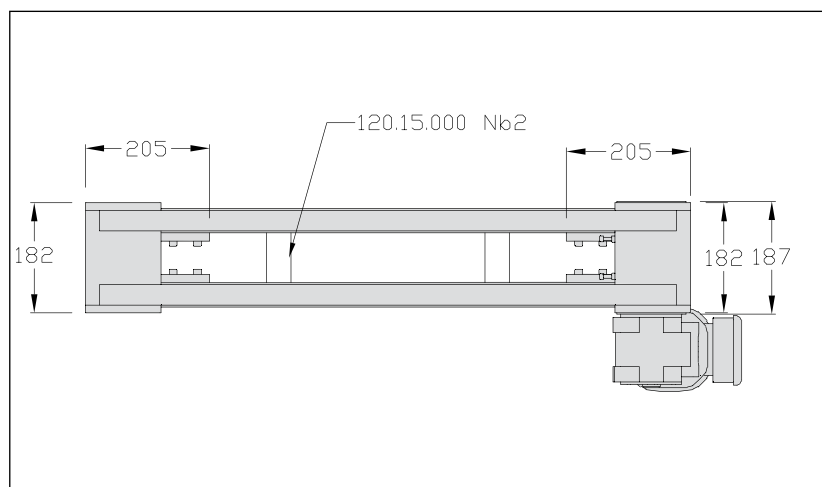
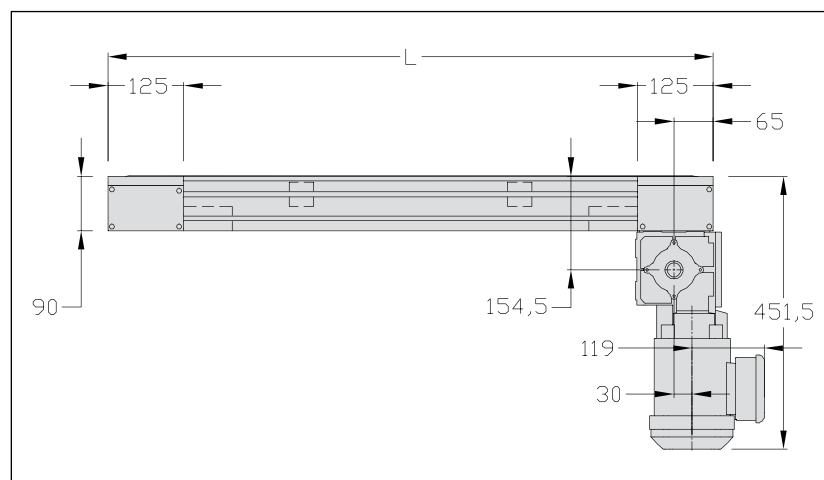
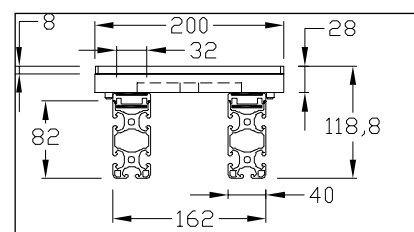
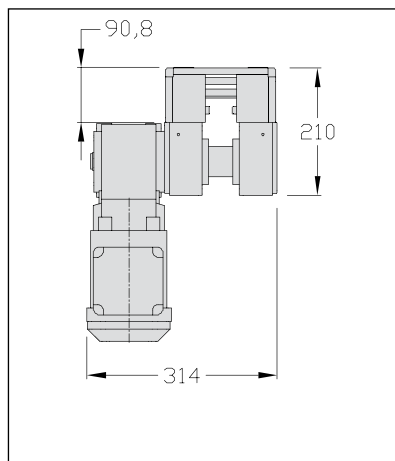
Maximum load /6 m : 300 daN



Maximum accumulation

maxi /6 m : 150 daN

Weight : 21,2 kg + 6,9 kg/m



Designation / Dimensions	Order unit	Reference
Heavy conveying unit 200 cc	1 pce	120.80.000.14
Conveying length cc	m	120.80.000.A

Cap 200

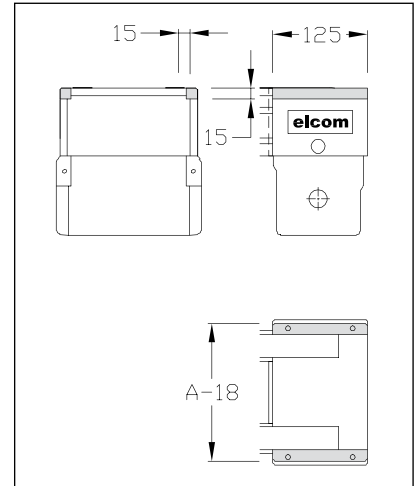
APPLICATIONS

Allows to close the direct driving unit and the idling unit.
When using cam, the opposite cap of this one is delivered with the set cam.
Also used for motorization 120.02.000.

Technical data

2 parts, PA black

Weight : 0,07 kg



Cap for light motorization timing belt

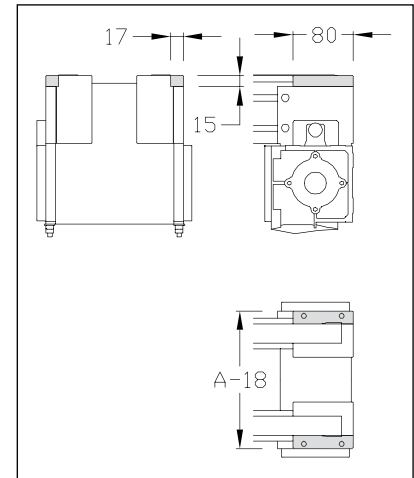
APPLICATIONS

Allows to close the light timing belt driving unit and the idling unit.
When using cam, the opposite cap of this one is delivered with the set cam.

Technical data

1 part and 1 symmetric part, PA black

Weight : 0,07 kg



Cap for heavy motorization timing belt

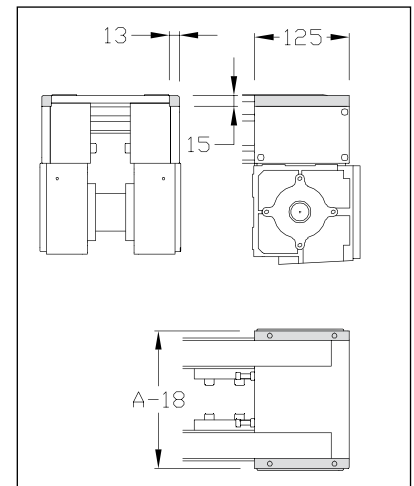
APPLICATIONS

Allows to close the heavy timing belt driving unit and the idling unit.
When using cam, the opposite cap of this one is delivered with the set cam.

Technical data

1 part and 1 symmetric part, PA black

Weight : 0,07 kg



Designation / Dimensions	Order unit	Reference
Cap 200	1 pce	120.11.100
Cap for light motorization cc	1 pce	120.87.100
Cap for heavy motorization cc	1 pce	120.80.100

Straight joining for direct driving unit

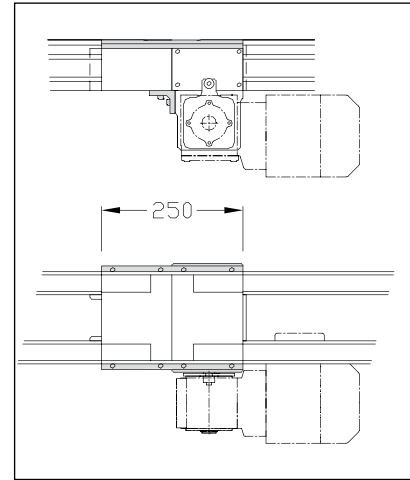
APPLICATIONS

Allows to join end to end two conveying units.

Technical data

- x Guide, PA black
- x Joining set alu

Weight : 0,2 kg



Straight joining for light motorization timing belt

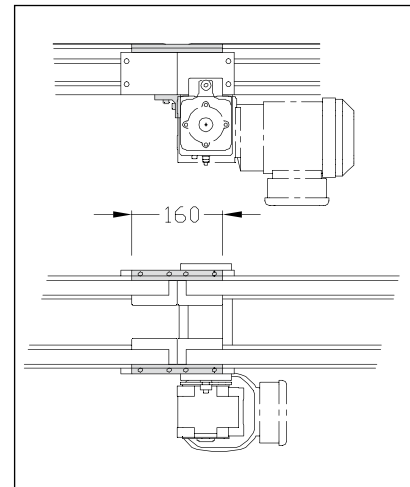
APPLICATIONS

Allows to join end to end two conveying units.

Technical data

- x Guide, PA black
- x Joining set alu

Weight : 0,18 kg



Straight joining for heavy motorization timing belt

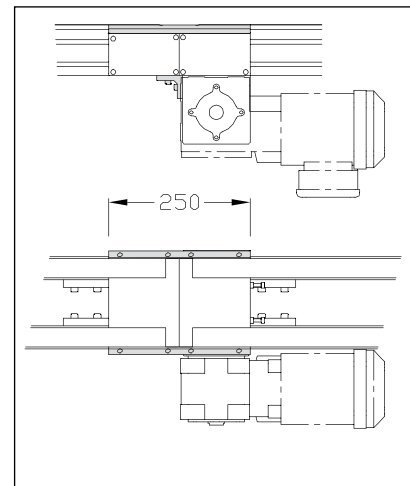
APPLICATIONS

Allows to join end to end two conveying units.

Technical data

- x Guide, PA black
- x Joining set alu

Weight : 0,2 kg



Designation / Dimensions	Order unit	Reference
Straight joining for direct driving unit	1 pce	120.18.000
Straight joining for light motorization cc	1 pce	120.89.000
Straight joining for heavy motorization cc	1 pce	120.82.000

Cams ED, EG, SD, SG for direct driving unit and motorizations with timing belt.

Allow a perpendicular transfer of workpiece carriers from one conveying unit to the other.

The workpiece carrier is guided by the two inside pins, the outside pins are retracted.

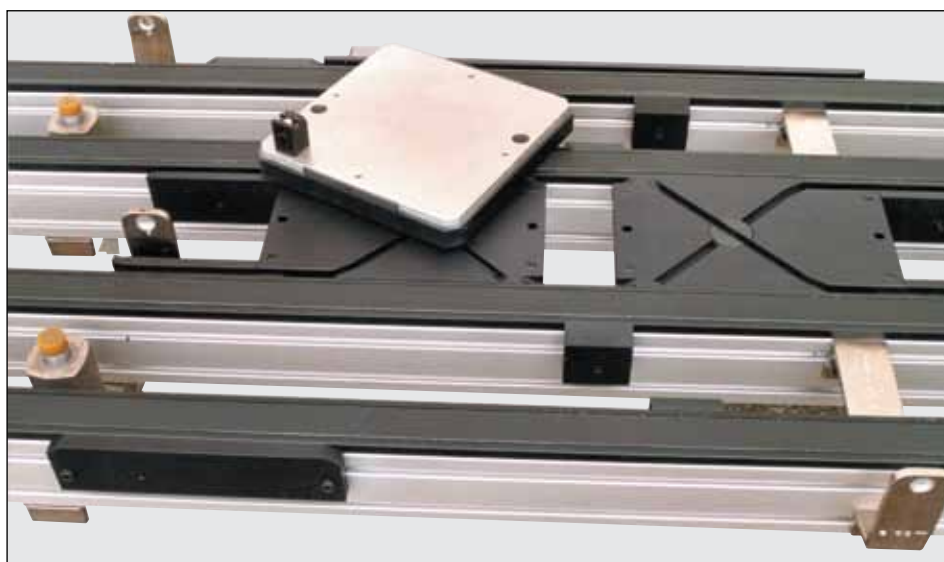
No automatism is required.

If a selection is necessary (derivation or not), add the derivation set (page 32 of general catalogue).

When using short cams see pages 26 and 28 of general catalogue.



Do not accumulate workpiece carriers in cams.



ED, EG Width 200

Technical data

Only used on the motorization part.
For the cams which are set on idling unit, use cams page 25 of general catalogue.

Complete set including :

- x Guiding cam and pin retracting plates, PA black
- x Fastening parts
- x Joining parts
- x Cap

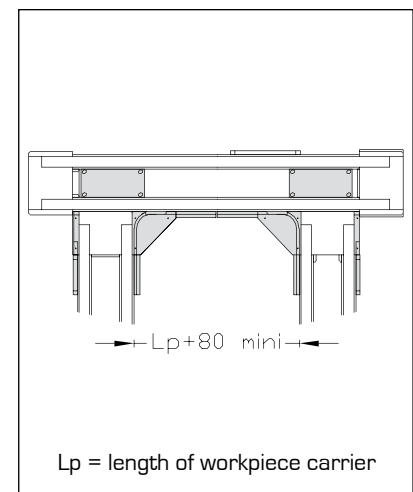
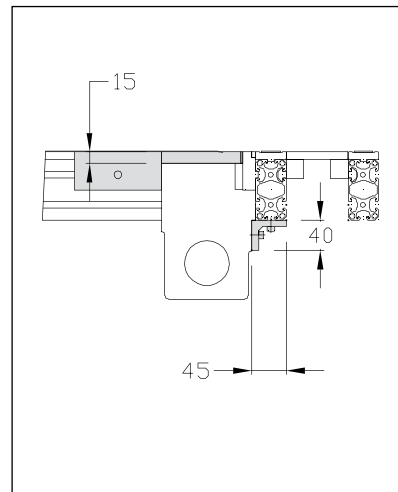
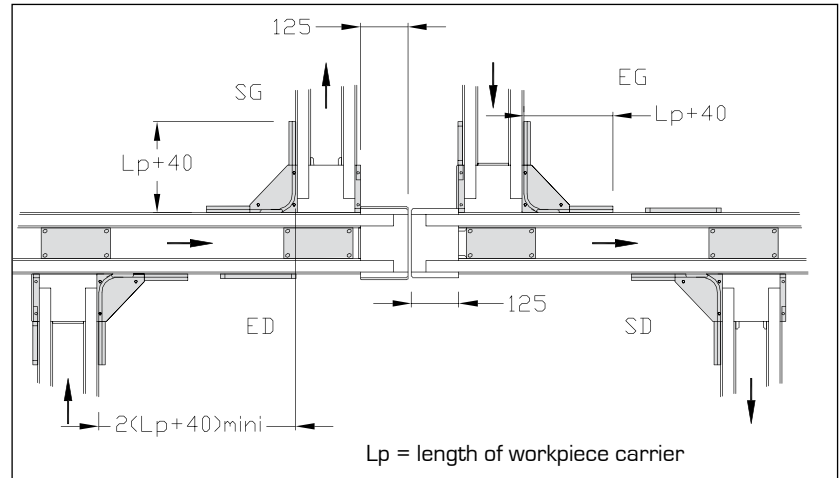
Cams 200 also allow the passage of workpiece carriers 200x250 and 200x300.

If a selection is necessary (derivation or not), add the derivation set (page 32 of general catalogue).



Do not accumulate workpiece carriers in cams.

Weight : 1 kg



Designation / Dimensions	Order unit	Reference
Cam ED 200 direct	1 set	120.06.000.SC
Cam EG 200 direct	1 set	120.16.000.SC
Cam SD 200	1 set	120.26.000
Cam SG 200	1 set	120.36.000

ED, EG, SD, SG Width 200

Technical data

Complete set including :

- x Guiding cam and pin retracting plates, PA black
- x Fastening parts
- x Joining parts
- x Cap

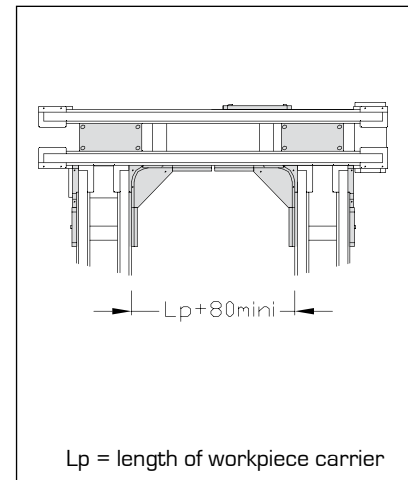
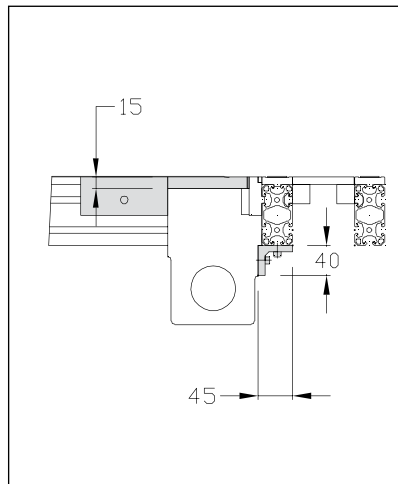
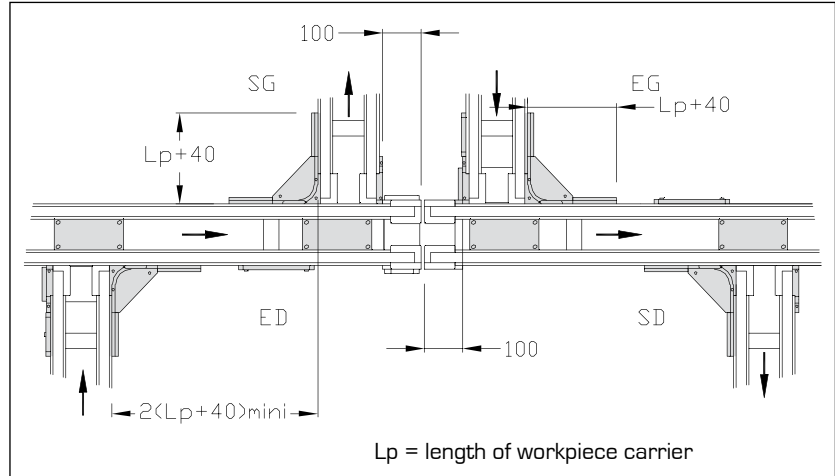
Cams 200 also allow the passage of workpiece carriers 200x250 and 200x300.

If a selection is necessary (derivation or not), add the derivation set (page 32 of general catalogue).



Do not accumulate workpiece carriers in cams.

Weight : 1 kg



Designation / Dimensions	Order unit	Reference
Cam ED 200 cc light motorization	1 pce	120.90.100
Cam EG 200 cc light motorization	1 pce	120.90.200
Cam SD 200 cc light motorization	1 pce	120.90.300
Cam SG 200 cc light motorization	1 pce	120.90.400

ED, EG, SD, SG Width 200

Technical data

Complete set including :

- x Guiding cam and pin retracting plates, PA black
- x Fastening parts
- x Joining parts
- x Cap

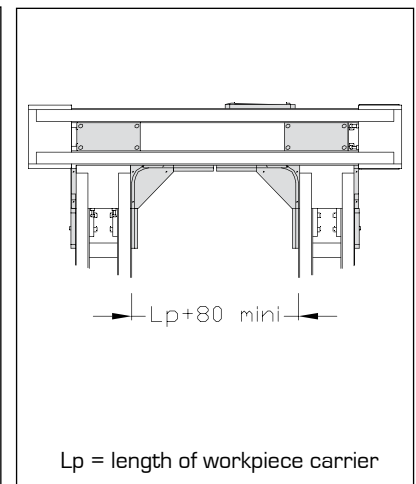
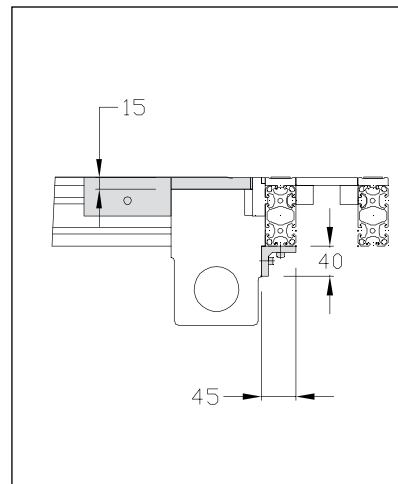
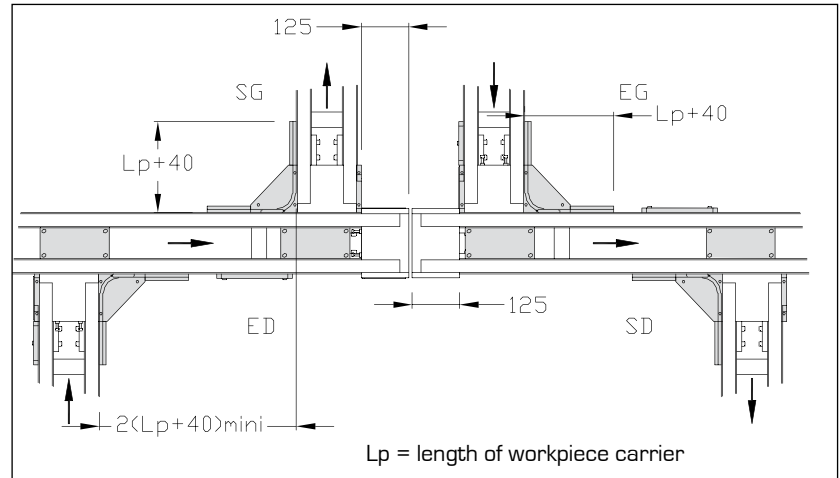
Cams 200 also allow the passage of workpiece carriers 200x250 and 200x300.

If a selection is necessary (derivation or not), add the derivation set (page 32 of general catalogue).



Do not accumulate workpiece carriers in cams.

Weight : 1 kg



Designation / Dimensions	Order unit	Reference
Cam ED 200 cc heavy motorization	1 pce	120.83.100
Cam EG 200 cc heavy motorization	1 pce	120.83.200
Cam SD 200 cc heavy motorization	1 pce	120.83.300
Cam SG 200 cc heavy motorization	1 pce	120.83.400

Width 200 - 300 - 400

APPLICATIONS

The use of workpiece carriers with shock absorbers (workpiece carriers T) limits the shock between the workpiece carriers and reduces the noise.

The use of shocks absorbers is only possible with unidirectional workpiece carriers.

Set up a stopper before every positioning unit.

A = 200 D = 120

A = 300 D = 220

A = 400 D = 320

Weight :

200x200 : 1,75 kg

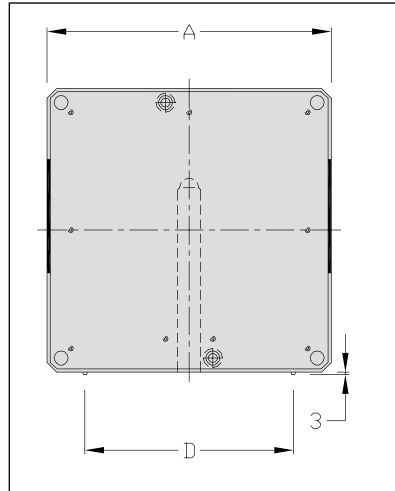
200x250 : 2,2 kg

200x300 : 2,6 kg

300x300 : 3,1 kg

300x400 : 4,1 kg

400x400 : 5,4 kg



Designation / Dimensions	Order unit	Reference
Workpiece carrier U 200x200 T	1 pce	120.61.000.T
Workpiece carrier U 200x250 T	1 pce	125.62.000.T
Workpiece carrier U 200x300 T	1 pce	123.62.000.T
Workpiece carrier U 300x300 T	1 pce	130.61.000.T
Workpiece carrier U 300x400 T	1 pce	134.62.000.T
Workpiece carrier U 400x400 T	1 pce	140.61.000.T

They allow to reduce the shock of the workpiece carrier on the stoppers or on positioning unit stoppers.

Stopper rod moves in contact with the workpiece carrier and a shock absorber neutralizes the kinetic energy of workpiece carrier.

The stop position depends on the load on the workpiece carrier or the number of workpiece carriers.

On the positioning units, a cam repositions the workpiece carrier at the time of rising of positioning unit.

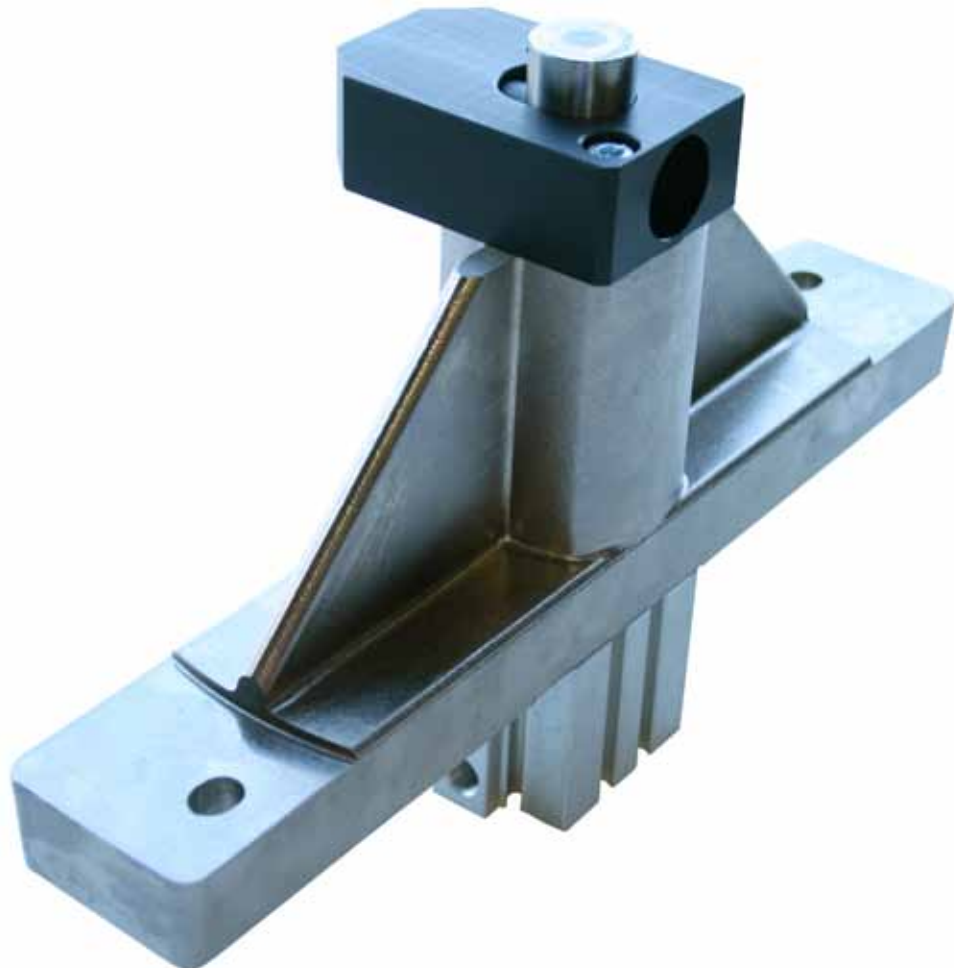
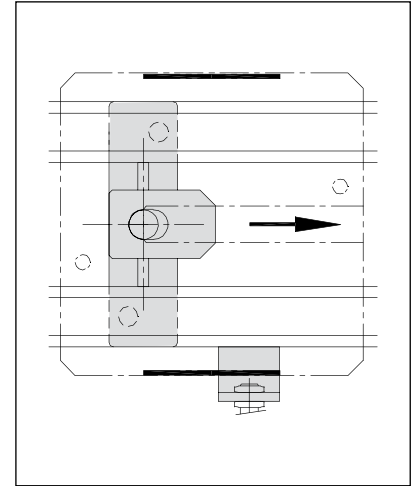
The maximum load on a stopper for an optimum damping is 20 kg.

Concerning the positioning units, an up stream stopper is required.

All stoppers have springs which enable to maintain stopper rod in high position in case of emergency stop.

Preferably use workpiece carriers with shock absorbers.

Possibility to adapt this system on multi-positioning units.



Width 200 - 300 - 400

Technical data

x Stopper rod, steel

Complete set with double effect cylinder diam. 32, detectable positions.

Bracket for shielded mounting sensor M12x100

Detection range : 4 mm

Maximum load : 20 daN



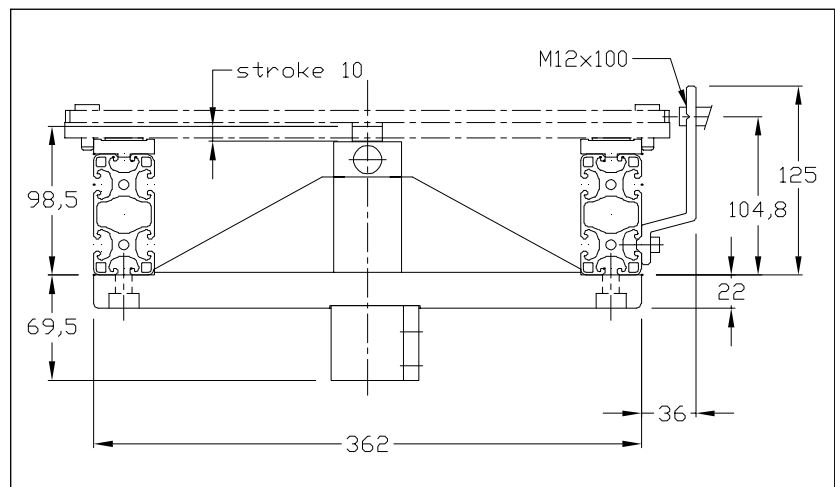
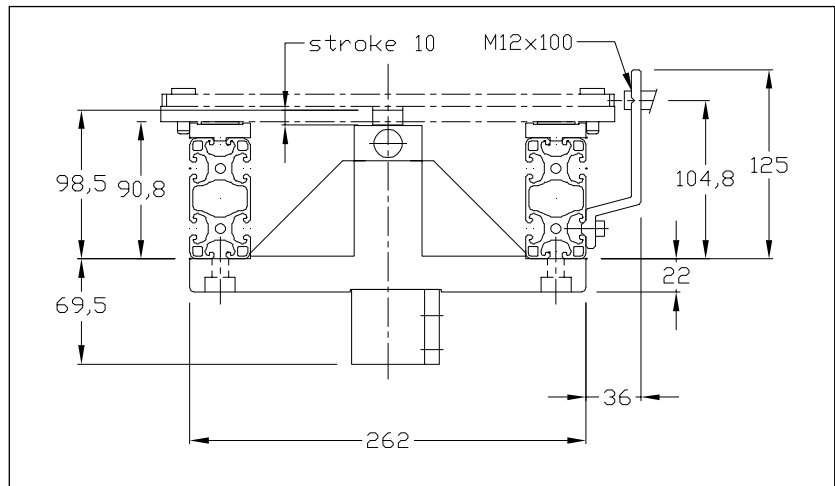
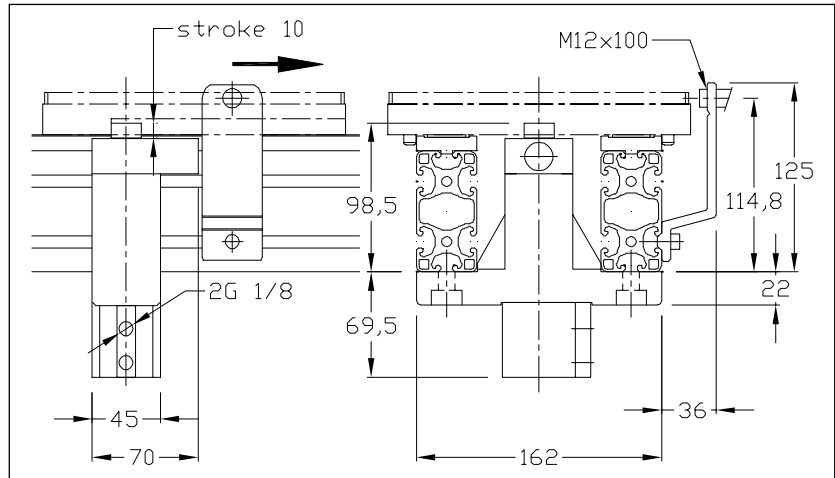
Flow rate controller G 1/8 should be adapted

Weight :

200 : 1,4 kg

300 : 1,8 kg

400 : 2,1 kg



Designation / Dimensions	Order unit	Reference
Stopper 200 dumped	1 pce	120.65.000.RA
Stopper 300 dumped	1 pce	130.65.000.RA
Stopper 400 dumped	1 pce	140.65.000.RA

Low positioning units dumped

Positioning units

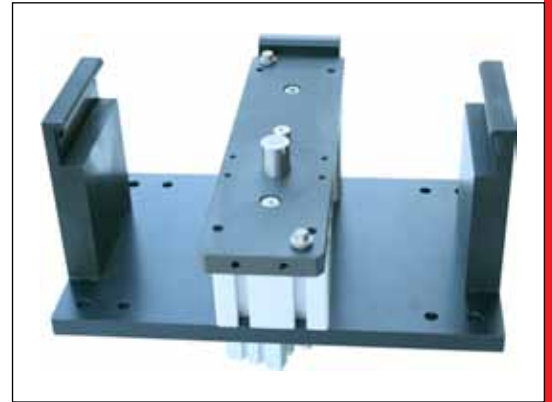
The positioning unit is directly fitted on the conveying units.
An up stream stopper is required.

Positioning units for station

They are fixed to a table or a frame to ensure accuracy with the other surrounding elements.
An up stream stopper is required.

Heavy positioning units

For operations requiring accuracy and involving important strain (up to 1500 daN) at the center of workpiece carrier. The positioning unit must be fixed on a frame capable of supporting the strain applied. An up stream stopper is required.



Lift positioning units dumped

Lift positioning units

Stop and positioning of workpiece carriers at an important height above the conveyor.

The workpiece carrier is stopped, then elevated to a specific height, while being held by two centering pieces.

An up stream stopper is required.



Bridge positioning units dumped

Bridge positioning units

Allow to rise a workpiece carrier in a station and to another workpiece carrier can flow below.

Particularly suitable at the checkpoint.

Positioning accuracy +/- 1 mm.

A refocusing of workpiece carrier is required for operations which need an important accuracy.

An up stream stopper is required.



Width 200 - 300 - 400

Technical data

Complete set with :

- x stopper
- x 1 double effect cylinder diam. 32 (stopper)
- x 1 double effect cylinder diam. 50 (positioning unit)
- x detectable positions
- x holes for shielding mounting sensor M12x100, detection range : 4 mm



Flow rate controller G 1/8 should be adapted

Maximum vertical strain : 100 daN for a pressure of 6 bars at the center of workpiece carrier.

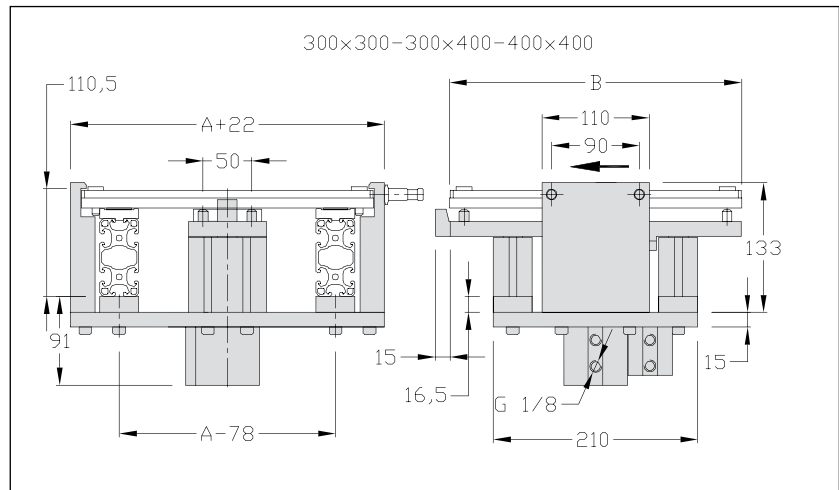
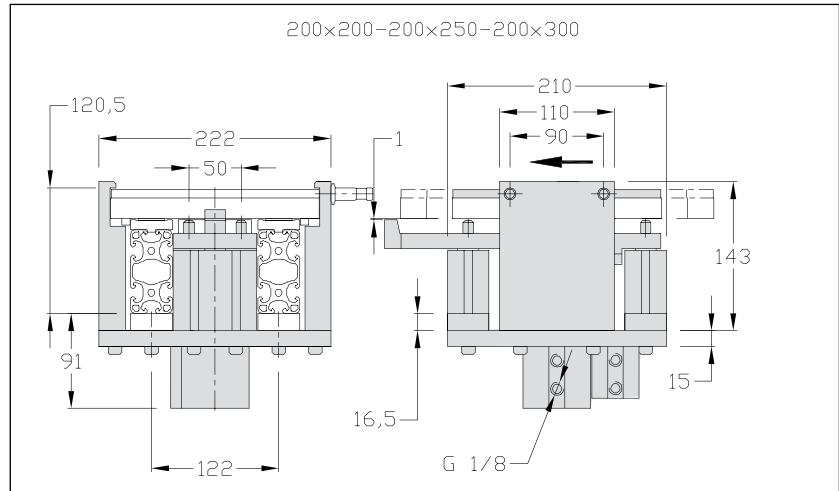
Repeatability : +/- 0.03 mm.

Weight :

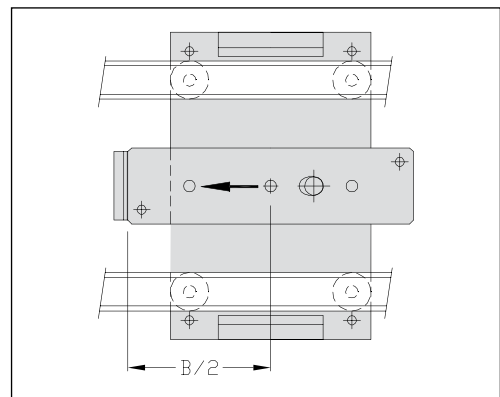
200 : 8,7 kg

300 : 10,5 kg

400 : 12,2 kg



A = width of workpiece carrier
B = length of workpiece carrier



Designation / Dimensions	Order unit	Reference
Positioning unit 200 dumped	1 pce	120.64.000.RA
Positioning unit 200x250 dumped	1 pce	125.64.000.RA
Positioning unit 200x300 dumped	1 pce	123.64.000.RA
Positioning unit 300 dumped	1 pce	130.64.000.RA
Positioning unit 300x400 dumped	1 pce	134.64.000.RA
Positioning unit 400 dumped	1 pce	140.64.000.RA

Width 200 - 300 - 400

Technical data

Complete set including :

- x stopper
- x 1 double effect cylinder diam. 32 (stopper)
- x 1 double effect cylinder diam. 50 (positioning unit)
- x holes for 2 inductive sensors M12x100, detection range : 4 mm
- x 4 supports in profile 8 40x40
- x Fastening parts



Flow rate controller G 1/8 should be adapted

Maximum vertical strain : 100 daN for a pressure of 6 bars at the center of workpiece carrier.

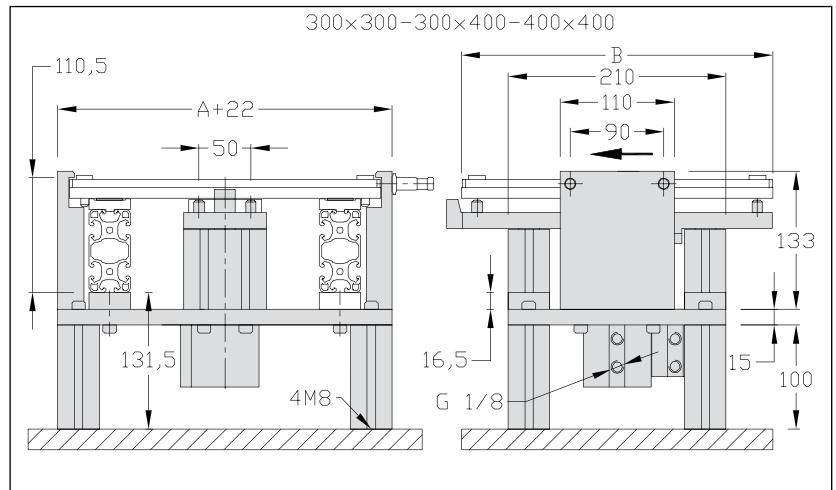
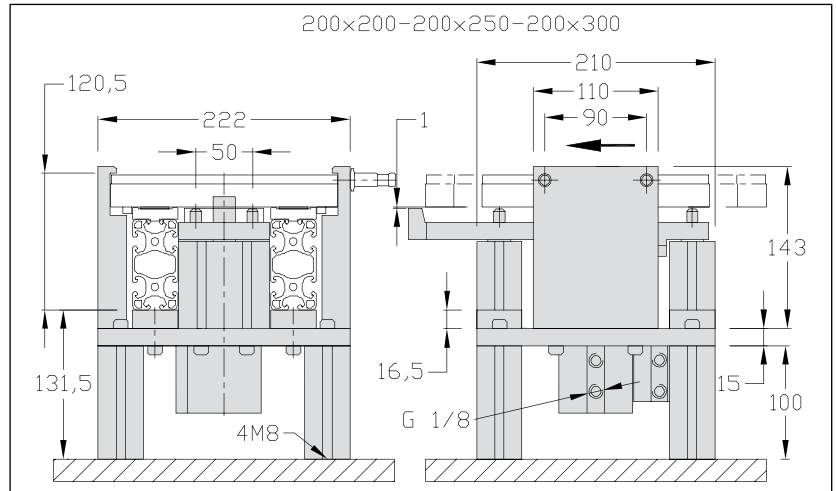
Repeatability : +/- 0,03 mm

Weight :

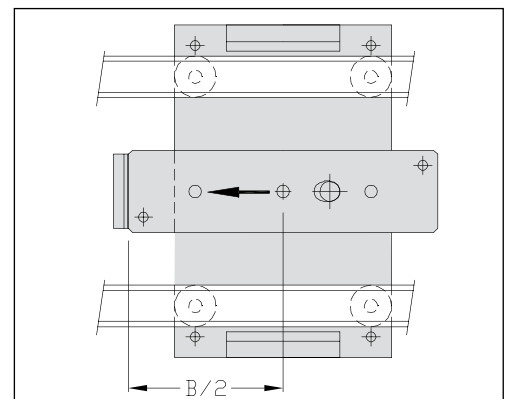
200 : 10,2 kg

300 : 11,2 kg

400 : 13 kg



A = width of workpiece carrier
B = length of workpiece carrier




Designation / Dimensions	Order unit	Reference
Positioning unit for station 200 dumped	1 pce	120.69.000.RA
Positioning unit for station 200x250 dumped	1 pce	125.69.000.RA
Positioning unit for station 200x300 dumped	1 pce	123.69.000.RA
Positioning unit for station 300 dumped	1 pce	130.69.000.RA
Positioning unit for station 300x400 dumped	1 pce	134.69.000.RA
Positioning unit for station 400 dumped	1 pce	140.69.000.RA

Width 200 - 300 - 400

Technical data

Complete set with :

- x stopper
- x 2 pneumatic cylinders, detectable positions
- x profile stands 8 40x40
- x fastenings parts
- x holes for 2 inductive sensors
M12x100, detection range : 4 mm

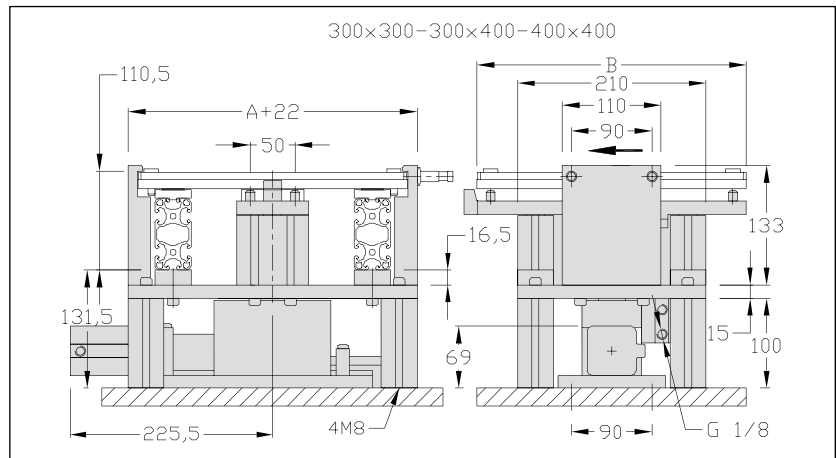
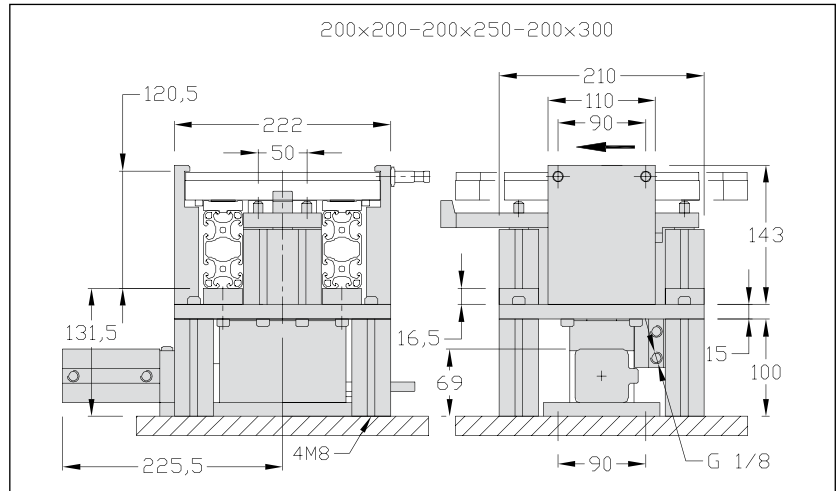
 **Flow rate controller G 1/8 should be adapted**

Maximum vertical strain : 1500 daN
at the center of workpiece carrier
(60x60 mm)

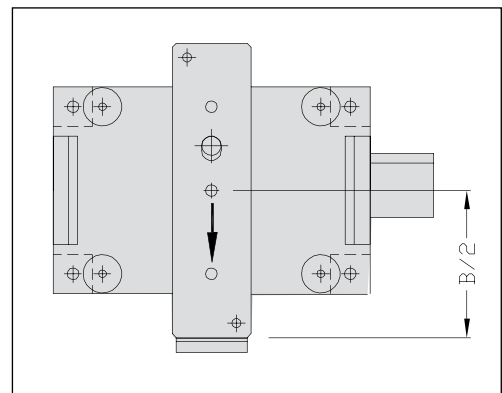
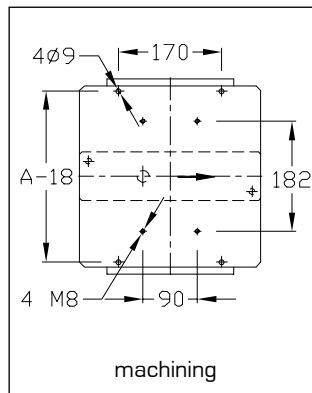
Repeatability : +/- 0,03 mm

Weight :

- 200 : 18,3 kg
- 300 : 19,6 kg
- 400 : 21,8 kg



A = width of workpiece carrier B = length of workpiece carrier



Designation / Dimensions	Order unit	Reference
Heavy positioning unit 200 dumped	1 pce	120.68.000.RA
Heavy positioning unit 200x250 dumped	1 pce	125.68.000.RA
Heavy positioning unit 200x300 dumped	1 pce	123.68.000.RA
Heavy positioning unit 300 dumped	1 pce	130.68.000.RA
Heavy positioning unit 300x400 dumped	1 pce	134.68.000.RA
Heavy positioning unit 400 dumped	1 pce	140.68.000.RA

Width 200 - 300 - 400

Technical data

Complete set with :

- x stopper and positioning unit
- x ball bearing guide bush diam. 25
- x 1 double effect cylinder diam. 32 (stopper)
- x 1 double effect cylinder diam. 50 (positioning unit), detectable positions
- x spacers
- x fastening parts
- x 2 brackets for shielded mounting sensors M12x100, detection range : 4 mm



Flow rate controller G 1/4 should be adapted

A stopper situated before lift is generally required to avoid the arrival of another workpiece carrier during lifting.

Cylinder strokes available :

50 - 80 - 100 - 125 - 160 - 200 - 250 - 300 - 320 - 400 mm

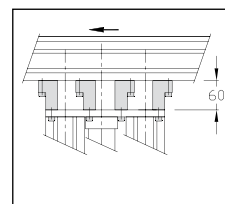
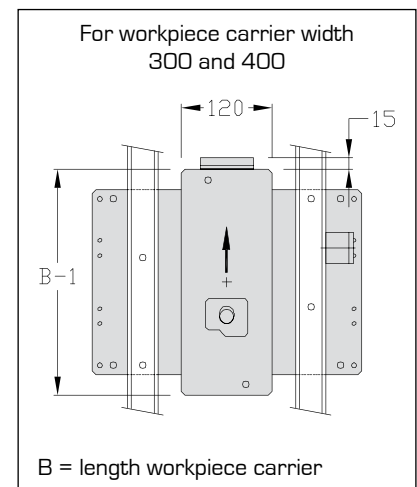
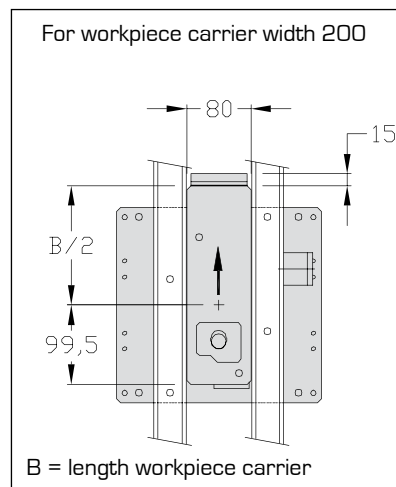
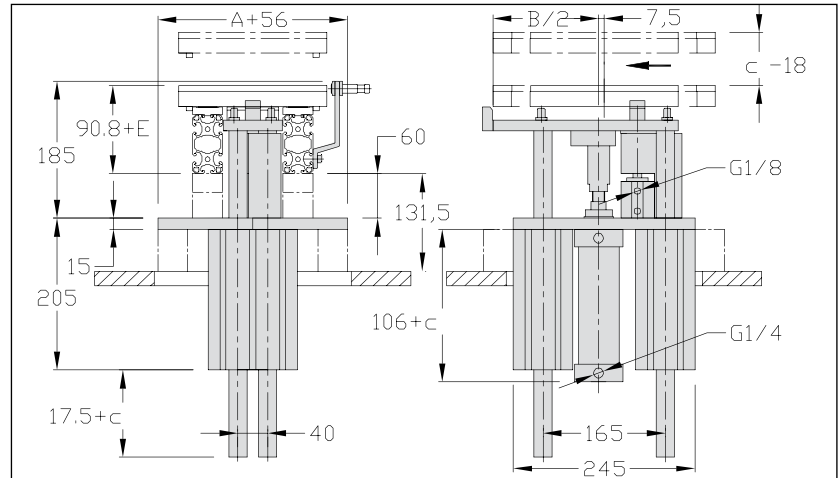
Maximum vertical strain : 100 daN at the center of workpiece carrier
Repeatability : +/- 0,06 mm

Weight :

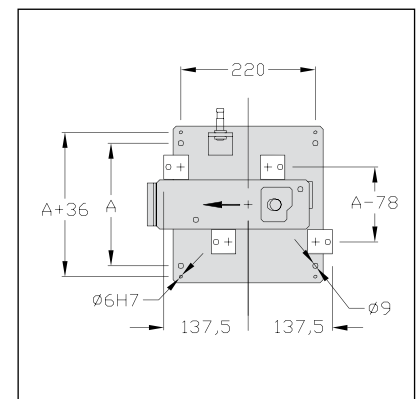
200 : 10,7 kg

300 : 19,7 kg

400 : 22,6 kg



Fastening set
120.67.000



Designation / Dimensions	Order unit	Reference
Lift positioning unit 200 dumped	1 pce	120.66.000.RA
Lift positioning unit 200x250 dumped	1 pce	125.66.000.RA
Lift positioning unit 200x300 dumped	1 pce	123.66.000.RA
Lift positioning unit 300 dumped	1 pce	130.66.000.RA
Lift positioning unit 300x400 dumped	1 pce	134.66.000.RA
Lift positioning unit 400 dumped	1 pce	140.66.000.RA

Width 200

Technical data

Complete set with :

- x stopper and positioning unit
- x ball bearing guide bush diam. 25
- x 1 double effect cylinder diam. 32 (stopper)
- x 1 double effect cylinder diam. 50 (positioning unit), detectable positions
- x 2 brackets for shielded mounting sensors M12x100, detection range : 4 mm



Flow rate controller G 1/4 should be adapted

A stopper situated before lift is generally required to avoid the arrival of another workpiece carrier during lifting.

Cylinder strokes available :

100 - 125 - 160 - 200 - 250 mm

Maximum vertical strain : 60 daN at the center of workpiece carrier

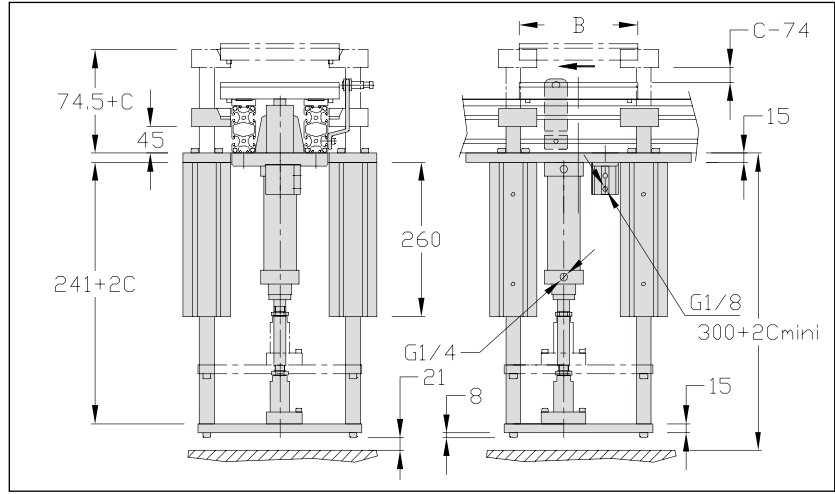
Repeatability : +/- 1 mm

Weight :

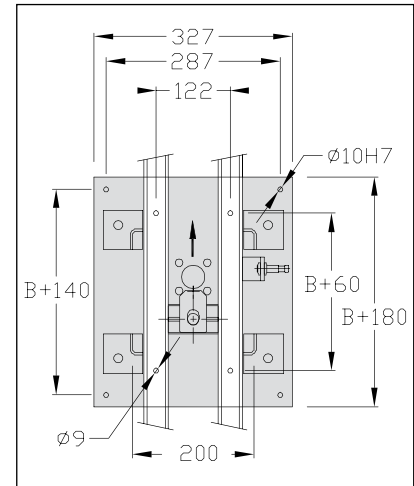
200x200 : 30 kg

200x250 : 31,5 kg

200x300 : 33 kg

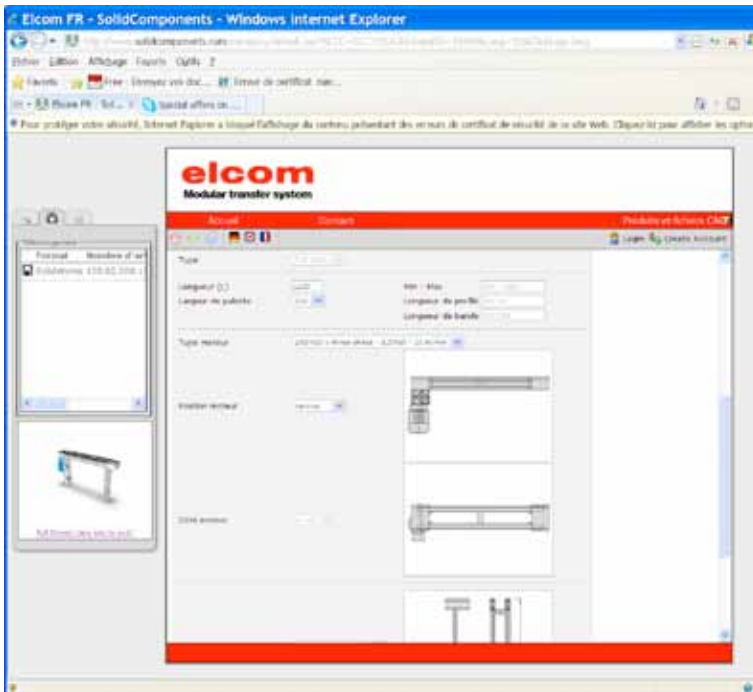


B = length of workpiece carrier



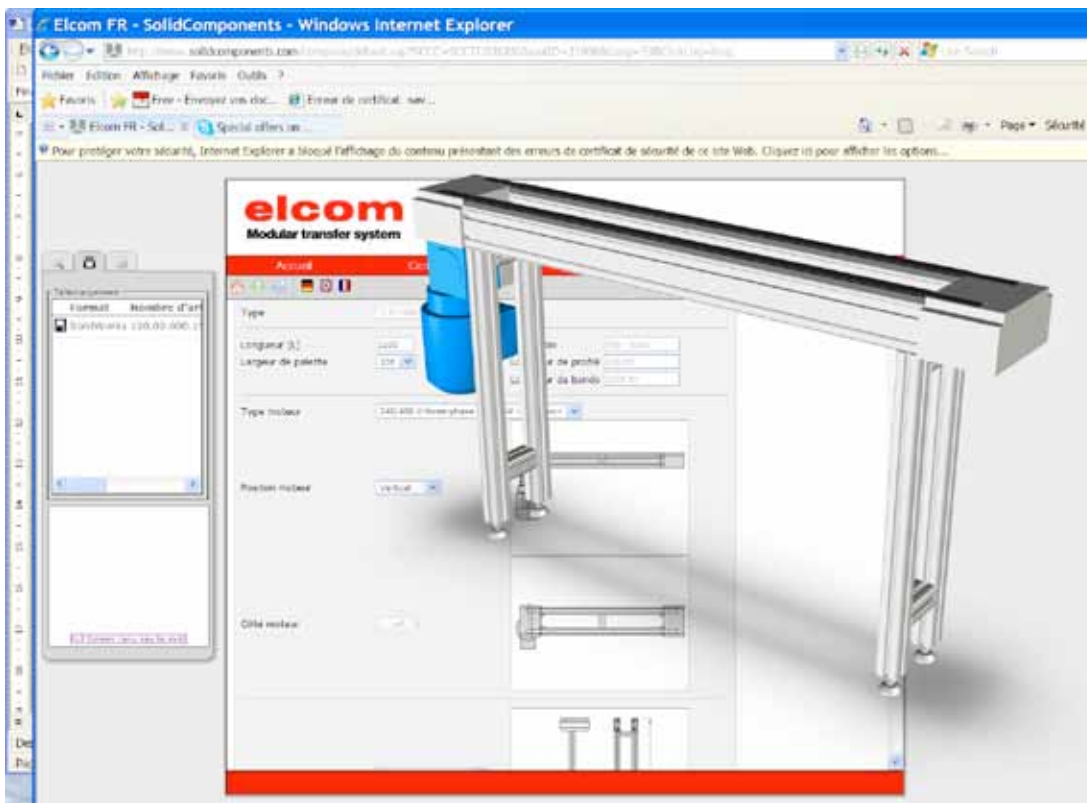
Designation / Dimensions	Order unit	Référence
Bridge positioning unit 200	1 pce	120.71.000
Bridge positioning unit 200 spring	1 pce	120.71.000.R
Bridge positioning unit 200 dumped	1 pce	120.71.000.RA
Bridge positioning unit 200x250	1 pce	125.71.000
Bridge positioning unit 200x250 spring	1 pce	125.71.000.R
Bridge positioning unit 200x250 dumped	1 pce	125.71.000.RA
Bridge positioning unit 200x300	1 pce	123.71.000
Bridge positioning unit 200x300 spring	1 pce	123.71.000.R
Bridge positioning unit 200x300 dumped	1 pce	123.71.000.RA

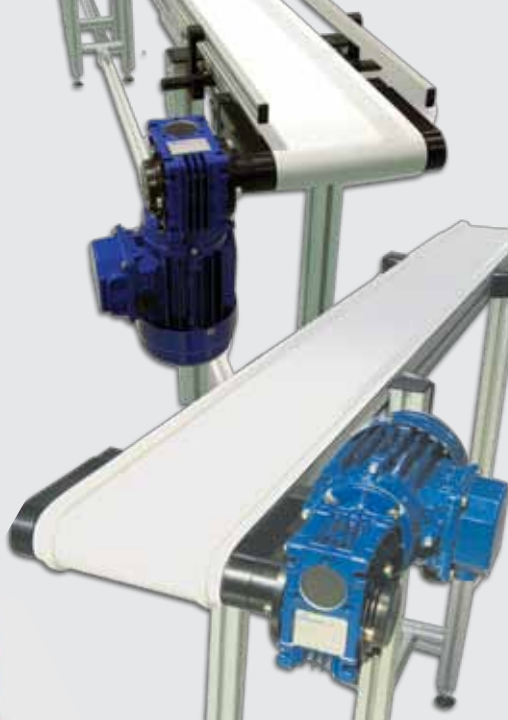
Our website www.elcom.fr offers the possibility of configuring yourself on-line the transfer corresponding to your needs.



Download the requested solutions in CAD 2D-3D format.

All CAD 2D-3D files are downloadable from our website.



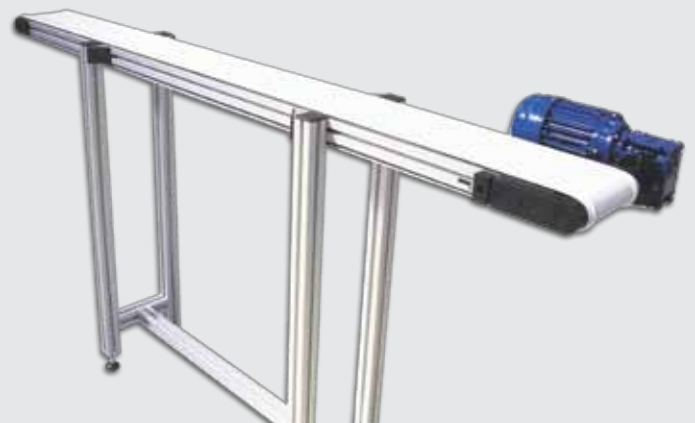


A complete range :

- central drive
- end drive
- below drive
- single belt
- double belt
- flat belt
- timing belt
- cleated belts
- timing belt with support of parts

Width 20 to 1000 mm.

Possible adaptation on request.



elcom's flat belt conveyor design, constructed from item's range of profiles, **enables a great modularity**. The perfect complementarity between flat belt conveyors, profiles and transfer system will facilitate the realization of your ideas.

Lean Manufacturing is a method of continuous improvement which aimed at reducing costs and production times, while improving product quality and safety of employees.

To achieve these objectives, a **Lean Manufacturing** approach consists in reduce or **eliminate the wastings, the rigidities and the variabilities** in order to concentrate on the activity of the company : **create value**.

The integration of conveyors in the production system allows, among other things, of :

- x reduce waiting times between various stages of the manufacturing process
- x simplify and secure the transport of materials, components, finished products
- x eliminate useless operations
- x control the stocks
- x decrease the movements and displacements of employees without added value
- x increase the level of product quality

The **elcom system concept**, arisen from the will of **elcom** to fight against the risks of musculoskeletal disorders (MSD), is an innovative concept combining all of our technologies : from work benches to modular transfer systems, via lifting boxes or modular elements such as line D30.

The modular transfer systems join perfectly into the **elcom system concept** which offers a complete, personalized, flexible and ready to use solution.



The integration of transfers, combined with our modular elements, in the environment and the production flow will enable to eliminate numerous wastings, reduce the risks of musculoskeletal MSD and improve the well-being of your employees at work.



Modular elements for industrialization

elcom

LA LIBERTÉ DE CONCEVOIR

www.elcom.fr

HEAD-OFFICE / PLANTS

1 rue Isaac Asimov
ZAC de la Maladière
38300 BOURGOIN-JALLIEU
Tél. : (+33) 4 74 43 99 61
Fax : (+33) 4 74 28 59 02
e-mail : elcom@elcom.fr

2ND ESTABLISHMENT / PLANT

6 rue Théodule Villeret
Z.A.E. St-Leu
95130 LE PLESSIS-BOUCHARD
Tél. : (+33) 1 34 44 23 00
Fax : (+33) 1 34 44 23 09
elcomparis@elcom.fr

ELCOM WORLDWILDE

Europe	North America
Scandinavia	South America
Australia	Asia

www.elcom.fr