

**AluFlexGroup**

YOUR PARTNER IN AUTOMATION SOLUTIONS

AluFlex AB | İtem profilli oy | LinearModul A/S | AluFlex System AS

# Timing belt conveyor

High speed / High load





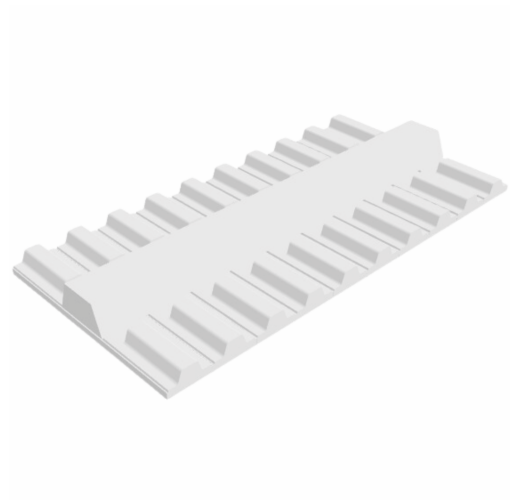
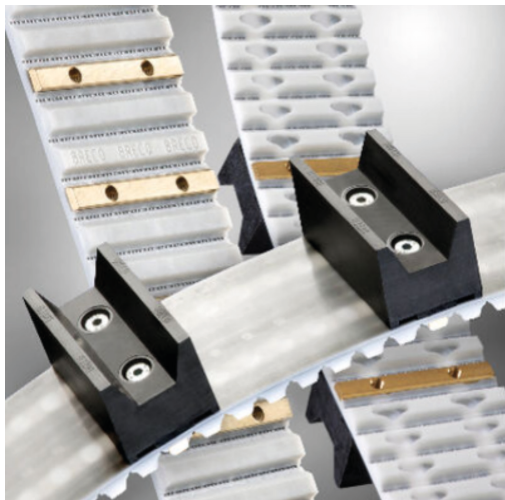
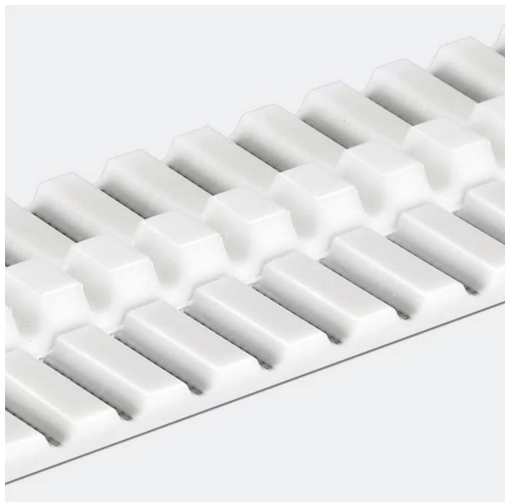
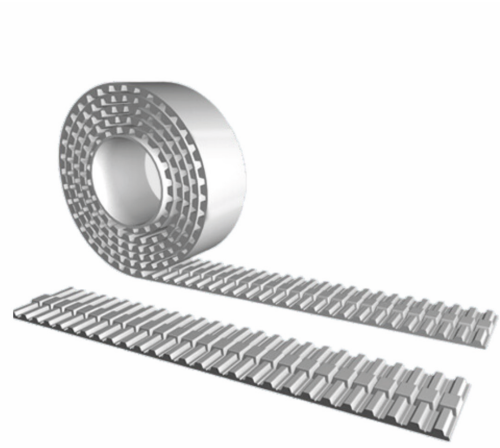
## Timing belt conveyor with high speed

A timing belt conveyor with high speed is a type of conveyor belt that uses a toothed belt to move products or materials at a faster rate than a standard toothed belt conveyor.

High-speed toothed belt conveyors are designed to transport products or materials quickly and efficiently, making them ideal for use in high-volume manufacturing or packaging applications.

One of the benefits of our high-speed toothed belt conveyors is that they can move products or materials at speeds of up to 200 meters per minute, which is much faster than a standard conveyor belt. Additionally, high-speed toothed belt conveyors are highly customizable and can be designed to fit into tight spaces or to transport products or materials up steep inclines.

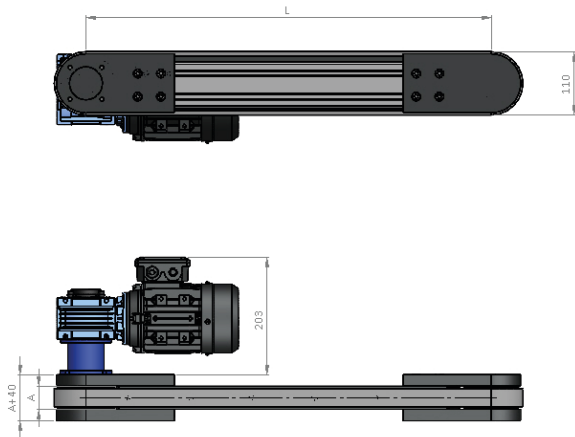
Overall, our toothed belt conveyors are a reliable and efficient way to transport products or materials in a variety of industrial settings.



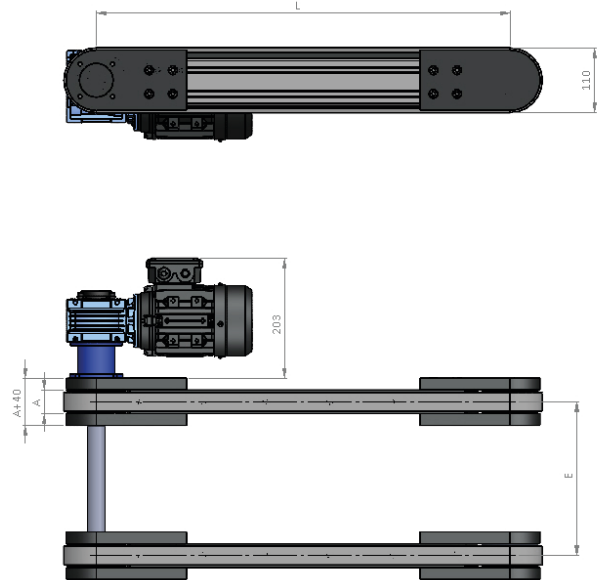
## Single and double

You will find options for single and double motors down below.

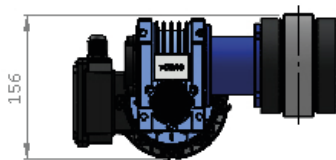
**Single**



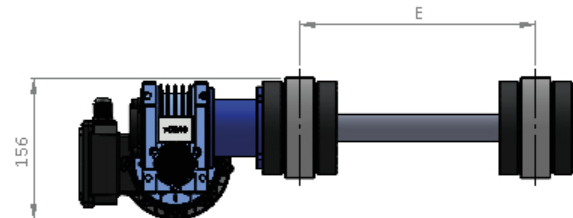
**Double**



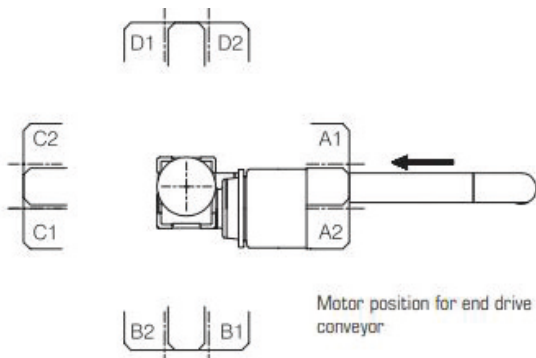
**Asynchronous motor 230/400V**



**Asynchronous motor 230/400V**

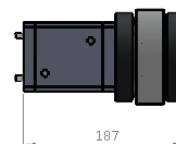


**Motor position**



Motor position for end drive conveyor

**Flange Servo motor**



## Technical data

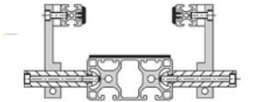
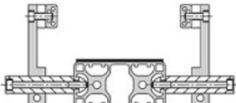


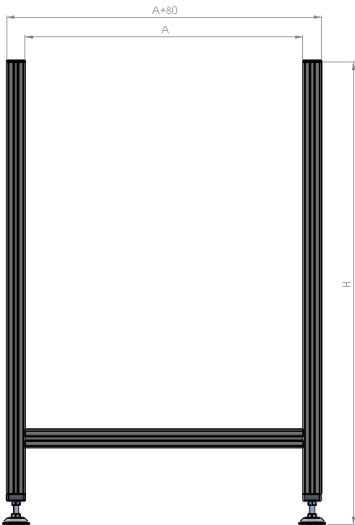
You will find all the technical data to the toothed conveyor belt down below.

Timing belt conveyor high speed - BCSC090	
Max. load capacity	0-400 kg
Ambient temperature	0 to +40 °C
Conveyor length	300-6000 mm
Motor	Asynchronous 230/400V, 50Hz or Servo motor
Pulley diameter	101,8 mm
Pulley material	Aluminium anodized
Protection rate motor	IP55
Cable	Delivered without motor cable
Motor side	Right/Left
Speed	10-200 m/min
Belt types	Timing belt TK10 K13 32mm Timing belt TK10 K13 72 mm Timing belt TK10 K13 100 mm
Belt width	32mm/72mm/100mm
Conveyor Set-up	Singel or up to 12 in a row

Dimensions	
A	40/80/120
L	300-6000
LH	L+300
E	120-2000

## Accessories

Down below you will find our accessories to the timing conveyor belt.

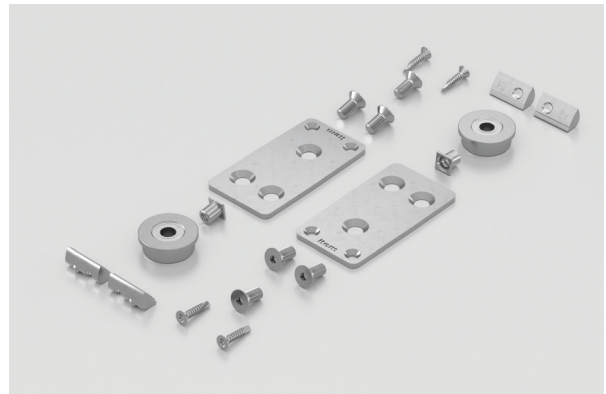
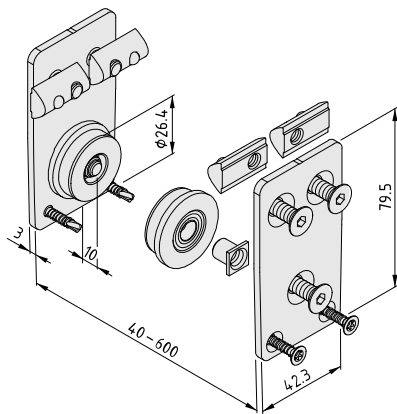
Lateral guide adjustable 0-6000 mm	Type	Ref. No.
	Type A	Ckit00002-A
	Type B	Ckit00002-B
	Type C	Ckit00002-C
	Type D	Ckit00002-D
Floor stand	A (mm)	H
	Conveyor width	According to request

## Accessories

Down below you will find our accessories to the timing conveyor belt.

### Belt Support Set

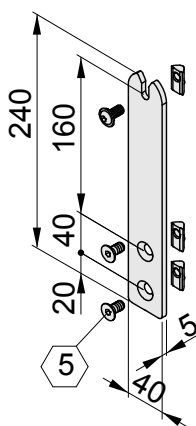
0.0.709.55



© item Industrietechnik GmbH

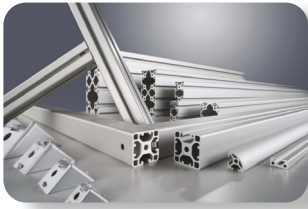
### Bracket adjustable

0.0.716.39



© item Industrietechnik GmbH

# Your Partner in Automation Solutions



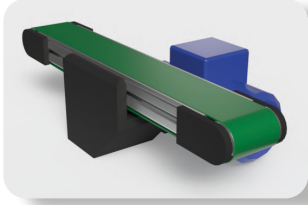
Item Aluminium Profiles



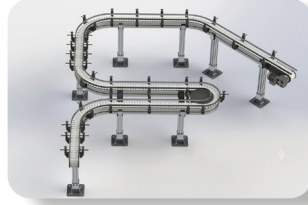
D30 Tube System



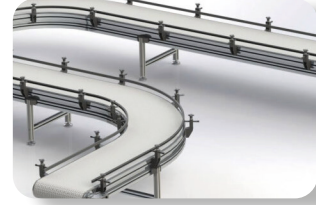
Work Bench System



Conveyor Belt System



Chain Conveyors



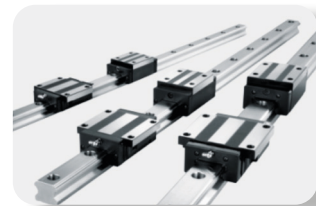
Modular Belt Conveyors



Pallet Conveyors



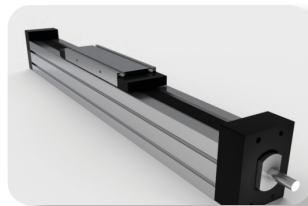
Ball Bushings



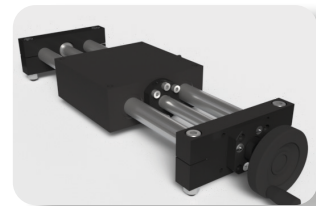
Linear Guides



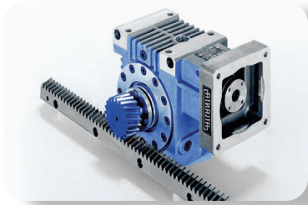
Ball Screws



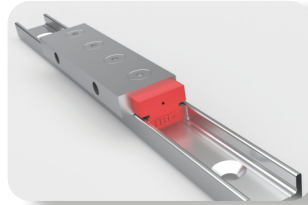
Linear Modules



Adjustment Modules



Rack and Pinion



Compact Rail



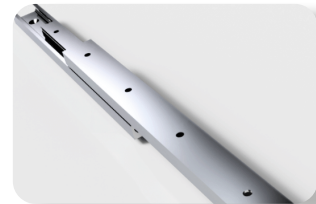
FlexFit



Complete Mechanical Solutions



Light Telescopic Rail



Heavy Telescopic Rail

**AluFlexGroup**  
YOUR PARTNER IN AUTOMATION SOLUTIONS

AluFlex AB | item profiili oy | LinearModul A/S | AluFlex System AS

 **AluFlex AB**  
Kanongatan 84  
254 67 Helsingborg  
Tel +46 42 38 02 30  
orders@aluflex.se  
www.aluflex.se

 **LinearModul A/S**  
Sivlandvaenget 13B  
5260 Odense S  
Tel +45 65 91 72 10  
orders@linearmodul.dk  
www.linearmodul.dk

 **AluFlex System AS**  
Energivegen 14  
Postboks 428 2051 Jessheim  
Tel: +47 63 94 49 20  
orders@aluflex.no  
www.aluflex.no

 **item profiili oy**  
Lyhtykuja 6  
00750 Helsinki, Finland  
Puh: +358 9 854 56 50  
orders@itemprofiili.fi  
www.itemprofiili.fi