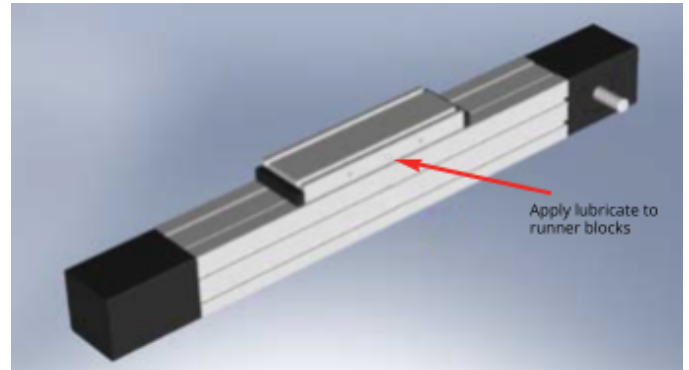
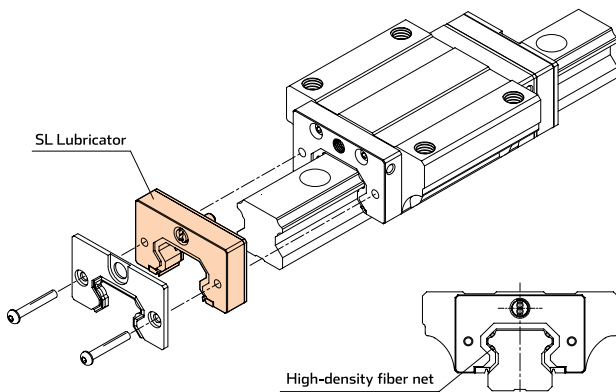


Lubrication instructions: Linear modules with belt drive



Maintenance

Maintenance for the belt modules generally applies solely to the rail guide. This is lubricated separately, giving you optimum control and ensuring that the correct amount of grease enters the rail guide. The rail guide carriage is fitted with the SL lubrication element.



The SL lubrication unit functions as a lubricant deposit and delivers long lubrication intervals. We recommend the following servicing- and lubrication advice.

Servicing

Servicing applies to lubrication of the rail guide carriage. Lubricate the rail guide carriage by first placing the table section at the yellow cover plug on the side of the module.

Removing the cover plug reveals the grease nipple inside the travelling carriage. Lubricate the travelling carriage through one of the grease nipples in the table section. Use ball bearing grease as lubricant. The standard grease is lithium based.

Keep in mind that it must not contain graphite or molybdenum disulphide.

Lubrication interval for rail guide

The table below shows the recommended lubrication interval for AluFlex® linear modules.

Temperature	10-40 °C	
Speed	up to 1 m/s	up to 3 m/s
Linearmodule	Load	Load
LM3ZR	up to 15 kg	over 15 kg
LM4ZR	up to 60 kg	over 60 kg
LM5ZR	up to 100 kg	over 100 kg
Lubrication interval every	20,000 km	10,000 km

Amount of lubricant for rail guide

The amount of lubricant in grams each time regreasing takes place.

Keep in mind not to over-lubricate. It can cause problems.

Size	Amount of lubrication per carriage	
	gram	cm ³
LM3ZR	0.3	0.3
LM4ZR	0.5	0.5
LM5ZR	0.8	0.9